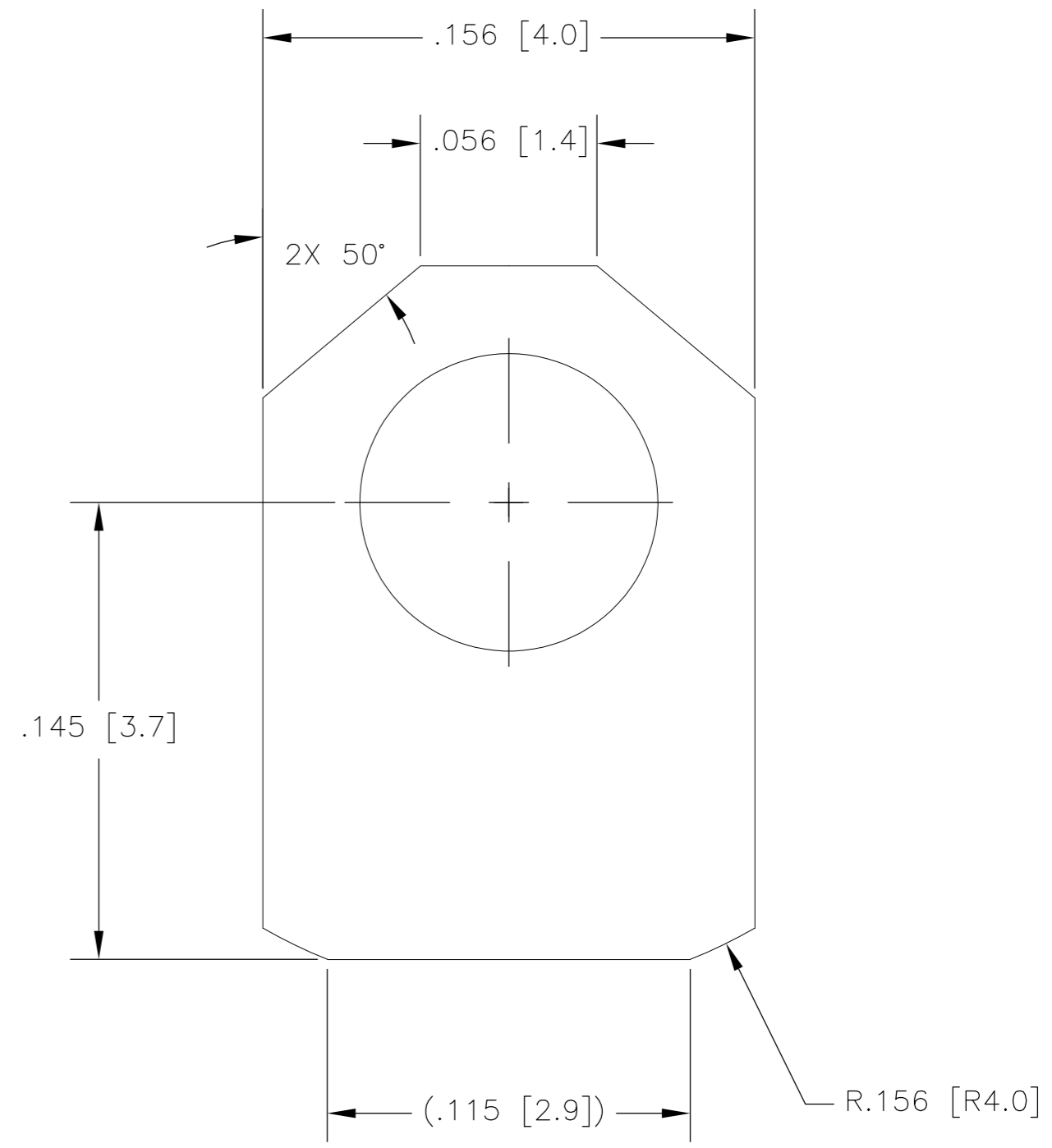
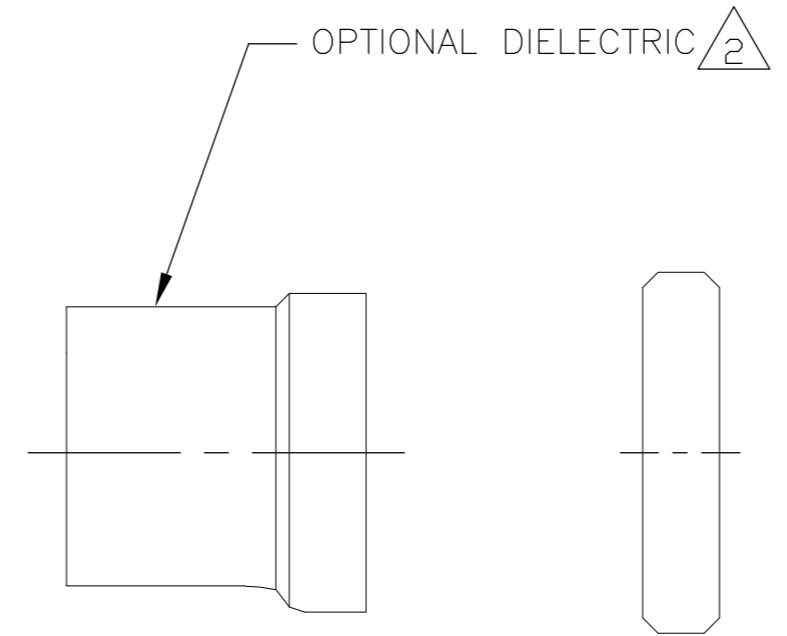
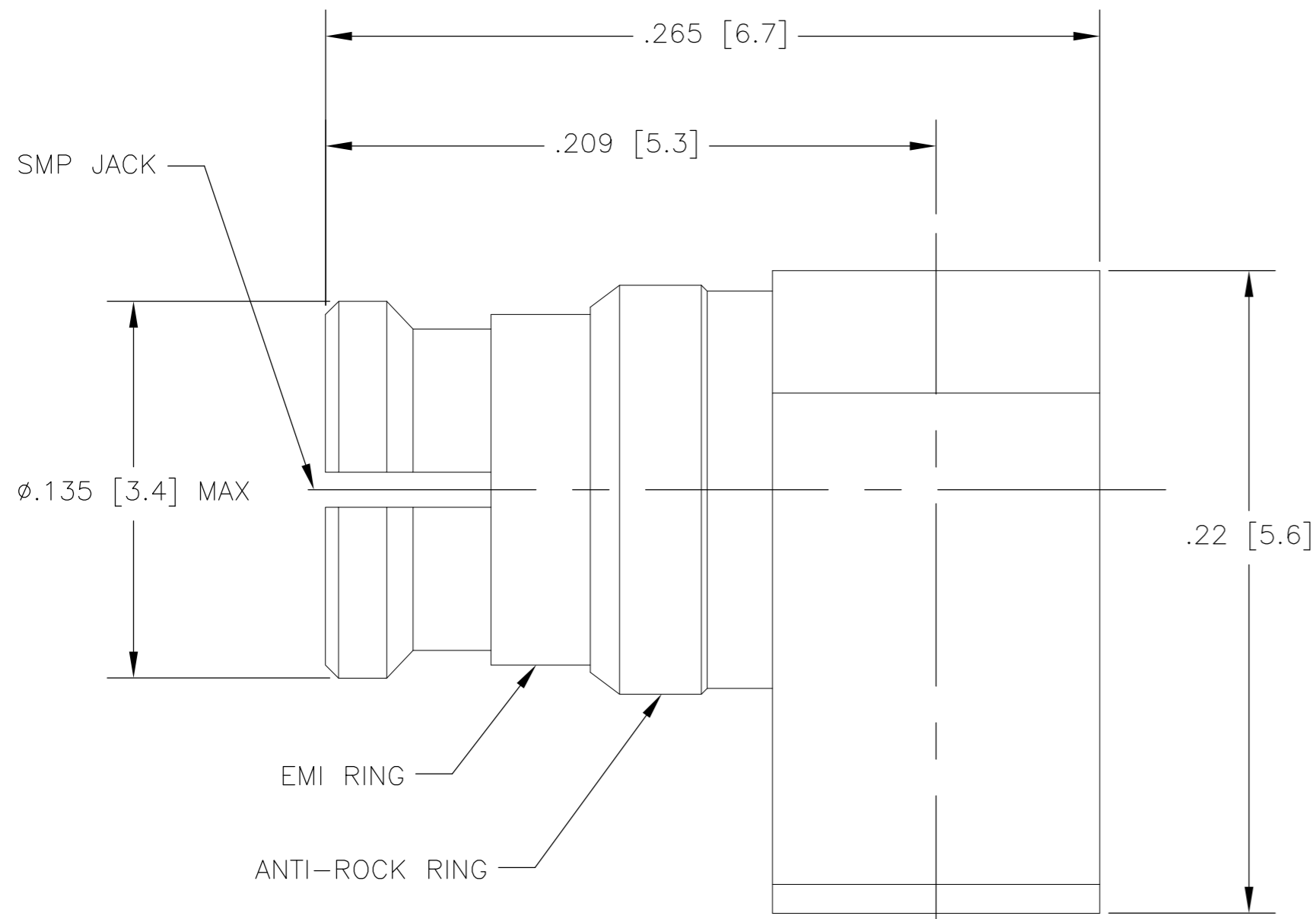


THIS DRAWING IS UNPUBLISHED. RELEASED FOR PUBLICATION  
 © COPYRIGHT BY TYCO ELECTRONICS CORPORATION. ALL INTERNATIONAL RIGHTS RESERVED.

LOC	DIST	REVISIONS					
AJ	00	P	LTR	DESCRIPTION	DATE	DWN	APVD
		B		REV PER ECO 09-024860	09NOV2009	KF	JO

△1 NOT TESTED OR VERIFIED.  
 △2 OPTIONAL DIELECTRIC APPLIES TO -2 ONLY.



ELECTRICAL	MECHANICAL	ENVIRONMENTAL	HOUSING	BERYLLIUM COPPER	GOLD PLATE
Nominal Impedance (Ohms) 50	Force to Engage (Lbs MAX) 15	TEMPERATURE RATING -65°C TO +125°C			
Frequency Range (GHz) DC to 26.5	Disengage (Lbs MIN) 2.0	Vibration MIL-STD-202, Method 204, Condition D	DIELECTRIC	PTFE FLUOROCARBON	N/A
Volt Rating (VRMS MAX) @ Sea Level 250	Center Contact Retention 1.5 Lbs MIN	Thermal Shock MIL-STD-202, Method 107, Condition B,	CENTER CONTACT CONTACT FINGER ANTI-ROCK RING EMI RING	BERYLLIUM COPPER	GOLD PLATE
△1 VSWR 1.25 MAX @ 26.5 GHz	Durability 100 cycles	Corrosion - MIL-STD-202, Method 101, Condition B	COMPONENT	MATERIAL	FINISH
△1 Insertion Loss .12f GHz dB MIN					
Corona, 70,000 Ft (VRMS MIN) 190					
Dielectric Withstanding Voltage (VRMS MIN) @ Sea Level 500	DESIGNED FOR USE WITH .085 DIA S.R.				
Contact Resistance (Milliohms MAX)	CABLE ENTRY DIAMETER MINIMUM				
Center Contact 6.0	HOUSING .089				
Outer Contact 2.0					
Cable to Housing .05					
RF High Potential @ Sea Level (VRMS MIN @ 5 MHz) 325					
I.R.(Megohms MIN) 5000					

.XXX = in  
 XX.X = mm (REF)

△2 △1 1056554-2  
 1056554-1  
 PART NUMBER

THIS DRAWING IS A CONTROLLED DOCUMENT.		DWN RMF 15APR1993	Tyco Electronics Corporation Harrisburg, PA 17105-3608	
DIMENSIONS: INCHES	TOLERANCES UNLESS OTHERWISE SPECIFIED:	CHK -	APVD D. CAMELIO 21APR1993	NAME
	0 PLC ± -		PRODUCT SPEC	SMP RIGHT ANGLE CABLE JACK DIRECT SOLDER ATTACHMENT
	1 PLC ± -		APPLICATION SPEC INSTRUCTION SHEET 408-04740	SIZE A2 CAGE CODE 00779 DRAWING NO C=1056554
	2 PLC ± -		WEIGHT -	RESTRICTED TO -
	3 PLC ± .005		CUSTOMER DRAWING	SCALE 201 SHEET 1 of 1 REV B
	4 PLC ± -			
	ANGLES ± 1°			
MATERIAL SEE TABLE	FINISH SEE TABLE			

1056554

A