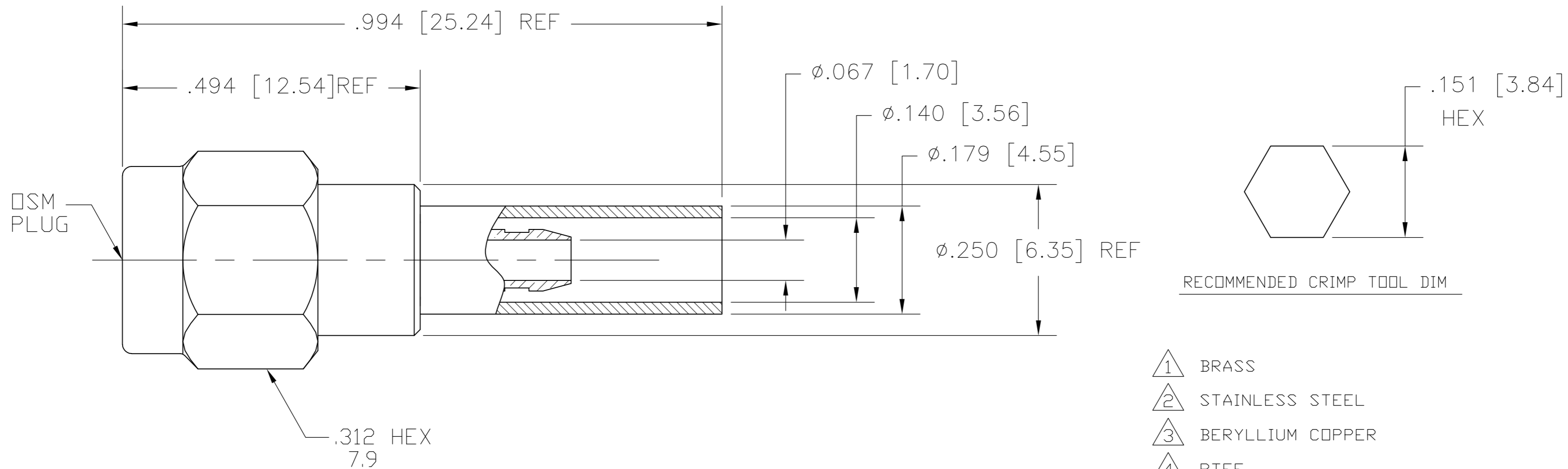


THIS DRAWING IS UNPUBLISHED. RELEASED FOR PUBLICATION
 © COPYRIGHT BY TYCO ELECTRONICS CORPORATION. ALL RIGHTS RESERVED.

LOC	DIST	REVISIONS			
P	LTR	DESCRIPTION	DATE	DWN	APVD
AJ	00	A1	REVISED PER ECO-09-026299	26Nov2009	AM BOB



- ① BRASS
- ② STAINLESS STEEL
- ③ BERYLLIUM COPPER
- ④ PTFE
- ⑤ SILICONE RUBBER
- ⑥ GOLD PLATE
- ⑦ NICKEL PLATE
- ⑧ PASSIVATE

ELECTRICAL	MECHANICAL	ENVIRONMENTAL
Nominal Impedance (Ω ms) <u>50</u>	Interface Dimensions MIL-STD-348A, Fig. 310.1	TEMPERATURE RATING -65° TO $+165^{\circ}$ DURABILITY:500 CYCLES
Frequency Range (GHz) <u>DC to 12.4</u>	Recommended Mating Torque <u>7-10 In-Lbs</u>	
Volt Rating (VRMS MAX) @ Sea Level <u>250</u>	Mating Characteristics: Insertion (MAX Lbs) <u>N/A</u> Withdrawal (MIN Oz) <u>N/A</u>	$.XXX = \text{in}$ $X.XX = \text{mm}$
VSWR <u>1.15 + .02f(GHz)</u>	Force to Engage and Disengage (In-Lbs MAX) <u>2</u>	
Insertion Loss (dB MAX) <u>.07 \sqrt{f} GHz</u>	Center Contact Captivation Axial (Lbs) <u>6 Min</u> Radial (In-Oz) <u>N/A</u>	
Dielectric Withstanding Voltage (VRMS MIN) @ Sea Level <u>750</u>	Cable Retention Axial Force (Lbs) <u>20 MIN</u> Torque (In-Oz) <u>N/A</u> Weight (Grams) <u>TBD</u>	
Contact Resistance (Milliohms MAX) Center Contact <u>5.0</u> Outer Contact <u>3.0</u> Cable to Housing <u>0.5</u>		
RF High Potential @ Sea Level (VRMS MIN @ 5 MHz) <u>500</u>		
I.R.(Megohms MIN) <u>10,000</u>		

① ⑦	① ⑦	④	① ⑥	① ⑦	③	⑤	1056436-3
② ⑧	② ⑧	④	① ⑥	① ⑦	③	⑤	1056436-1
HOUSING	COUPLING NUT	DIELECTRIC	CENTER CONTACT	FERRULE	RETAINING RING	GASKET	TE PN.

THIS DRAWING IS A CONTROLLED DOCUMENT.		DWN ANSON MA 23Nov2009	Tyco Electronics Corporation Kunshan, Jiangsu, RPC 215312	
DIMENSIONS: INCHES		CHK RITA ZUO 23Nov2009	NAME	
TOLERANCES UNLESS OTHERWISE SPECIFIED:		APVD BOB_ZHAO 23Nov2009	OSM STRAIGHT CABLE(RD-316/U) PLUG CRIMP ATTACHMENT	
0 PLC ± -		PRODUCT SPEC	SIZE	CAGE CODE
1 PLC ± -		108-112002	A2	00779
2 PLC ± -		APPLICATION SPEC	DRAWING NO	RESTRICTED TO
3 PLC ± .005		408-4661	C=1056436	-
4 PLC ± -		WEIGHT -	SCALE	SHEET
ANGLES ± 1°		CUSTOMER DRAWING	5:1	1 of 1
FINISH -		REV	A1	