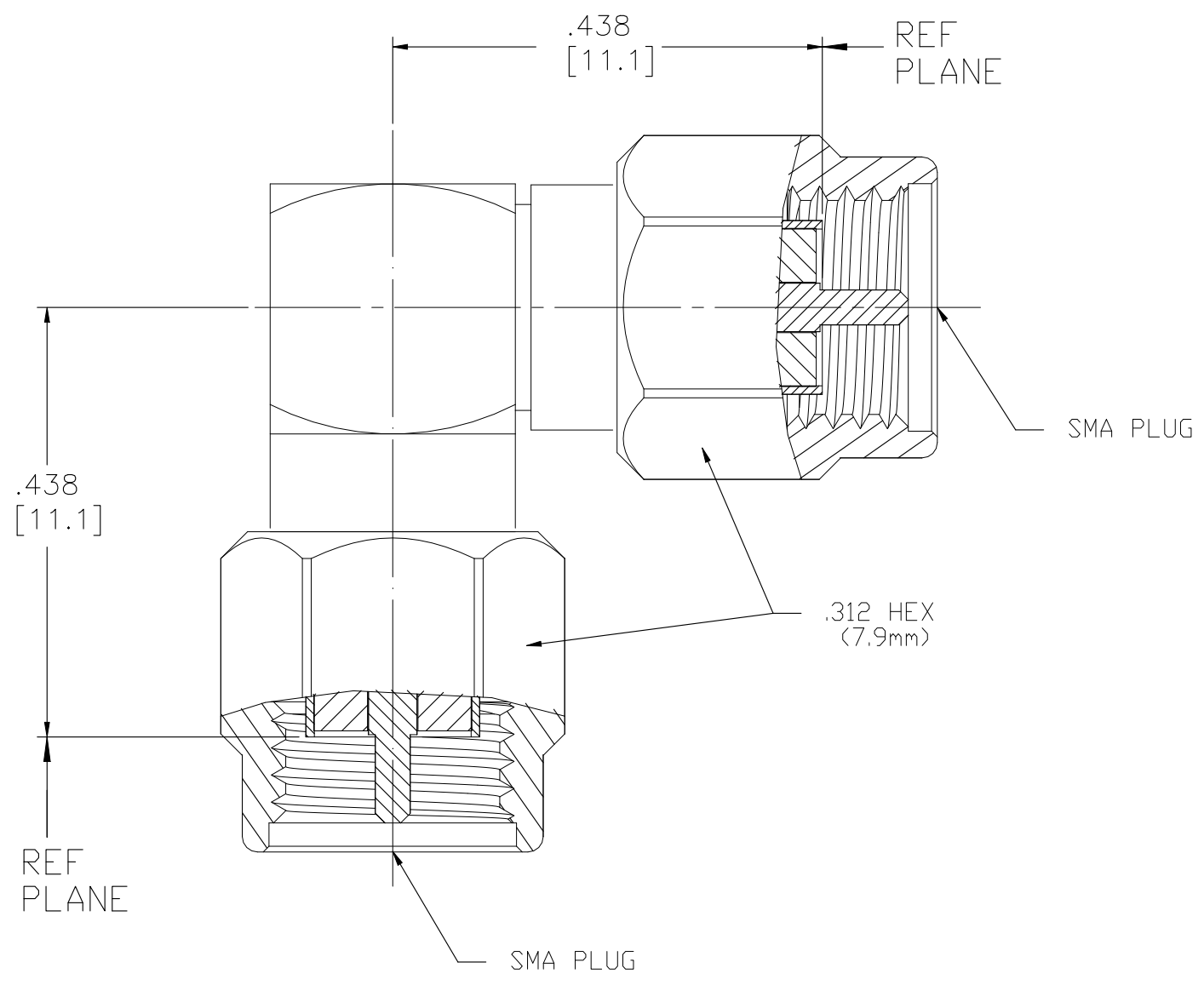


| REVISIONS |     |                           |           |     |      |
|-----------|-----|---------------------------|-----------|-----|------|
| P         | LTR | DESCRIPTION               | DATE      | DWN | APVD |
|           | A1  | REVISED PER ECR-21-103794 | 03JUN2021 | RS  | WK   |



| ELECTRICAL  | MECHANICAL                                      | ENVIRONMENTAL  |
|---|---|--|
| Nominal Impedance (Ohms) 50                                 | Interface Dimensions MIL-STD-348A, Fig. 310.1,2 | Temperature Rating -65°C to +125°C                                   |
| Frequency Range (GHz) DC to 18                              | Recommended Mating Torque 7 to 10               | Vibration MIL-STD-202, Method 204, Condition D                       |
| Volt Rating (VRMS MAX) @ Sea Level 335                      | Mating Characteristics: Insertion (MAX Lbs) 3   | Shock MIL-STD-202, Method 213, Condition I                           |
| VSWR 1.15 + .015<f(GHz)                                     | Withdrawal (MIN Oz) 1                           | Thermal Shock MIL-STD-202, Method 107, Condition B, Except High Temp |
| Insertion Loss (dB MAX) .06√f(GHz)                          | Force to Engage and Disengage (In-Lbs MAX) 2    | Moisture Resistance MIL-STD-202, Method 106                          |
| RF Leakage (dB MIN) -(90-f(GHz))                            | Center Contact Captivation Axial (Lbs) 6        | Corrosion - MIL-STD-202, Method 101, Condition B, 5% salt spray      |
| Corona, 70,000 Ft (VRMS MIN) 250                            | Radial (In-Oz) 4                                |  |
| Dielectric Withstanding Voltage (VRMS MIN) @ Sea Level 1000 | Cable Retention Axial Force (Lbs) N/A           |  |
| Contact Resistance (Milliohms MAX) Center Contact 2         | Torque (In-Oz) N/A                              |  |
| Outer Contact 2   | Weight (Grams) TBD                              |  |
| Cable to Housing N/A  |   |  |
| RF High Potential @ Sea Level (VRMS MIN @ 5 MHz) 670        |   |  |
| I.R.(Megohms MIN) 10,000                                    |   |  |

.XXX = in  
XX.X = mm

THIS DRAWING IS A CONTROLLED DOCUMENT.

| DIMENSIONS: INCHES | TOLERANCES UNLESS OTHERWISE SPECIFIED: |
|--------------------|--|
|                    | 0 PLC ± -                              |
|                    | 1 PLC ± -                              |
|                    | 2 PLC ± -                              |
|                    | 3 PLC ± .005                           |
|                    | 4 PLC ± -                              |
|                    | ANGLES ± 1°                            |
| MATERIAL           | FINISH                                 |
| -                  | ± 1/64                                 |

| QUANTITY PER ASSY | PARTS LIST                               |
|-------------------|--|
| 1                 | PASSIVATE STAINLESS STEEL CAP 7          |
| 2                 | - SILICONE RUBBER GASKET 6               |
| 2                 | - BeCu RETAINING RING 5                  |
| 2                 | PASSIVATE STAINLESS STEEL COUPLING NUT 4 |
| 1                 | PASSIVATE STAINLESS STEEL HOUSING 3      |
| 1                 | - PTFE INSULATION 2                      |
| 1                 | Au BeCu CENTER CONTACT 1                 |
| -1                | PLATING MATERIAL DESCRIPTION ITEM        |

STE TE Connectivity

SMA RIGHT ANGLE PLUG TO PLUG ADAPTER

|                      |      |      |           |            |               |
|----------------------|------|------|-----------|------------|---------------|
| DWN RR 12-12-79      | NAME | SIZE | CAGE CODE | DRAWING NO | RESTRICTED TO |
| CHK R SMITH 12-14-79 |      | A3   | 00779     | C-1055047  | -             |
| APVD PFH 12-14-79    |      |      |           |            |               |
| PRODUCT SPEC         |      |      |           |            |               |
| APPLICATION SPEC     |      |      |           |            |               |
| WEIGHT -             |      |      |           |            |               |

CUSTOMER DRAWING SCALE 6:1 SHEET 1 OF 1 REV A1