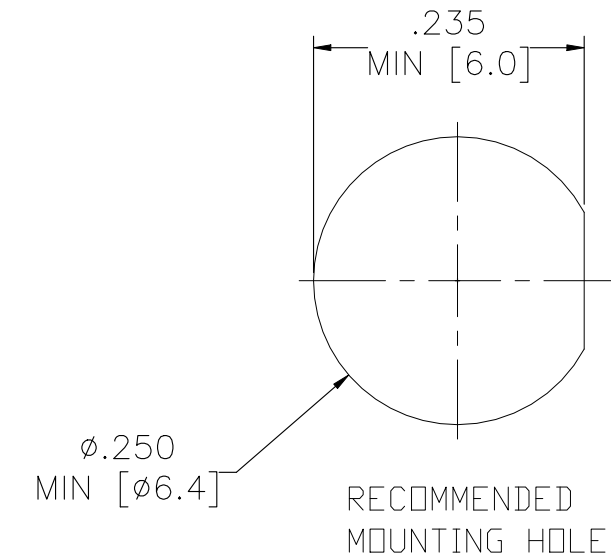
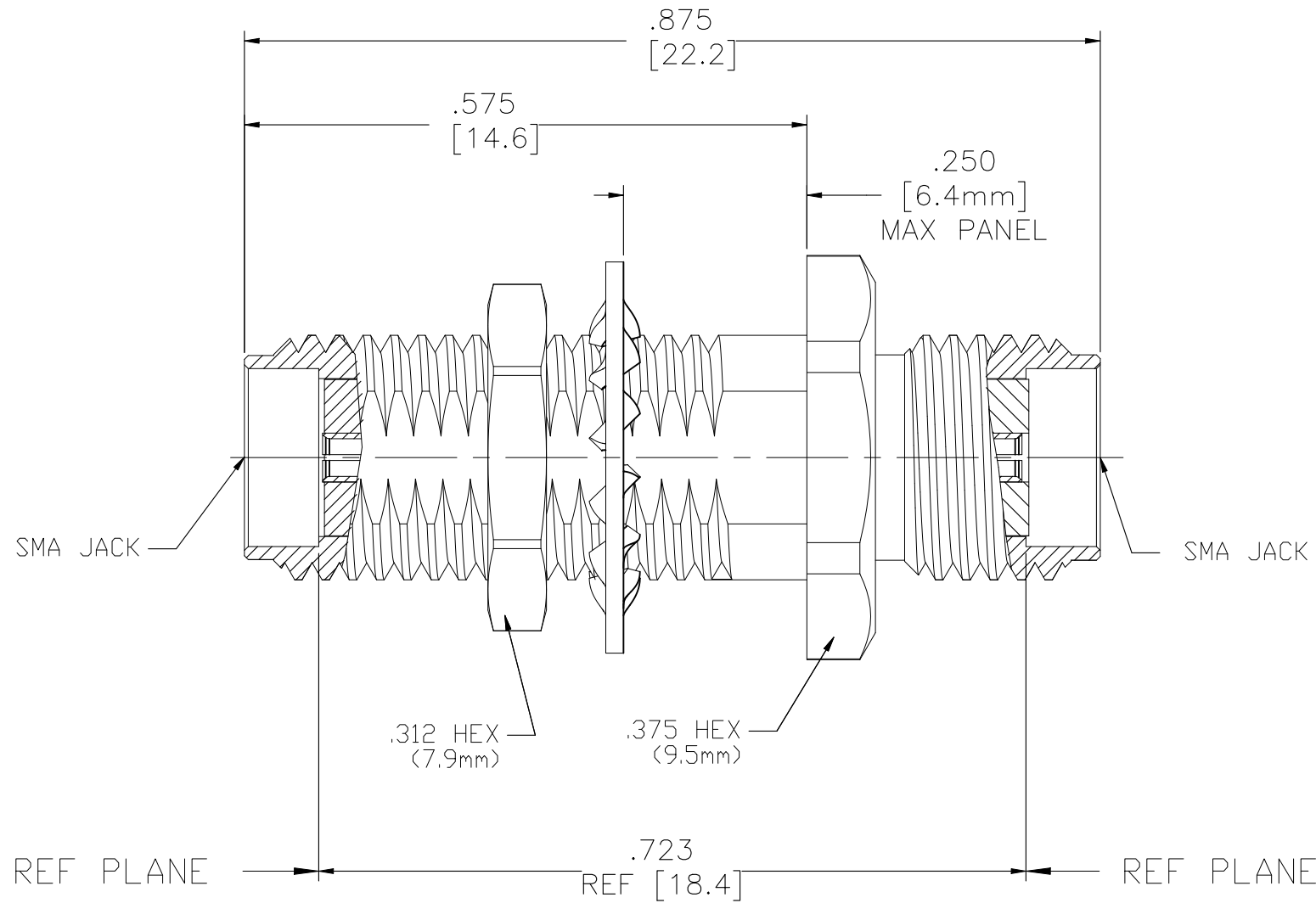


P	LTR	DESCRIPTION	DATE	DWN	APVD
	A1	REVISED PER ECR-21-103794	03JUN2021	RS	WK



ELECTRICAL	MECHANICAL	ENVIRONMENTAL
Nominal Impedance (Ohms) 50	Interface Dimensions MIL-STD-348, Fig. 310.2	Temperature Rating -65°C to +165°C
Frequency Range (GHz) DC to 18	Recommended Mating Torque 7-10 In-Lbs	Vibration MIL-STD-202, Method 204, Condition D
Volt Rating (VRMS MAX) @ Sea Level 335	Mating Characteristics: Insertion (MAX Lbs) 3.0	Shock MIL-STD-202, Method 213, Condition I
VSWR 1.08+.008fGHz	Withdrawal (MIN Oz) 1.0	Thermal Shock MIL-STD-202, Method 107, Condition C
Insertion Loss (dB MAX) .06 √fGHz	Force to Engage and Disengage (In/Lbs MAX) 2.0	Moisture Resistance MIL-STD-202, Method 106, Except 7b (Vibration) Shall Be Omitted
RF Leakage (dB MIN) -(90 - f(GHz))	Center Contact Captivation: Axial (Lbs) 10.0	Corrosion - MIL-STD-202, Method 101, Condition B, 5% salt spray
Corona, 70,000 Ft (VRMS MIN) 250	Radial (In/Oz) N/A	
Dielectric Withstanding Voltage (VRMS MIN) @ Sea Level 1000	Weight (Grams) TBD	
Contact Resistance (Milliohms MAX): Center Contact 4.0, Outer Contact 2.0		
RF High Potential @ Sea Level (VRMS MIN @ 5 MHz) 670		
I.R.(Megohms MIN) 10,000		

.XXX = in
XX.X = mm

THIS DRAWING IS A CONTROLLED DOCUMENT.

DIMENSIONS: INCHES	TOLERANCES UNLESS OTHERWISE SPECIFIED:
	0 PLC ± -
	1 PLC ± -
	2 PLC ± -
	3 PLC ± .005
	4 PLC ± -
	ANGLES ± 1°
MATERIAL -	FINISH ±1/64

QUANTITY PER ASSY	PARTS LIST
1	Au STAINLESS STEEL LOCKWASHER 5
1	Au STAINLESS STEEL MOUNTING NUT 4
1	Au STAINLESS STEEL HOUSING 3
1	- PTFE INSULATION 2
1	Au BeCu CENTER CONTACT 1
-1	PLATING MATERIAL DESCRIPTION ITEM

STE TE Connectivity

SMA JACK TO JACK ADAPTER BULKHEAD FEEDTHROUGH

APVD S. T. M. 11/6/90

NAME

SIZE A3 CAGE CODE 00779 DRAWING NO. C-1054880 RESTRICTED TO -

SCALE 6:1 SHEET 1 OF 1 REV A1