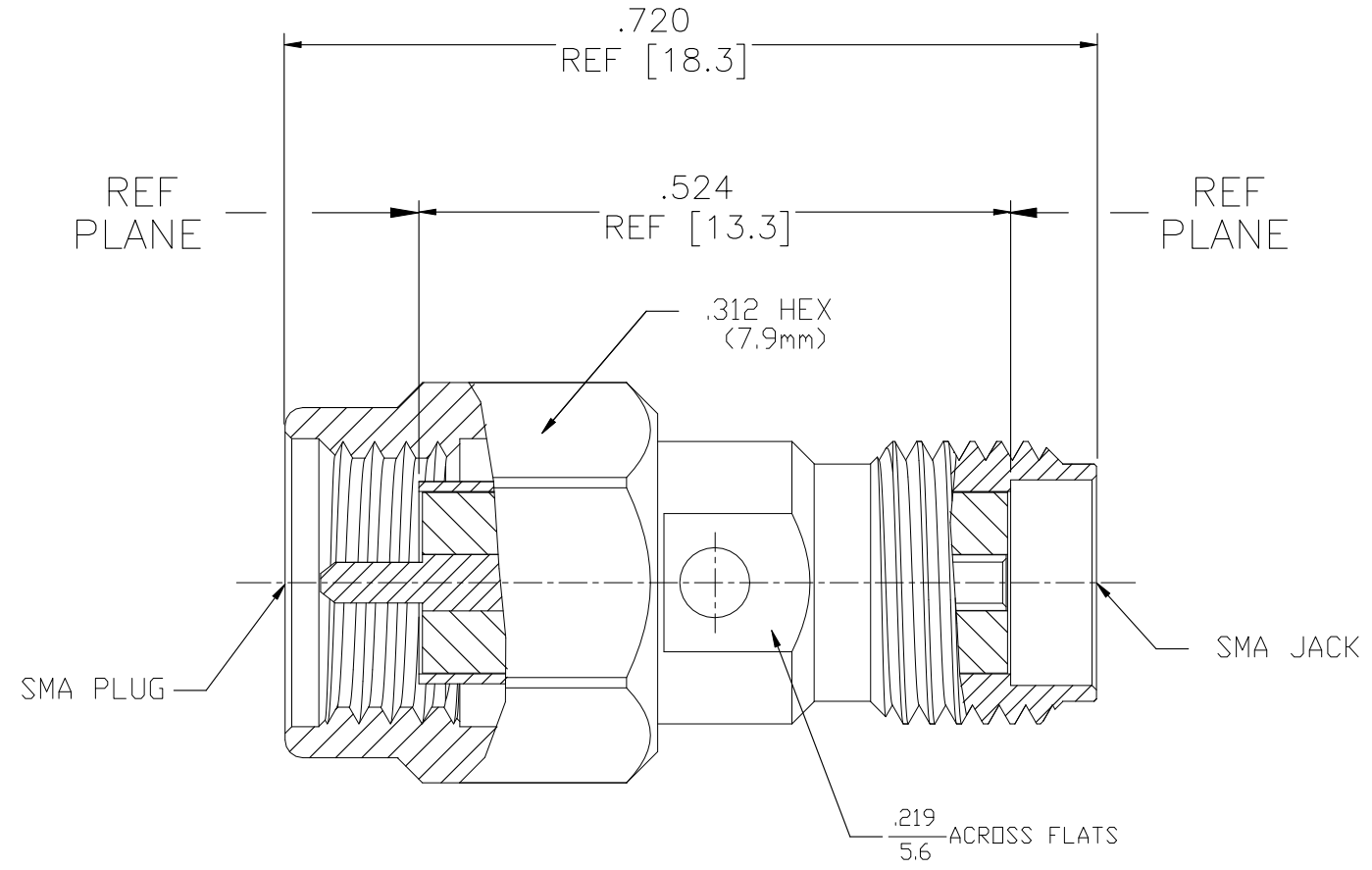


REVISIONS					
P	LTR	DESCRIPTION	DATE	DWN	APVD
	B1	REVISED PER ECR-21-103794	03JUN2021	RS	WK



ELECTRICAL	MECHANICAL	ENVIRONMENTAL
Nominal Impedance (Ohms) <u>50</u>	Interface Dimensions MIL-STD-348A Fig. 310.1 & 310.2	TEMPERATURE RATING <u>-65°C TO 125°C</u>
Frequency Range (GHz) DC to 18	Recommended Mating Torque <u>7-10 in-Lb</u>	Vibration MIL-STD-202, Method 204, Condition D
Volt Rating (VRMS MAX) @ Sea Level <u>335</u>	Mating Characteristics: Insertion (MAX Lbs) <u>3</u>	Shock MIL-STD-202, Method 213, Condition I
VSWR <u>1.05 + .005f(GHz)</u>	Withdrawal (MIN Oz) <u>1</u>	Thermal Shock MIL-STD-202, Method 107, Condition B, EXCEPT HIGH TEMP SHALL BE +155°C
Insertion Loss (dB MAX) <u>.03 √f(GHz)</u>	Force to Engage and Disengage (In-Lbs MAX) <u>2</u>	Moisture Resistance MIL-STD-202, Method 106
RF Leakage (dB MIN) <u>[-60-f(GHz)]</u>	Center Contact Captivation Axial (Lbs) <u>6</u>	Corrosion - MIL-STD-202, Method 101, Condition B, 5% salt spray
Corona, 70,000 Ft (VRMS MIN) <u>250</u>	Coupling Proof Torque (In-Lbs MIN) <u>15</u>	
Dielectric Withstanding Voltage (VRMS MIN) @ Sea Level <u>1500</u>	Coupling Mechanism Retention Force (Lbs MIN) <u>60</u>	
Contact Resistance (Milliohms MAX) Center Contact <u>4.0</u>	Weight (Grams) <u>TBD</u>	
Outer Contact <u>2.0</u>		
Cable to Housing <u>N/A</u>		
RF High Potential @ Sea Level (VRMS MIN @ 5 MHz) <u>670</u>		
I.R.(Megohms MIN) <u>5,000</u>		

.XXX = in  
XX.X = mm

THIS DRAWING IS A CONTROLLED DOCUMENT.

DIMENSIONS: INCHES	TOLERANCES UNLESS OTHERWISE SPECIFIED:
	0 PLC ± -
	1 PLC ± -
	2 PLC ± -
	3 PLC ± .005
	4 PLC ± -
	ANGLES ± -
MATERIAL	FINISH
-	-

QUANTITY PER ASSY	PARTS LIST
1	SILICONE RUBBER GASKET 6
1	BeCu RETAINING RING 5
1	Au STAINLESS STEEL COUPLING NUT 4
1	Au STAINLESS STEEL HOUSING 3
1	PTFE INSULATION 2
1	Au BeCu CENTER CONTACT 1
-1	PLATING MATERIAL DESCRIPTION ITEM

DWN R.B.G 8/10/76		TE Connectivity	
CHK R.M.F 8/11/76			
APVD RB 8/27/76			
PRODUCT SPEC		NAME	
APPLICATION SPEC		SMA JACK TO PLUG ADAPTER (2082-5133-00)	
SIZE	CAGE CODE	DRAWING NO	RESTRICTED TO
A3	00779	C-1054425	-
CUSTOMER DRAWING		SCALE 6:1	SHEET 1 OF 1 REV B1