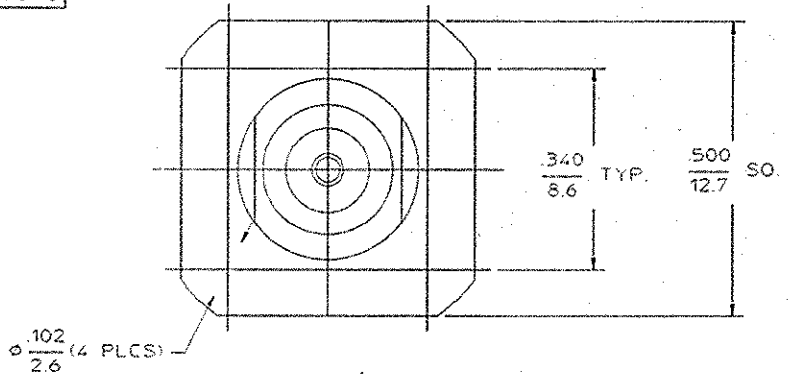


DESIGNED FOR USE WITH .141 S.R.	
CABLE ENTRY DIAMETER MINIMUM	
SLEEVE	.142
CONTACT	.040

REVISIONS			
REV	DESCRIPTION	DATE	APPROVED
01	RELEASED	10/4/96	<i>[Signature]</i>



ELECTRICAL
Nominal Impedance (Ohms) 50
Frequency Range (GHz) DC to 18
Volt Rating (VRMS MAX) @ Sea Level 500
VSWR 1.05 ±0.01 (1GHz)
Insertion Loss (dB MAX) .03 × √(F/GHz)
RF Leakage (dB MIN) -90 @ 2 to 3 GHz
Corona, 70,000 Ft (VRMS MIN) 375
Dielectric Withstanding Voltage (VRMS MIN) @ Sea Level 1,500
Contact Resistance (Milliohms MAX)
Center Contact 3.0
Outer Contact 2.0
Cable to Housing 0.5
RF High Potential @ Sea Level (VRMS MIN @ 5 MHz) 1,000
IR, Megohms MIN 5,000

MECHANICAL
Interface Dimensions MIL-STD-375A, Fig. 310-2
Recommended Mating Torque N/A
Mating Characteristics
Insertion (MAX Lbs) 2.0
Withdrawal (MIN Oz) 1.0
Force to Engage and Disengage (in-Lbs MAX) N/A
Center Contact Captivation Axial (Lbs) 6.0 MIN Radial (in-Oz) N/A
Cable Retention Axial Force (Lbs) 60 Torque (in-Oz) 55 Weight (Grams) TBD

ENVIRONMENTAL
Temperature Rating -65°C to +125°C
Vibration MIL-STD-202, Method D 204, Condition
Shock MIL-STD-202, Method 213, Condition 1
Thermal Shock MIL-STD-202, Method 107, Condition B, Except High Temp 115°C
Moisture Resistance MIL-STD-202, Method 106, No Measurements At High Humidity, IR, Shall Be At Least 200 Megohms Within 5 Min- utes After Removal From Humidity.
Corrosion - MIL-STD-202, Method 101, Condition B, 5% salt spray .XXX = in XX.X = mm (REF)

COMPONENT	MATERIAL	FINISH
HOUSING CLAMP NUT	STAINLESS STEEL PER ASTM-A484 AND ASTM- A582, TYPE 303	PASSIVATE PER 00-P-35
SLEEVE	BRASS PER ASTM-B-16, HALF HARD	GOLD PLATE PER MIL-G-45204
DIELECTRIC	TFE FLUOROCARBON PER ASTM-D-1457	N/A
CENTER CONTACT	BERYLLIUM COPPER PER ASTM-B-196 OR ASTM-B-197, ALLOY C17300, CONDITION H	GOLD PLATE PER MIL-G-45204

UNLESS OTHERWISE SPECIFIED DIMENSIONS ARE IN INCHES	DRAWN BY <i>[Signature]</i> DATE 8/30/96
PPAC .1/64 DEC .005 ANGLES 1°	CHECKED BY <i>[Signature]</i>
	APP'D BY <i>[Signature]</i> 10/4/96

USE ASS'Y PROCEDURE		TITLE 'OSM' STRAIGHT CABLE JACK SOLDER CLAMP ATTACHMENT M39012/82-3008 CAT E	
NO. 20-556		SIZE B	CODE IDENT NO. 26805
	SCALE 5:1		REV 01

Typo Customer P/N 1051094  
Rev 0 Page 1 of 1