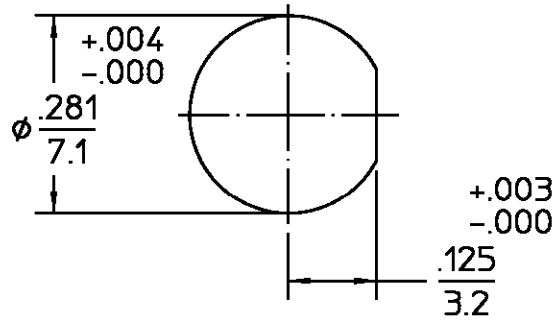


DESIGNED FOR USE WITH	.141 SR
CABLE ENTRY DIAMETER MINIMUM	
HOUSING	.141
CONTACT	.039

REVISIONS			
REV	DESCRIPTION	DATE	APPROVED
01 ₀	RELEASED	9/23/96	<i>RAC</i>



RECOMMENDED MOUNTING HOLE

ELECTRICAL	MECHANICAL	ENVIRONMENTAL
Nominal Impedance (Ohms) <u>50</u>	Interface Dimensions MIL-STD-348A, Fig. <u>310-2</u>	Temperature Rating <u>-65 TO +165°C</u>
Frequency Range (GHz) DC to <u>18</u>	Recommended Mating Torque <u>7-10 IN-LBS</u>	Vibration MIL-STD-202, Method 204, Condition D
Volt Rating (VRMS MAX) @ Sea Level <u>500</u>	Mating Characteristics: Insertion (MAX Lbs) <u>2</u>	Shock MIL-STD-202, Method 213, Condition I
VSWR <u>1.05 + 0.008F(GHz)</u>	Withdrawal (MIN Oz) <u>1</u>	Thermal Shock MIL-STD-202, Method 107, Condition B, Except High Temp 115°C
Insertion Loss (dB MAX) <u>.03 √F(GHz)</u>	Force to Engage and Disengage (In-Lbs MAX) <u>2</u>	Moisture Resistance MIL-STD-202, Method 106
RF Leakage (dB MIN) <u>-90</u>	Center Contact Captivation: Axial (Lbs) <u>N/A</u>	Corrosion - MIL-STD-202, Method 101, Condition B, 5% salt spray
Corona, 70,000 Ft (VRMS MIN) <u>375</u>	Radial (In-Oz) <u>N/A</u>	
Dielectric Withstanding Voltage (VRMS MIN) @ Sea Level <u>1,500</u>	Cable Retention: Axial Force (Lbs) <u>60</u>	
Contact Resistance (Milliohms MAX): Center Contact <u>3.0</u>	Torque (In-Oz) <u>55</u>	
Outer Contact <u>2.0</u>	Weight (Grams) <u>TBD</u>	
Cable to Housing <u>0.5</u>		
RF High Potential @ Sea Level (VRMS MIN @ 5 MHz) <u>1,000</u>		
LR.(Megohms MIN) <u>5,000</u>		

COMPONENT	MATERIAL	FINISH
HOUSING	STAINLESS STEEL PER ASTM-A484 AND ASTM-A582, TYPE 303	GOLD PLATE PER MIL-G-45204
LOCKWASHER	TFE FLUOROCARBON PER ASTM-D-1457	N/A
MOUNTING NUT	BERYLLIUM COPPER PER ASTM-B-196 OR ASTM-B-197, ALLOY C17300, CONDITION H	GOLD PLATE PER MIL-G-45204
DIELECTRIC	SILICONE RUBBER PER ZZ-R-765	N/A
CENTER CONTACT		
O-RING		

UNLESS OTHERWISE SPECIFIED DIMENSIONS ARE IN INCHES	DRAWN BY <u>K.LE</u> DATE <u>8-13-86</u>	 AMP Incorporated 140 Fourth Avenue Waltham, MA 02451-7599
FRAC. ± 1/64 DEC. ± .005 ANGLES ± 1°	CHECKED BY	
These drawings and specifications are the property of M/A COM Interconnect Div. and shall not be reproduced or copied or used in whole or in part as the basis for the manufacture or sale of item(s) without written permission.	APPD BY <i>RAC</i> DATE <u>9/23/96</u> USE ASSY PROCEDURE NO. A.P. <u>408-04840 (20-558)</u>	
TITLE "OSM" STRAIGHT BULKHEAD FEEDTHROUGH CABLE JACK DIRECT SOLDER ATTACHMENT		
SIZE <u>B</u>	CODE IDENT NO. <u>26805</u>	TITLE NO. <u>2004-8002-90</u>
SCALE <u>4:1</u>	REV <u>01₀</u>	SHEET <u>1 OF 1</u>