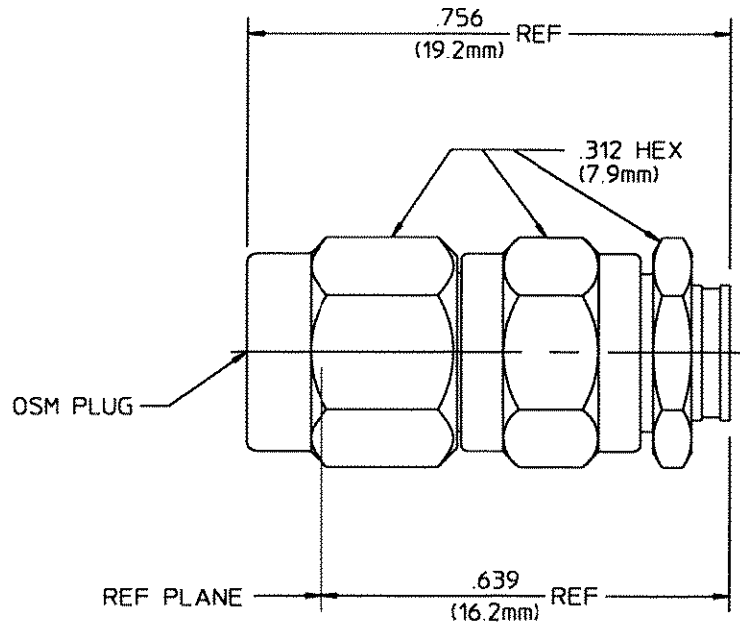


| REVISIONS | | | |
|-----------------|-------------|---------|--------------------|
| REV | DESCRIPTION | DATE | APPROVED |
| 01 ₀ | RELEASED | 2/22/89 | <i>[Signature]</i> |



| HOUSING COUPLING NUT CLAMP NUT | STAINLESS STEEL PER ASTM-A484 AND ASTM- A582, TYPE 303 | PASSIVATE PER 00-P-35 |
|--------------------------------------|--|---|
| DIELECTRIC | TFE FLUOROCARBON PER MIL-P-19468 AND FED SPEC L-P-403 | N/A |
| CENTER CONTACT | BERYLLIUM COPPER PER 00-C-530, ALLOY 173 | GOLD PLATE PER MIL-G-45204 OVER COPPER PLATE PER MIL-C-14550 |
| SLEEVE | BRASS PER 00-B-626, COMP. 360 | GOLD PLATE PER MIL-G-45204 OVER COPPER PLATE PER MIL-C-14550 |
| GASKET | SILICONE RUBBER PER ZZ-R-765 | N/A |
| RETAINING RING | BERYLLIUM COPPER PER 00-C-533 | N/A |
| COMPONENT | MATERIAL | FINISH |

- NOTES:
- DESIGNED FOR USE WITH .141 SEMI-RIGID CABLE
 - CAPTURED CENTER CONTACT

| CABLE ENTRY DIAMETER MINIMUM | |
|---------------------------------|------|
| SLEEVE | .145 |
| CONTACT | .041 |
| | |
| | |
| | |
| | |

UNLESS OTHERWISE SPECIFIED
DIMENSIONS ARE IN INCHES
TOLERANCE ON
FRAC. DEC. ANGLES
±.004 ±.002 ±°

These drawings and specifications are the property of Omni Spectra incorporated and shall not be reproduced or copied or used in whole or in part as the basis for the manufacture or sale of items without written permission.

| | |
|-----------------------------------|------------------------|
| DRAWN BY E. HOYLE | DATE 1/24/89 |
| DESIGNED BY L. CROSS | DATE 2/10/89 |
| APPROVED BY <i>[Signature]</i> | DATE 2/22/89 |
| USE ASSY PROCEDURE | |
| NO. A.P. <u>20-546</u> | |

Omni Spectra Omni Spectra, Inc.
Microwave Connector Division

TITLE SMA STRAIGHT CABLE PLUG
SOLDER CLAMP ATTACHMENT
M39012/79-3108 CAT E.

| | | | |
|-----------|-------------------------|--------------|------------------------|
| SIZE B | CODE IDENT NO. 26805 | 2001-8108-92 | REV 01 ₀ |
|-----------|-------------------------|--------------|------------------------|

SCALE 5:1 SHEET 1 OF 1

CUSTOMER 1050790
SHEET 1 OF 1
REV 0