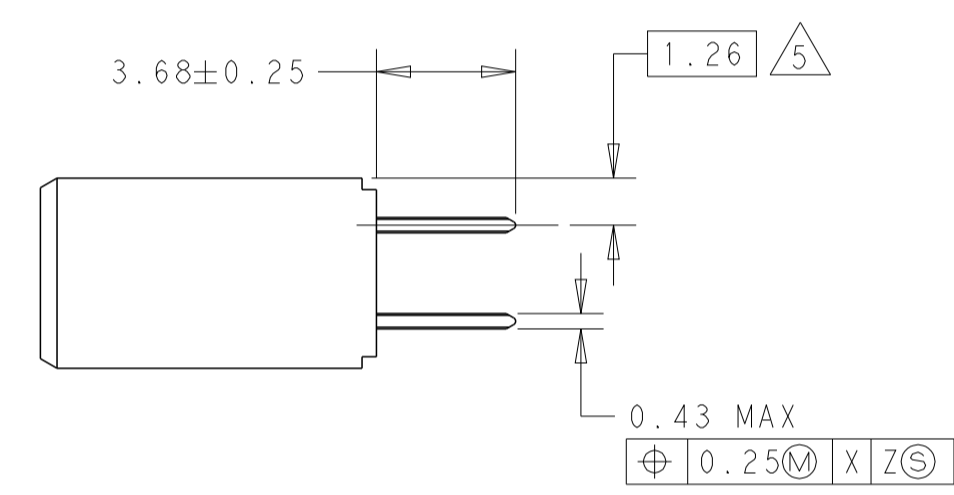
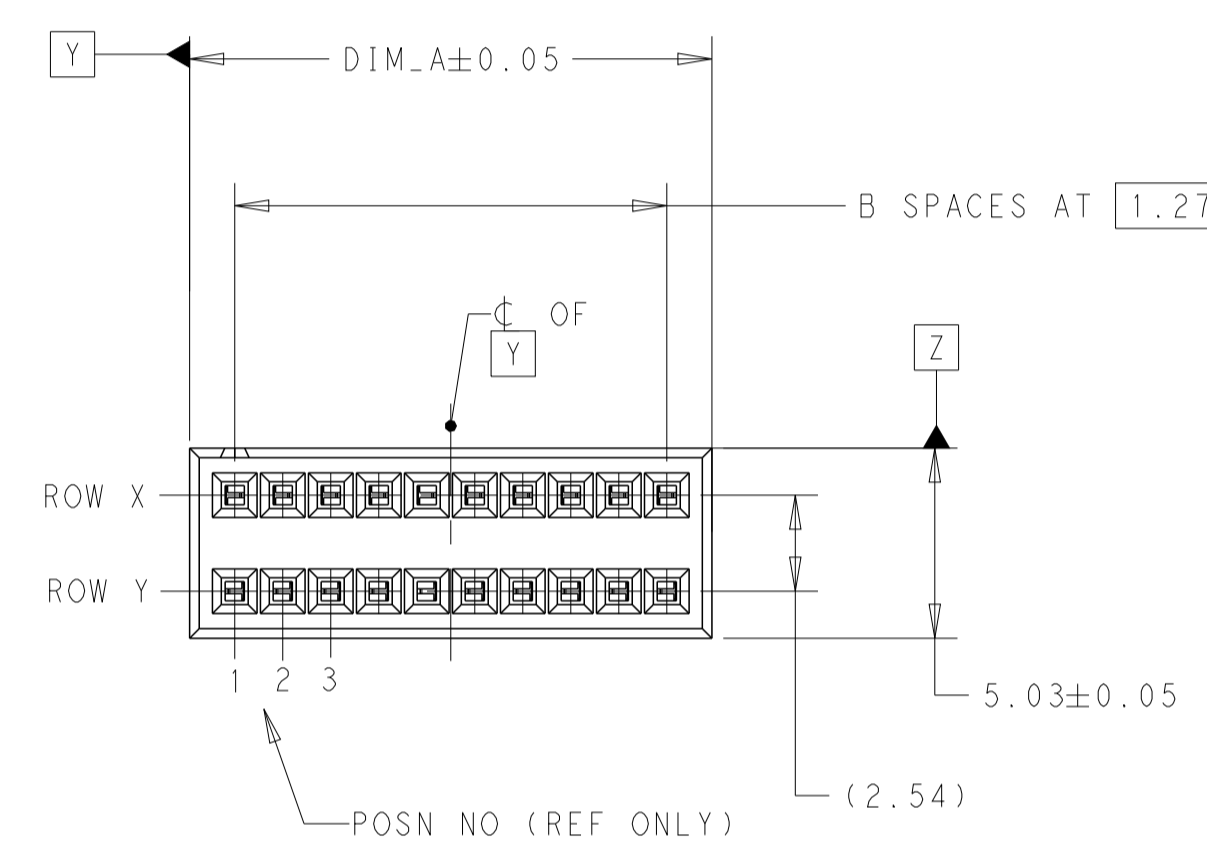
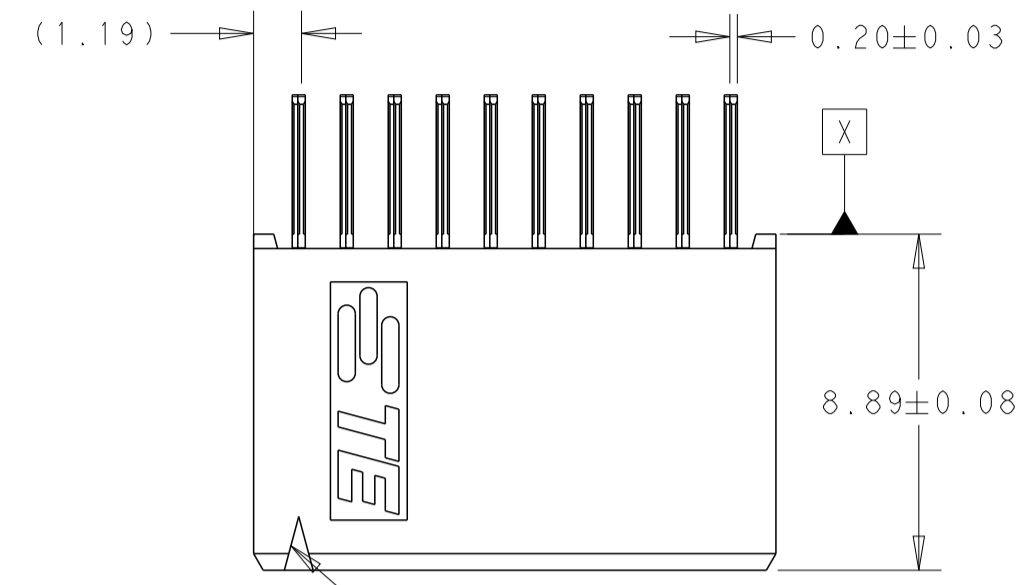
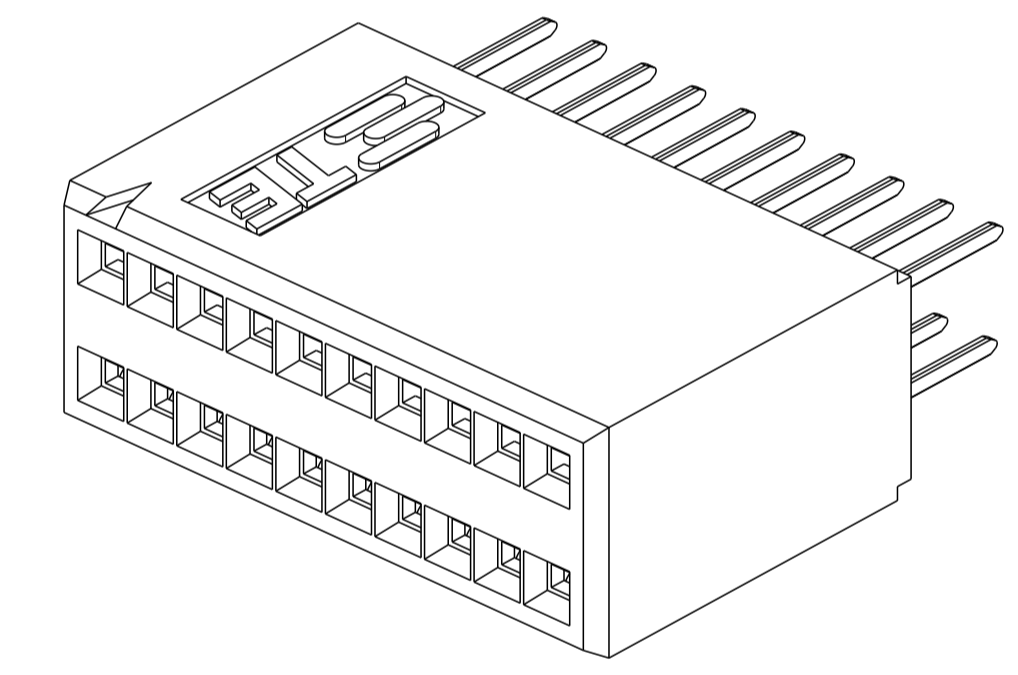


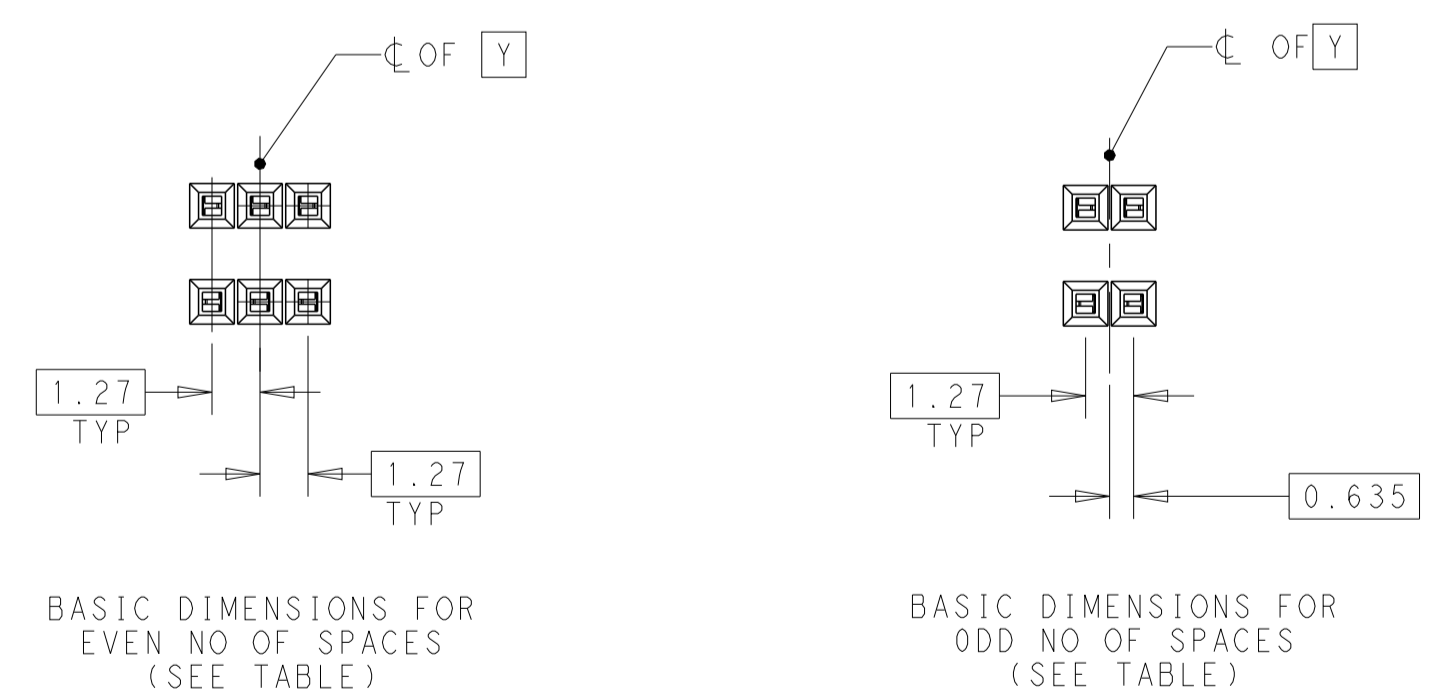
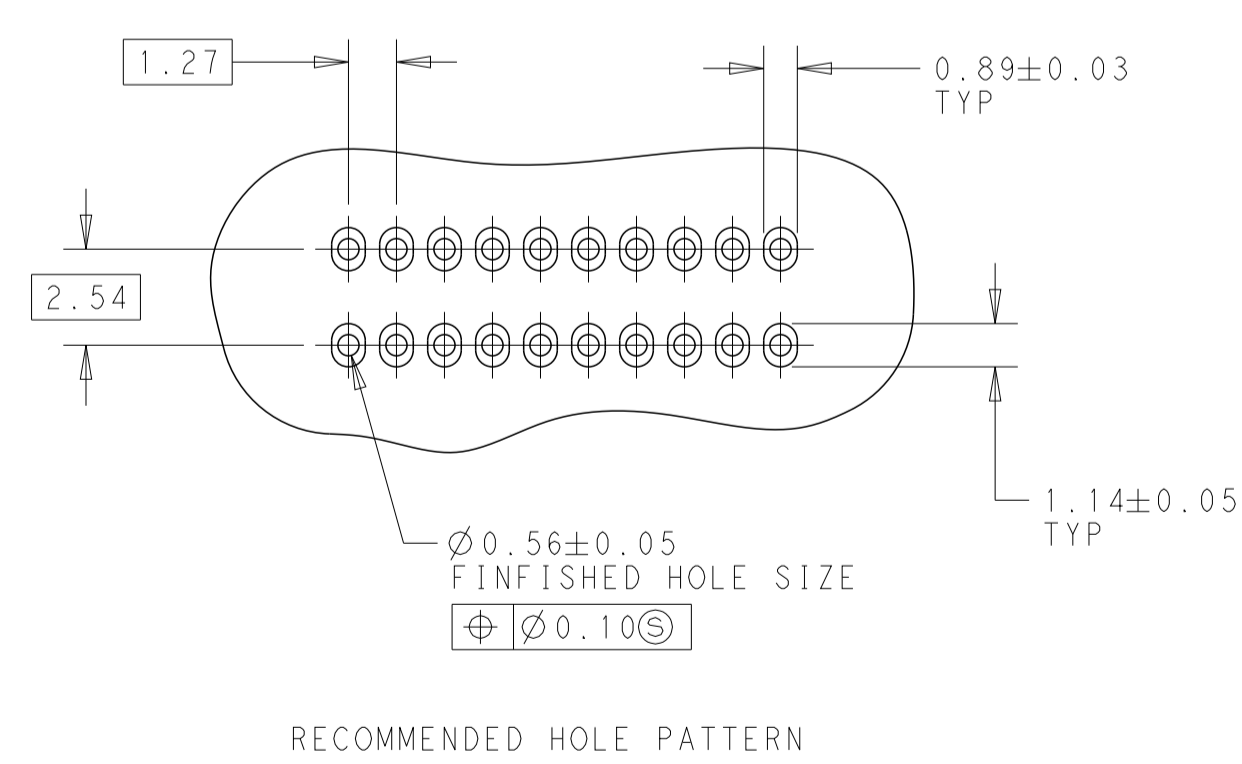
| REVISIONS | | | | |
|-----------|-----|-----------------------------------|-----------|-------|
| P | LTN | DESCRIPTION | DATE | APVD |
| P | | REDRAWN/REVISED PER ECO-17-001757 | 10NOV2017 | GR JO |
| | | | | |
| | | | | |



- △ CONTACT AREAS PLATED WITH 0.76µm GOLD, SOLDER TAILS PLATED WITH 3.81µm TIN-LEAD, ALL OVER 1.27µm NICKEL
- 2 NOTE DELETED.
- △ MATERIAL: HOUSING- LCP, COLOR-BLACK CONTACT- COPPER ALLOY
- 4 NOTE DELETED.
- △ THE NOTED DIMENSIONS APPLY AT THE INTERSECTION OF POST AND HOUSING
- 6 NOTE DELETED.
- △ CONTACT AREA PLATED WITH 0.76µm GOLD, SOLDER TAILS PLATED WITH 3.81µm TIN, ALL OVER 1.27µm NICKEL.
- 8 NOTE DELETED.
- △ FINISH: 0.03µm MIN GOLD ON GOLD PLATED AREA, 3.81µm MATTE IN TIN-LEAD ON TIN PLATED AREA. UNDER PLATING: 1.27µm NICKEL ON ENTIRE CONTACT
- △ FINISH: 0.03µm MIN GOLD ON GOLD PLATED AREA, 3.81µm MATTE IN TIN ON TIN PLATED AREA. UNDER PLATING: 1.27µm NICKEL ON ENTIRE CONTACT
- 11 NOTE DELETED.
- 12 NOTE DELETED.
- 13 NOTE DELETED.



SCALE 7:1



| FINISH | B SPACES | DIM_A | NO OF POSN | PART NO. | |
|--------|----------|-------|------------|------------|------------|
| △10 | 24 | 32.87 | 50 | 7-104744-7 | |
| | 19 | 26.52 | 40 | 7-104744-6 | |
| | 49 | 64.62 | 100 | 7-104744-5 | |
| | 39 | 51.92 | 80 | 7-104744-4 | |
| | 4 | 7.47 | 10 | 7-104744-3 | |
| | 14 | 20.17 | 30 | 7-104744-2 | |
| | 9 | 13.82 | 20 | 7-104744-1 | |
| | △7 | 24 | 32.87 | 50 | 5-104744-7 |
| | | 19 | 26.52 | 40 | 5-104744-6 |
| | | 49 | 64.62 | 100 | 5-104744-5 |
| 39 | | 51.92 | 80 | 5-104744-4 | |
| 4 | | 7.47 | 10 | 5-104744-3 | |
| 14 | | 20.17 | 30 | 5-104744-2 | |
| 9 | 13.82 | 20 | 5-104744-1 | | |

| FINISH | B SPACES | DIM_A | NO OF POSN | PART NO. | |
|--------|----------|-------|------------|------------|----------|
| △9 | 24 | 32.87 | 50 | 2-104744-7 | |
| | 19 | 26.52 | 40 | 2-104744-6 | |
| | 49 | 64.62 | 100 | 2-104744-5 | |
| | 39 | 51.92 | 80 | 2-104744-4 | |
| | 4 | 7.47 | 10 | 2-104744-3 | |
| | 14 | 20.17 | 30 | 2-104744-2 | |
| | 9 | 13.82 | 20 | 2-104744-1 | |
| | △7 | 24 | 32.87 | 50 | 104744-7 |
| | | 19 | 26.52 | 40 | 104744-6 |
| | | 49 | 64.62 | 100 | 104744-5 |
| 39 | | 51.92 | 80 | 104744-4 | |
| 4 | | 7.47 | 10 | 104744-3 | |
| 14 | | 20.17 | 30 | 104744-2 | |
| 9 | 13.82 | 20 | 104744-1 | | |

THIS DRAWING IS A CONTROLLED DOCUMENT. DIMENSIONS: mm. TOLERANCES UNLESS OTHERWISE SPECIFIED: 0 PLC ±, 1 PLC ±0.3, 2 PLC ±0.13, 3 PLC ±, 4 PLC ±, ANGLES ±, FINISH ±. MATERIAL: TBD. CUSTOMER DRAWING. DWN: G. RAMESH, 10NOV2017. CHK: J. OLSON, 10NOV2017. APVD: J. OLSON, 10NOV2017. NAME: RECEPTACLE ASSEMBLY, VERTICAL, DOUBLE ROW, AMPMODU System 50. SIZE: A100779. CAGE CODE: 104744. SCALE: 5:1. SHEET 1 OF 1. REV P.