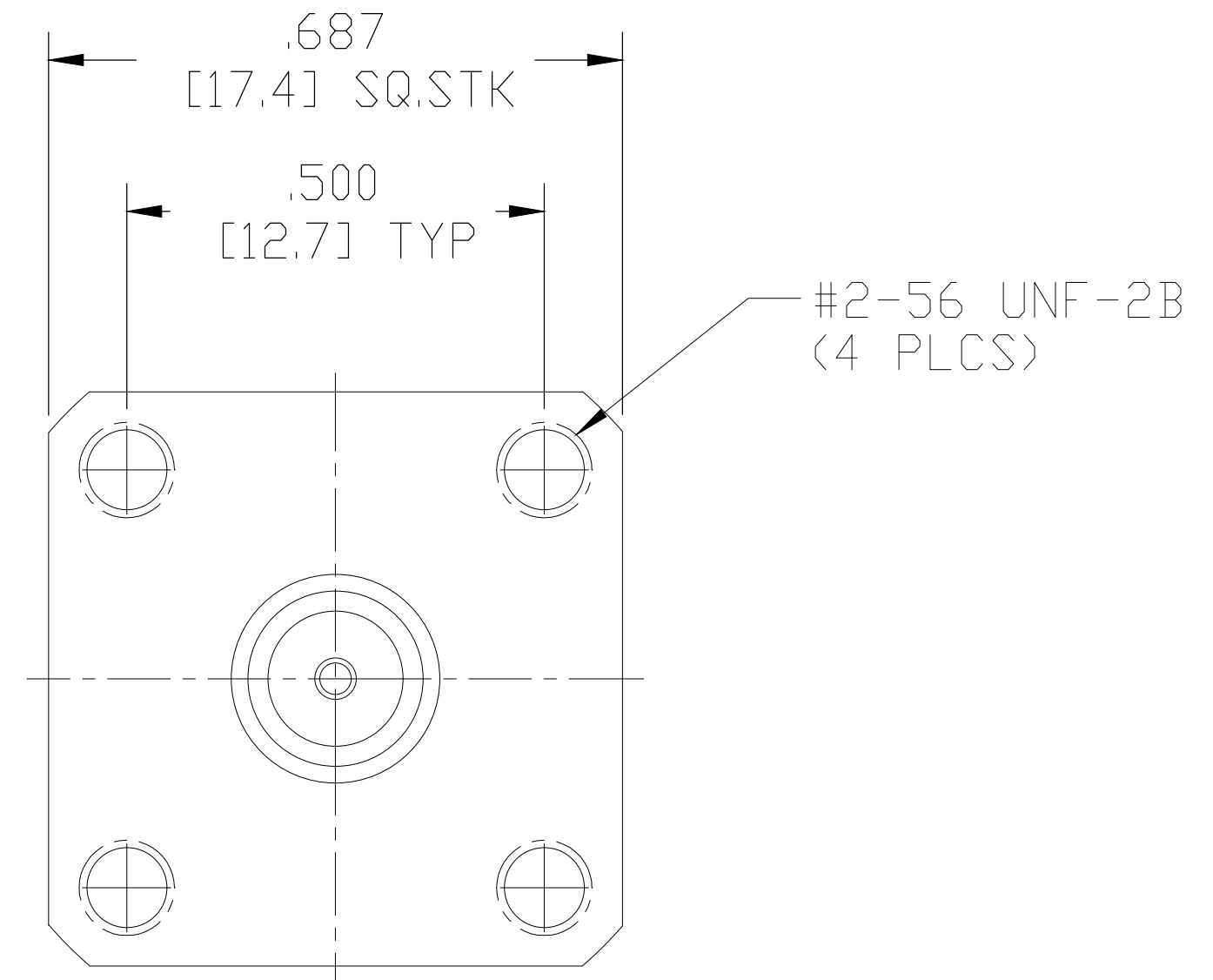
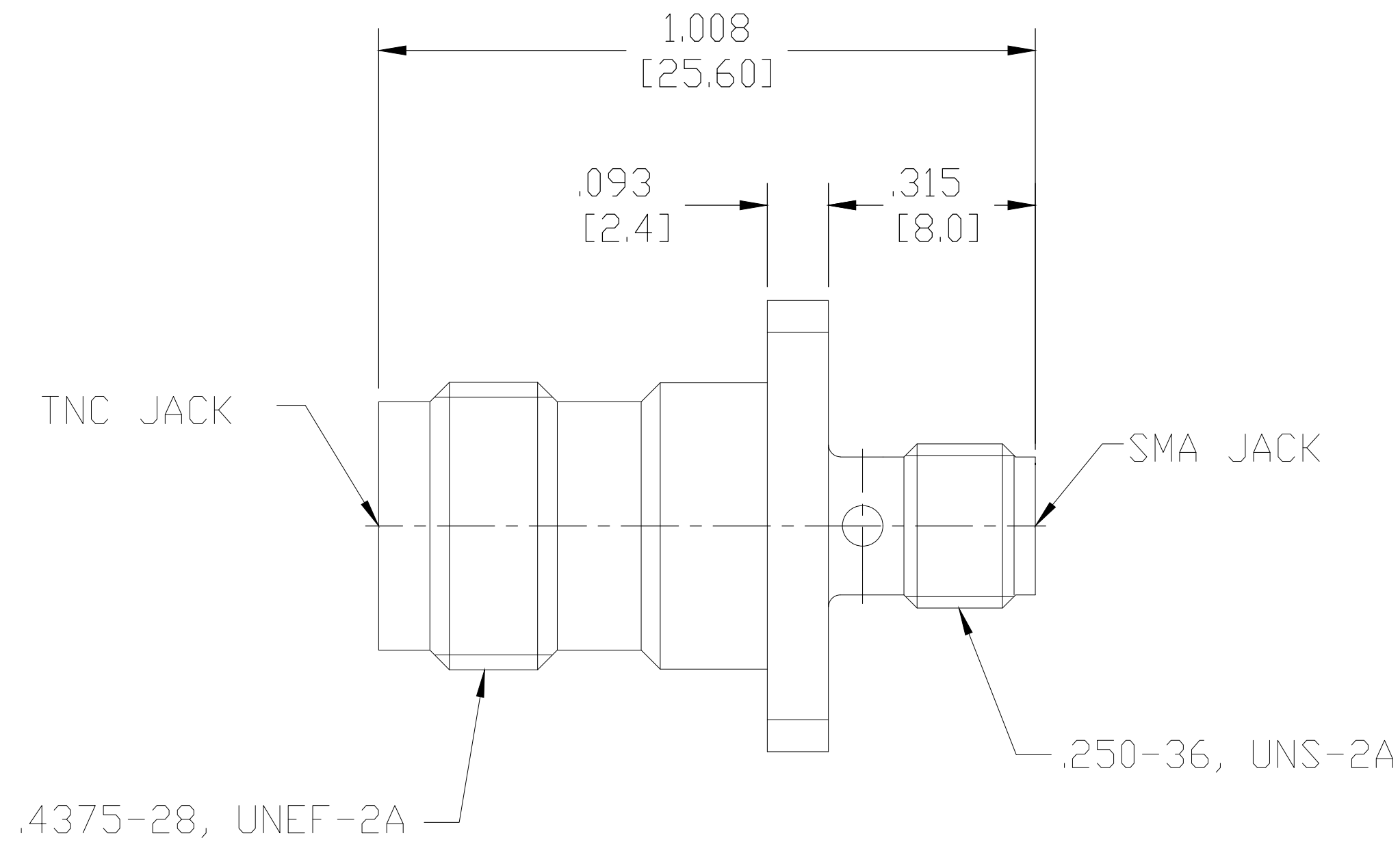


REVISIONS					
P	LTR	DESCRIPTION	DATE	DWN	APVD
C		REV PER ECO 20-001972	5-1-20	CT	PR

NOTES:

1. CAPTURED CENTER CONTACT



COMPONENT	MATERIAL	FINISH
HOUSING	STAINLESS STEEL PER ASTM-A-484 OR ASTM-A-582 TYPE 303	PASSIVATED PER QQ-P-35
DIELECTRIC	TFE FLUORCARBON PER ASTM-D-1457	-
CENTER CONTACT	BERYLLIUM COPPER PER ASTM-B-196 OR 197 ALLOY C17300, CONDITION H	GOLD PLATED PER MIL-G-45204

1044838-1
PART NUMBER

THIS DRAWING IS A CONTROLLED DOCUMENT.		DWN C.C.THOMAS 5-1-20	TE Connectivity																				
DIMENSIONS: INCHES [mm]		CHK P.RECCE 5-1-20																					
TOLERANCES UNLESS OTHERWISE SPECIFIED:		APVD P.RECCE 5-1-20	NAME TNC JACK TO SMA JACK ADAPTER																				
<table border="1"> <tr><td>0 PLC</td><td>±</td><td>-</td></tr> <tr><td>1 PLC</td><td>±</td><td>-</td></tr> <tr><td>2 PLC</td><td>±</td><td>-</td></tr> <tr><td>3 PLC</td><td>±</td><td>.005 [0.13]</td></tr> <tr><td>4 PLC</td><td>±</td><td>-</td></tr> <tr><td>ANGLES</td><td>±</td><td>3</td></tr> </table>		0 PLC	±	-	1 PLC	±	-	2 PLC	±	-	3 PLC	±	.005 [0.13]	4 PLC	±	-	ANGLES	±	3	PRODUCT SPEC -	APPLICATION SPEC -	SIZE A2	CAGE CODE 00779
0 PLC	±	-																					
1 PLC	±	-																					
2 PLC	±	-																					
3 PLC	±	.005 [0.13]																					
4 PLC	±	-																					
ANGLES	±	3																					
MATERIAL -	FINISH -	WEIGHT 0.000000	DRAWING NO C=1044838	RESTRICTED TO -																			
CUSTOMER DRAWING			SCALE 5:1	SHEET 1 of 1	REV C																		