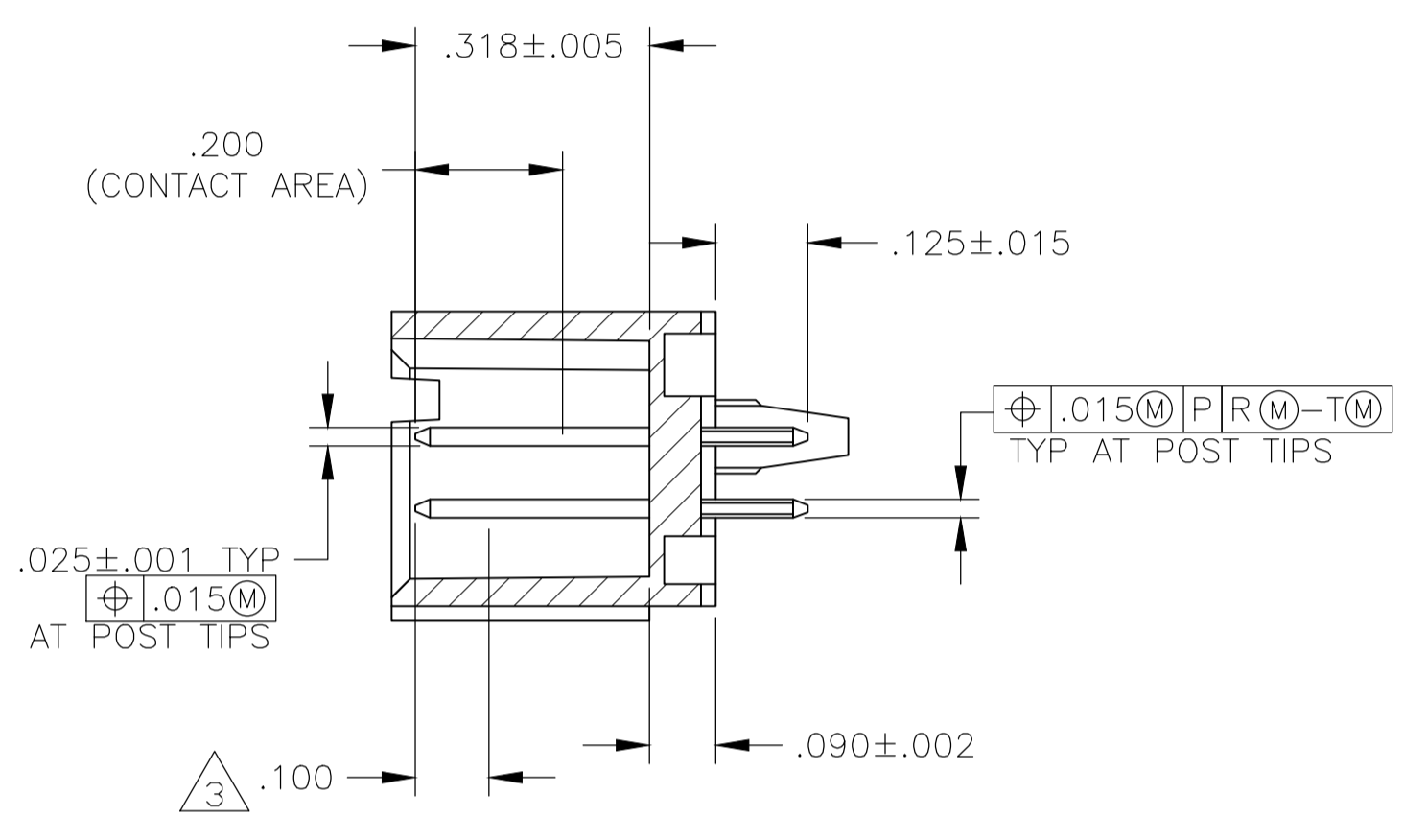
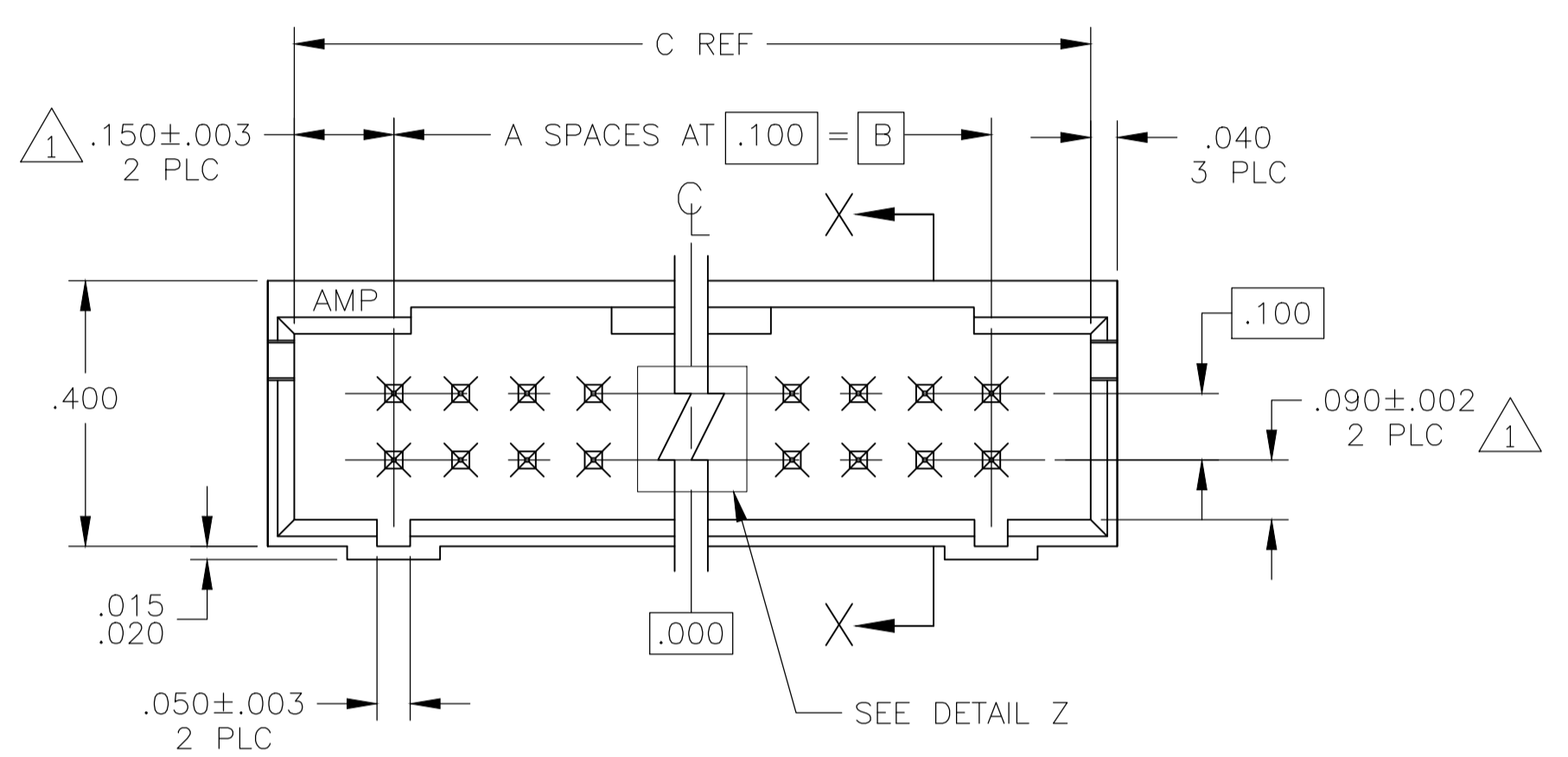
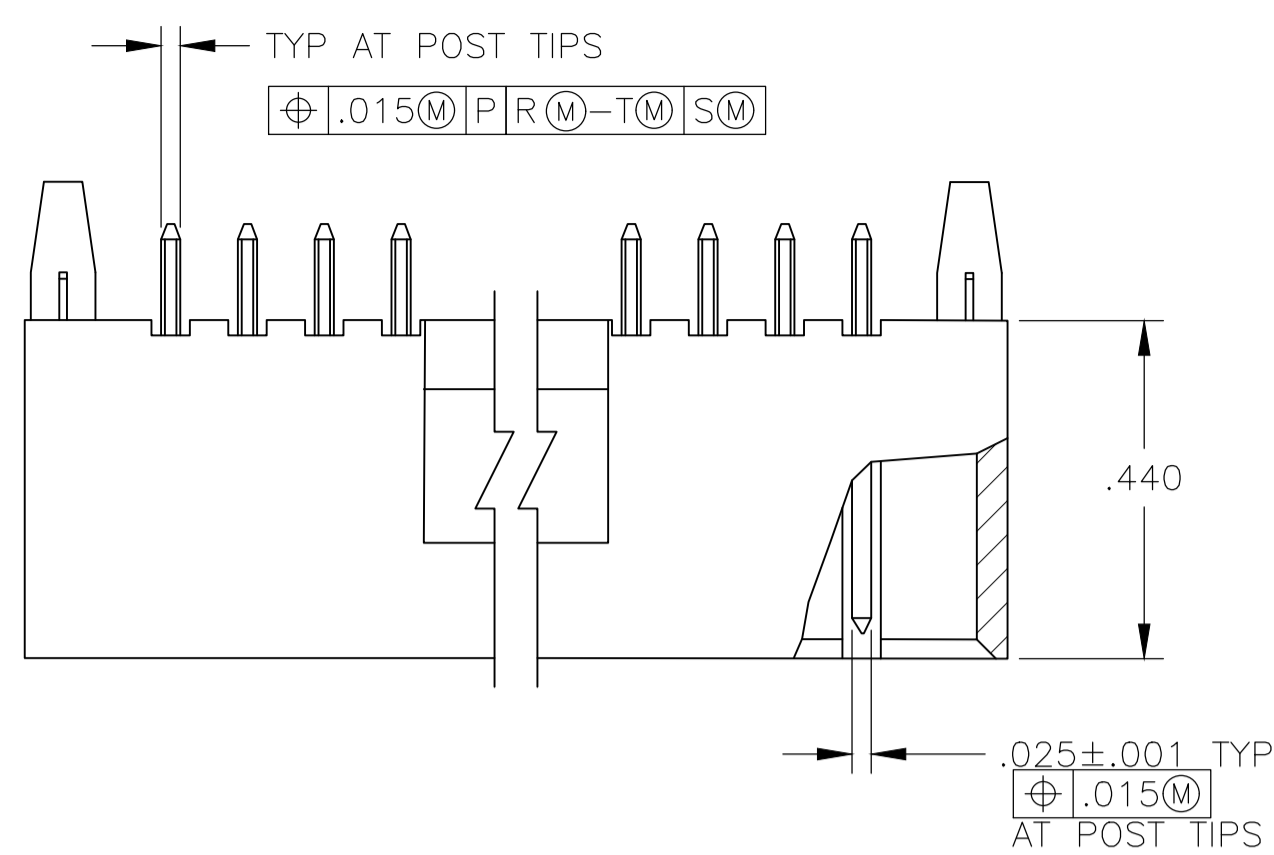
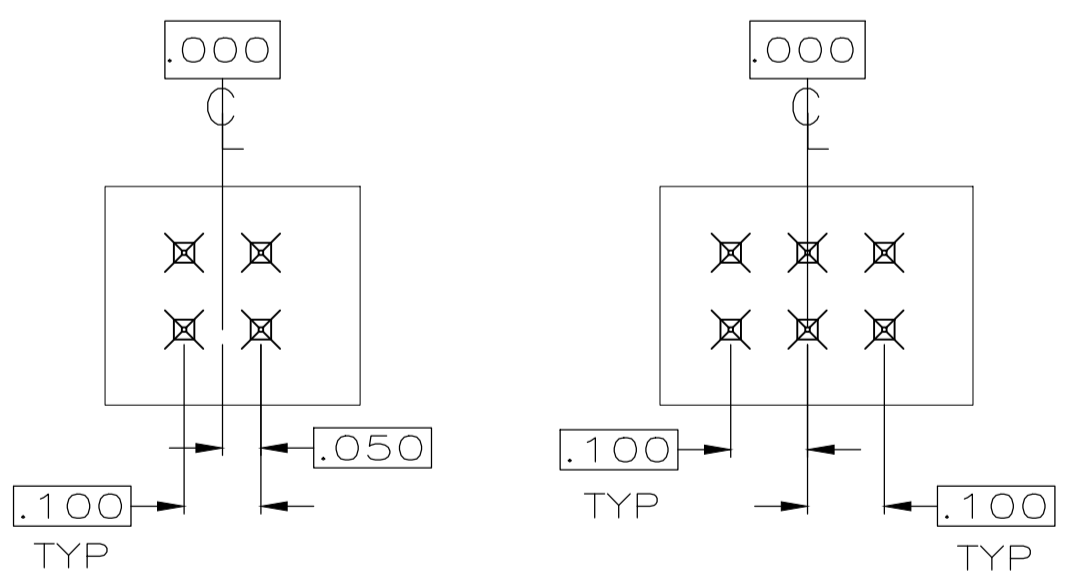
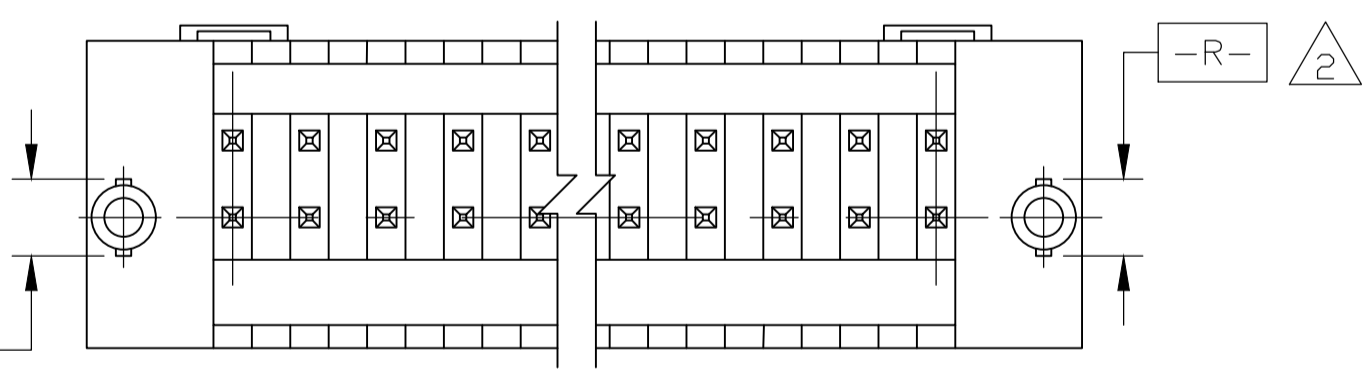
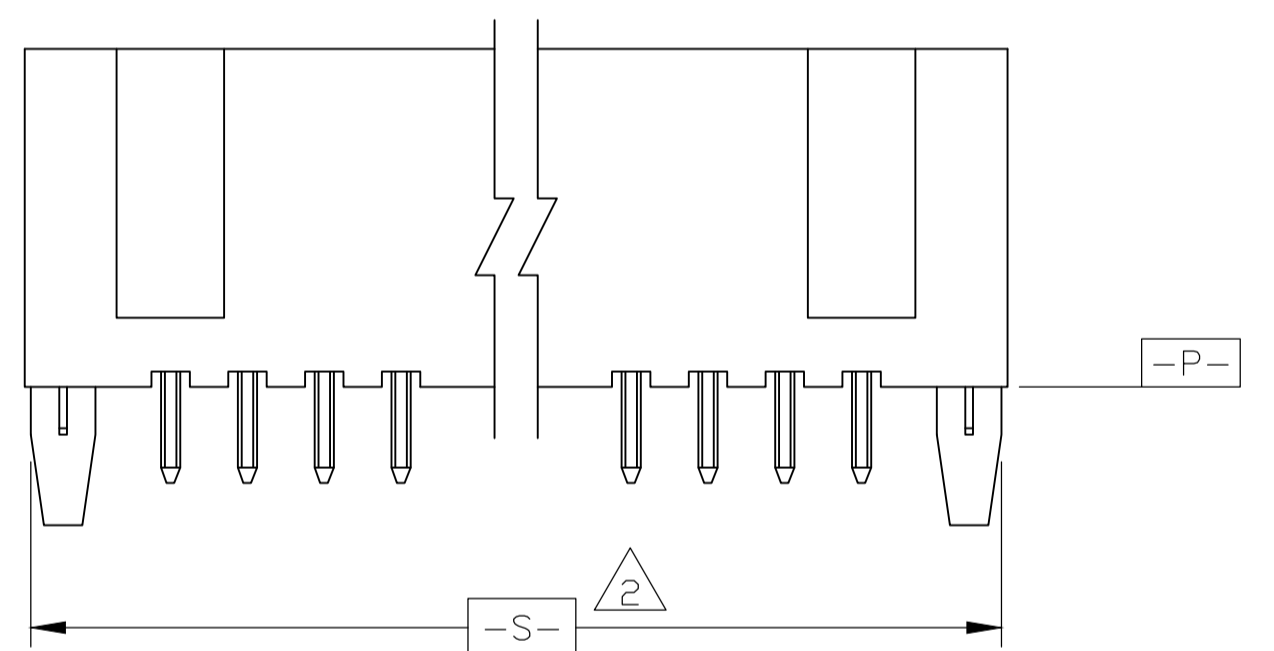


REVISIONS				
P	LTR	DESCRIPTION	DATE	BY / APPV
K3		PART STATUS UPDATED IN PART LIST TABLE	16FEB2018	SD / PS

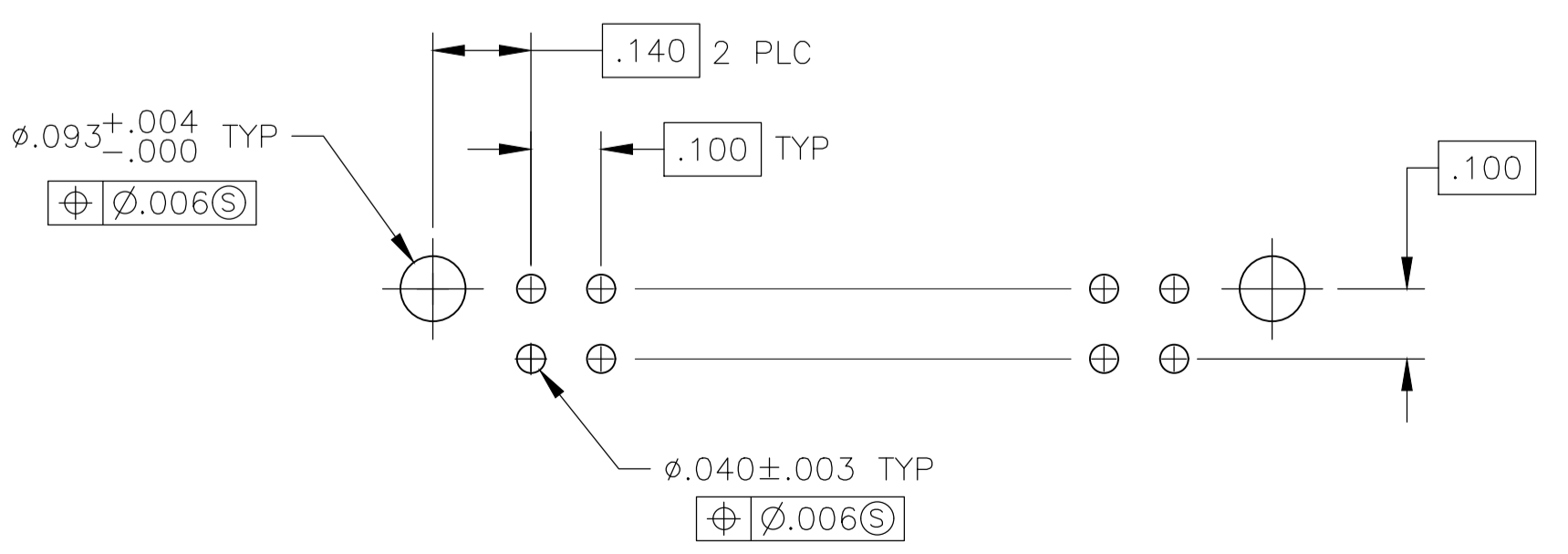


SECTION X-X



BASIC DIMENSION FOR ODD NO. OF SPACES (SEE TABLE) BASIC DIMENSION FOR EVEN NO. OF SPACES (SEE TABLE)

DETAIL Z



RECOMMENDED HOLE LAYOUT

- 1 THE NOTED DIMENSIONS APPLY AT THE INTERSECTION OF THE POST AND HOUSING
- 2 THE NOTED DIMENSIONS APPLY AT THE INTERSECTION WITH DATUM -P-
- 3 POINT OF MEASUREMENT FOR PLATING THICKNESS
- 4 PRELIMINARY PART - NOT RELEASED FOR PRODUCTION.
- 5 MATERIAL: HOUSING- FLAME RETARDANT THERMOPLASTIC, COLOR- BLACK
POST- PHOS BRONZE
- 6 FINISH: POST- .000015 GOLD IN CONTACT AREA, .000100-.000200 MATTE TIN-LEAD ON SOLDERTAIL, ALL OVER .000050 NICKEL
- 7 FINISH: POST- .000015 GOLD IN CONTACT AREA, .000100-.000200 MATTE TIN ON SOLDERTAIL, ALL OVER .000050 NICKEL
- 8 OBSOLETE PARTS: OBSOLETE CIS STREAMLINING PER D.RENAUD/D.SINISI

PLATING	C	B	A	NO OF POSN	ASSEMBLY PART NUMBER
OB				16	6-104317-8
OB				17	6-104317-7
				7	6-104317-6
				20	6-104317-5
OB				24	6-104317-4
OB				23	6-104317-3
OB				19	6-104317-2
				15	6-104317-1
				14	6-104317-0
				12	5-104317-9
OB				11	5-104317-8
				10	5-104317-7
				9	5-104317-6
				8	5-104317-5
OB				6	5-104317-4
				5	5-104317-3
				4	5-104317-2
				2	5-104317-1
				3	4-104317-9
OB				34	1-104317-8
OB				36	1-104317-7
OB				7	1-104317-6
				20	1-104317-5
				24	1-104317-4
				23	1-104317-3
				19	1-104317-2
				15	1-104317-1
				14	1-104317-0
				12	104317-9
				11	104317-8
				10	104317-7
				9	104317-6
				8	104317-5
				6	104317-4
				5	104317-3
				4	104317-2
				2	104317-1

SUPERSEDED BY 6-104317-0
 SUPERSEDED BY 5-104317-7
 SUPERSEDED BY 5-104317-5
 SUPERSEDED BY 5-104317-3
 SUPERSEDED BY 5-104317-1

THIS DRAWING IS A CONTROLLED DOCUMENT. DIMENSIONS: INCHES. TOLERANCES UNLESS OTHERWISE SPECIFIED: 0 PLC ± .005, 1 PLC ± .005, 2 PLC ± .005, 3 PLC ± .005, 4 PLC ± .005, ANGLES ± .005. MATERIAL: SEE TABLE. FINISH: SEE TABLE. WEIGHT: -. SIZE: A1. DRAWING NO: 00779. CUSTOMER DRAWING. SCALE: 4:1. SHEET: 1 OF 1. REV: K3.

STE TE Connectivity
 HDR ASSY, MOD II, SHROUDED
 4 SIDES, DBL ROW, VERT
 .100X.100 CL, W/ .025 SQ POSTS