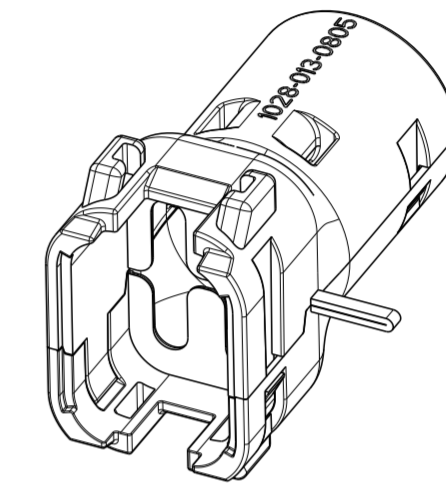
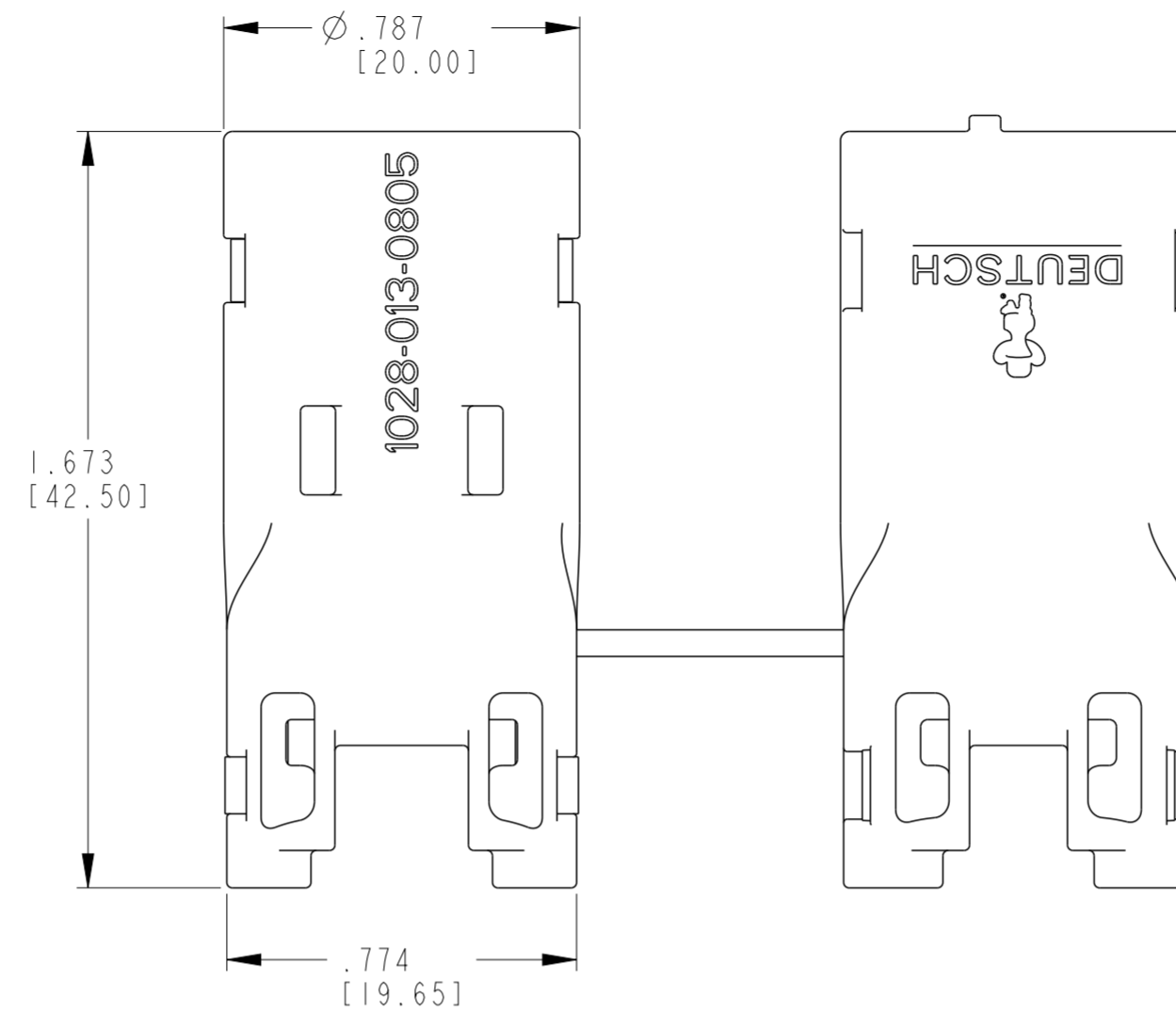
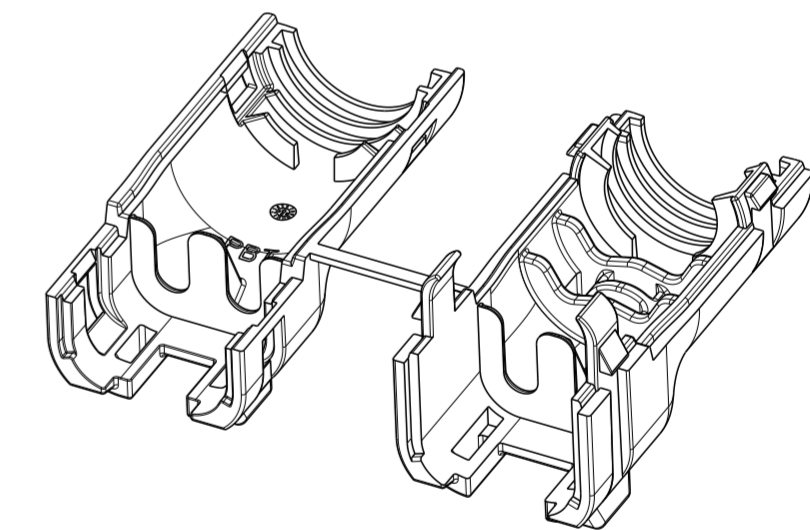
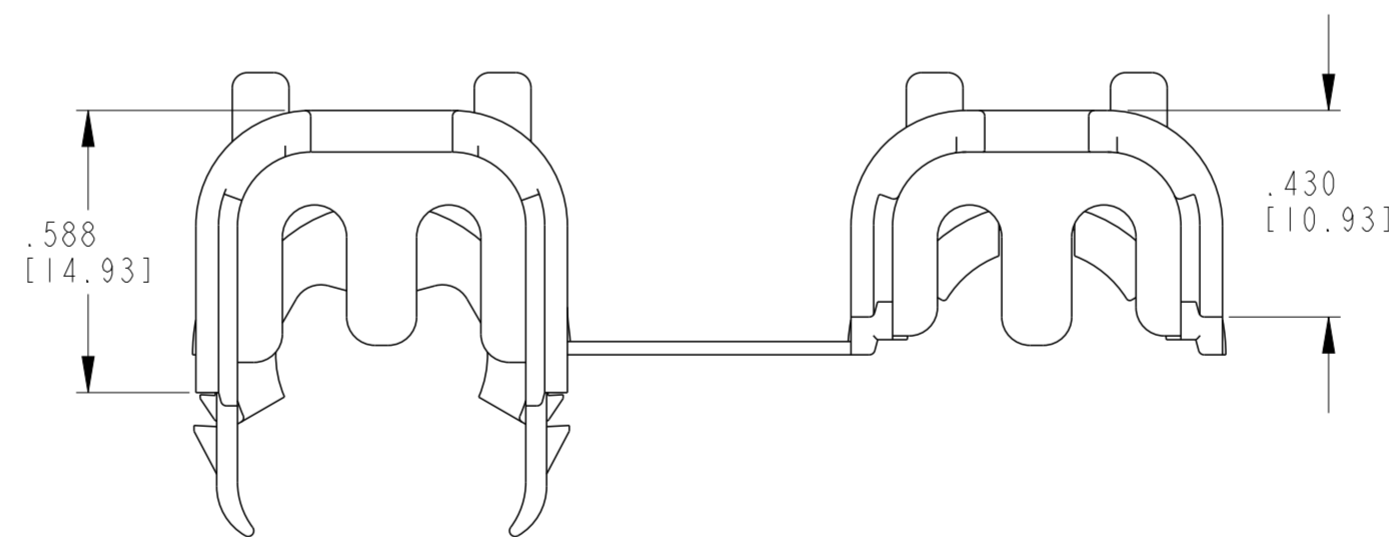
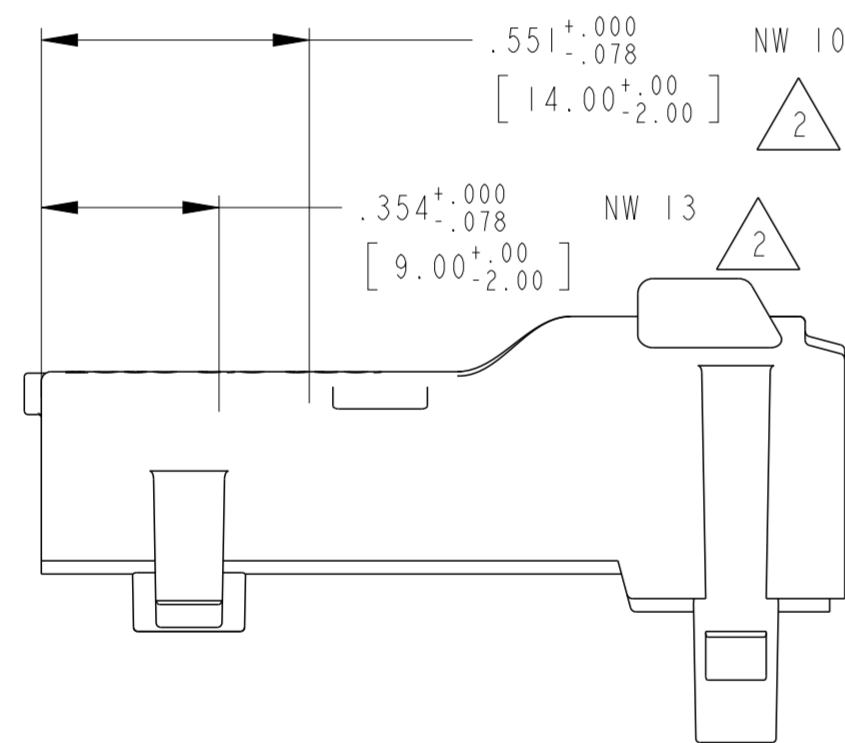


REVISIONS					
P	LTR	DESCRIPTION	DATE	DWN	APVD
B		REVISED/REDRAWN PER E.O. P21076	4-6-12		RDR
BI		REVISED PER PCN-20-001655	27JAN2020	AP	IG



3D VIEW  
CLOSED



3D VIEW  
OPEN

2. REFERENCE FOR TUBING DEPTH.

1. THIS PART MATES WITH DTM06-08S\*-\*\*\*\* PLUG WITH ANY MODIFICATION THAT DOES NOT INCLUDE AN END CAP. (\* = KEY ARR. A,B,C,D; \*\*\*\* = MODIFICATION)

NOTES:

TCPN	ALIAS PART NUMBER
1028-013-0805	1028-013-0805

THIS DRAWING IS A CONTROLLED DOCUMENT.		DWN A. MALAGON 15AUG11	TE Connectivity															
DIMENSIONS: IN [mm]		CHK B. BYFORD 4/6/2012																
TOLERANCES UNLESS OTHERWISE SPECIFIED:		APVD S. BEARD 4/5/12	NAME BACKSHELL ADAPTER 8 PIN PLUG DTM SERIES															
<table border="1"> <tr><td>0 PLC</td><td>±</td></tr> <tr><td>1 PLC</td><td>±</td></tr> <tr><td>2 PLC</td><td>±</td></tr> <tr><td>3 PLC</td><td>±.025 [ .64]</td></tr> <tr><td>4 PLC</td><td>±</td></tr> <tr><td>ANGLES</td><td>±</td></tr> <tr><td>FINISH</td><td></td></tr> </table>		0 PLC	±	1 PLC	±	2 PLC	±	3 PLC	±.025 [ .64]	4 PLC	±	ANGLES	±	FINISH		PRODUCT SPEC 108-151010	SIZE A2	
0 PLC	±																	
1 PLC	±																	
2 PLC	±																	
3 PLC	±.025 [ .64]																	
4 PLC	±																	
ANGLES	±																	
FINISH																		
MATERIAL PBT COLOR: BLACK		APPLICATION SPEC 114-151010	CAGE CODE 00779	DRAWING NO 1028-013-0805														
		WEIGHT 7 GR	RESTRICTED TO -															
		CUSTOMER DRAWING	SCALE 5:2	SHEET 1 OF 1														
			REV BI															