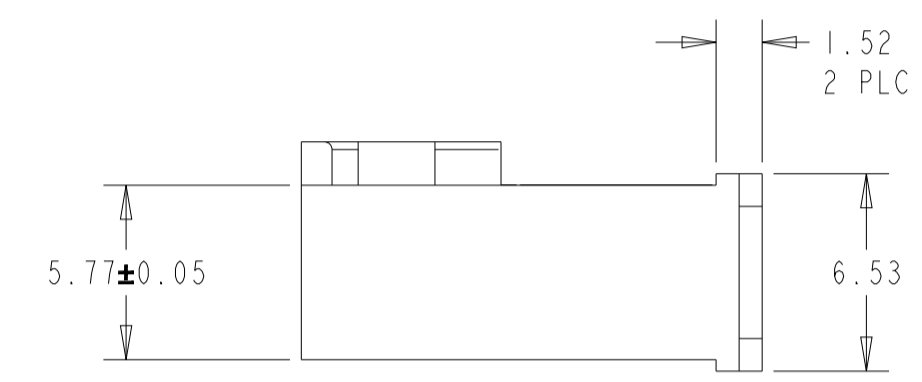
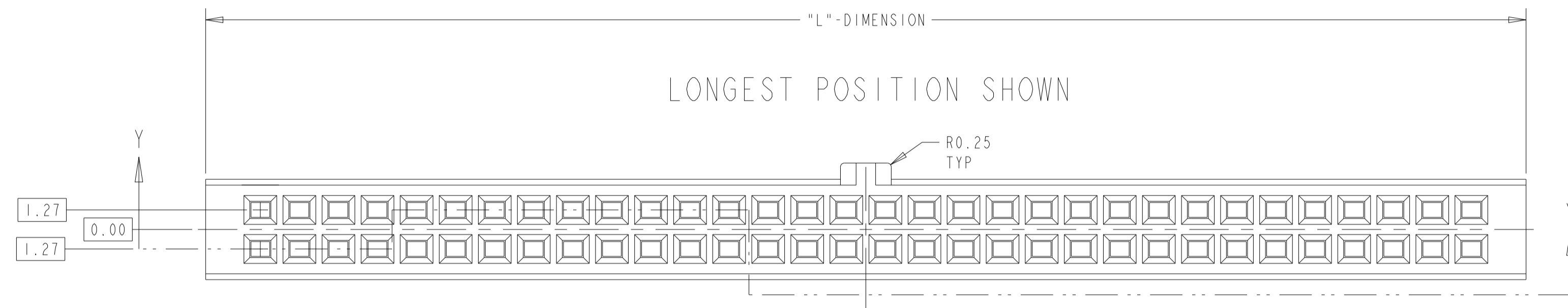
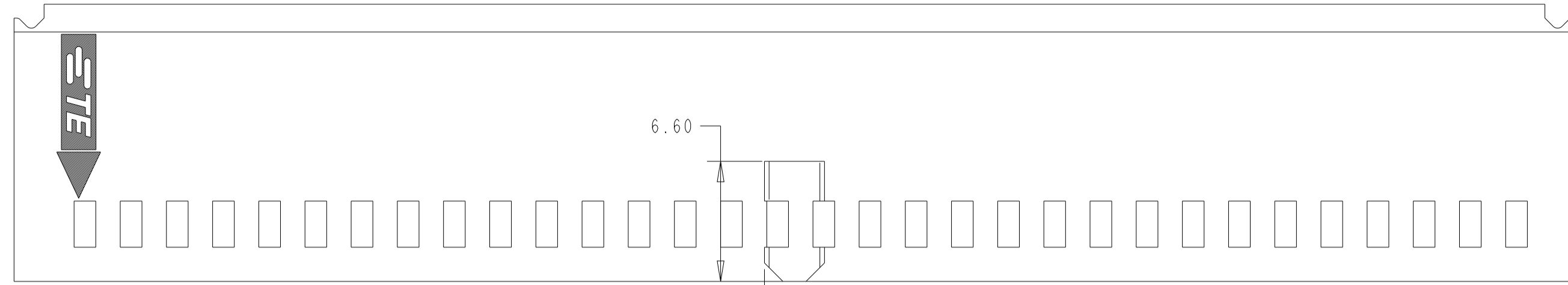
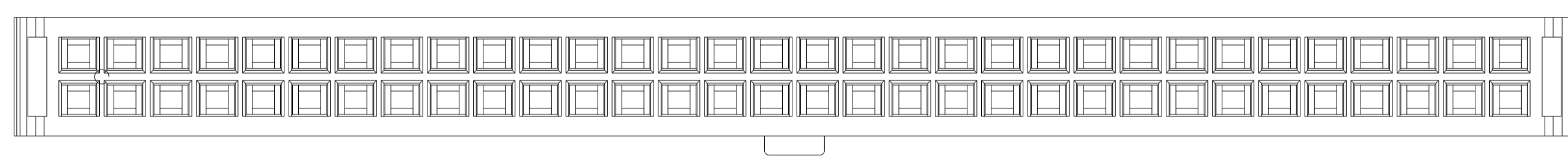
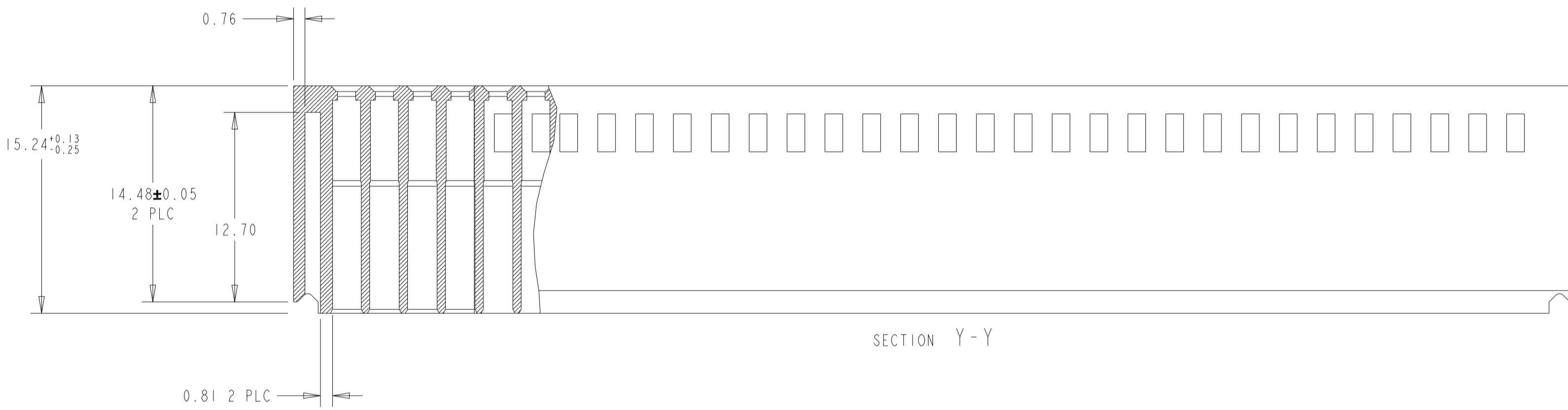


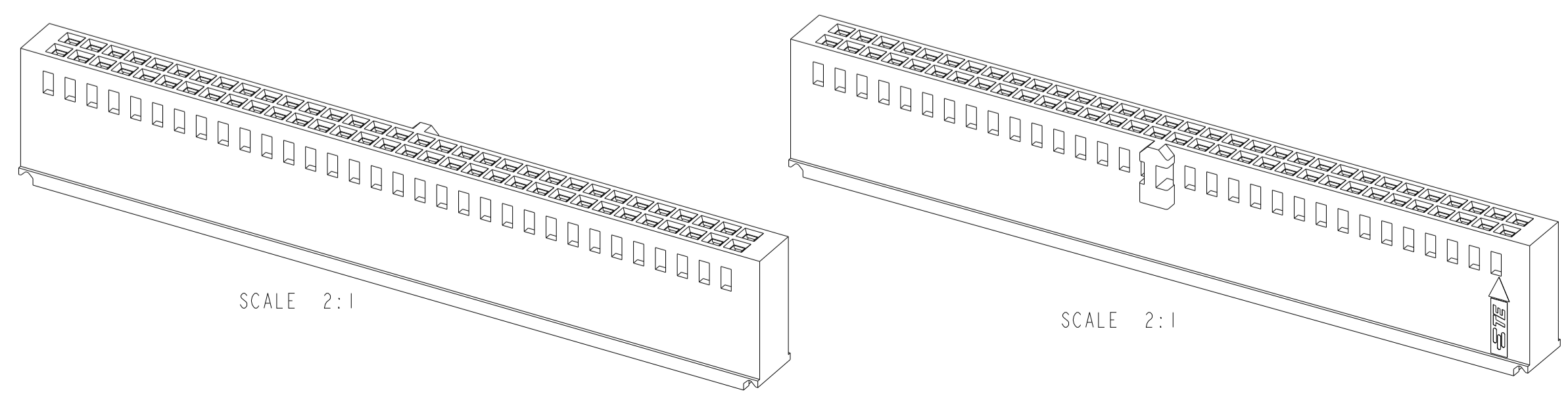
REVISIONS				
#	LTN	DESCRIPTION	DATE	APVD
S2		REVISED PER ECO-11-010839	25MAY2011	RK HMR
T		REVISED PER ECR-22-137476	23AUG2022	RK SD
T1		REVISED PER ECR-24-198175	04JAN2024	RK MF



- 1 LCP, COLOR:BLACK PER ASTM D4066
- 2 SEE TABLE FOR NUMBER OF DETENTS. DETENT ON THIS SIDE FOR HOUSINGS WITH ONE DETENT.
- 3 NOTE DELETED.
- 4 NOTE DELETED.
- 5 THESE HOUSINGS ARE COMPATIBLE WITH ANY MOD II SHROUDED HEADER.
- 6 HOUSINGS WILL ACCOMODATE ALL MOD IV, IV.5, AND MOD V CONTACTS.
- 7 NOTE DELETED.
- 8 TE LOGO PART NUMBER AND DATE CODE MARKED WHEN HOUSING SIZE PERMITS AT APPROX. LOCATION
- 9 THE PRODUCT IS IN PROCESS FOR UL RECOGNITION.
- 10 THE PRODUCT IS NOT YET QUALIFIED AND IS IN PROCESS.



32.51	10	22	1-102387-5
14.73	3	8	1-102387-4
60.45	21	44	1-102387-3
85.85	31	64	1-102387-2
80.77	29	60	1-102387-1
68.07	24	50	1-102387-0
55.37	19	40	102387-9
47.75	16	34	102387-8
42.67	14	30	102387-7
37.59	12	26	102387-6
35.05	11	24	102387-5
29.97	9	20	102387-4
24.89	7	16	102387-3
22.35	6	14	102387-2
17.27	4	10	102387-1
"L" DIM	NUMBER OF SPACES	NUMBER OF POSITIONS	PART NUMBER



THIS DRAWING IS A CONTROLLED DOCUMENT.

OWN: E. BRANDENBERG 09FEB94
 CHK: S. SHUEY 08NOV94
 APVD: D. DUPLER 08NOV94

DIMENSIONS: mm
 TOLERANCES UNLESS OTHERWISE SPECIFIED:
 0 PLC ±
 1 PLC ±
 2 PLC ±0.5
 3 PLC ±0.13
 4 PLC ±
 ANGLES ±0°30'
 FINISH

MATERIAL: LCP

TE Connectivity

NAME: MOD IV CRIMP SNAP-IN CONNECTOR, DOUBLE ROW, 2.54 CENTERS, SHORT ENTRY

SIZE: A | CAGE CODE: 00779 | DRAWING NO: 102387

CUSTOMER DRAWING | SCALE: 4:1 | SHEET: 1 OF 1 | REV: T1