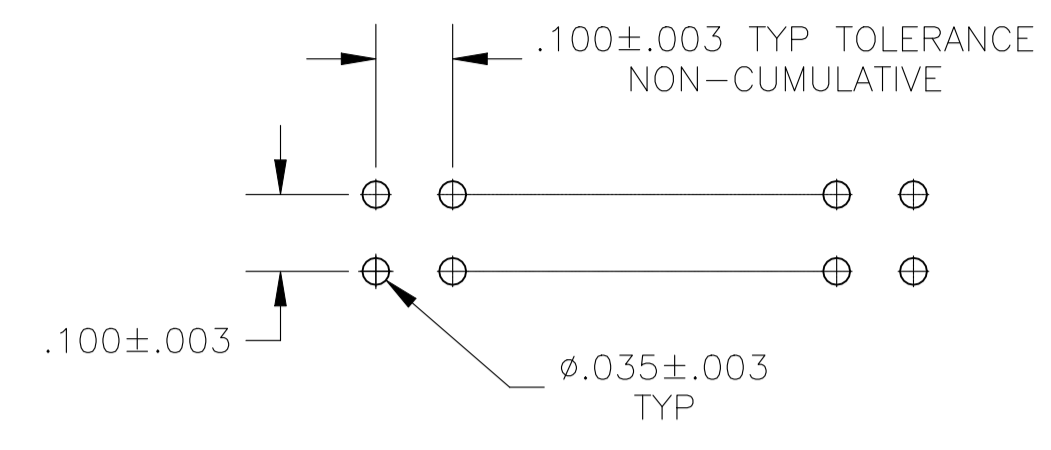
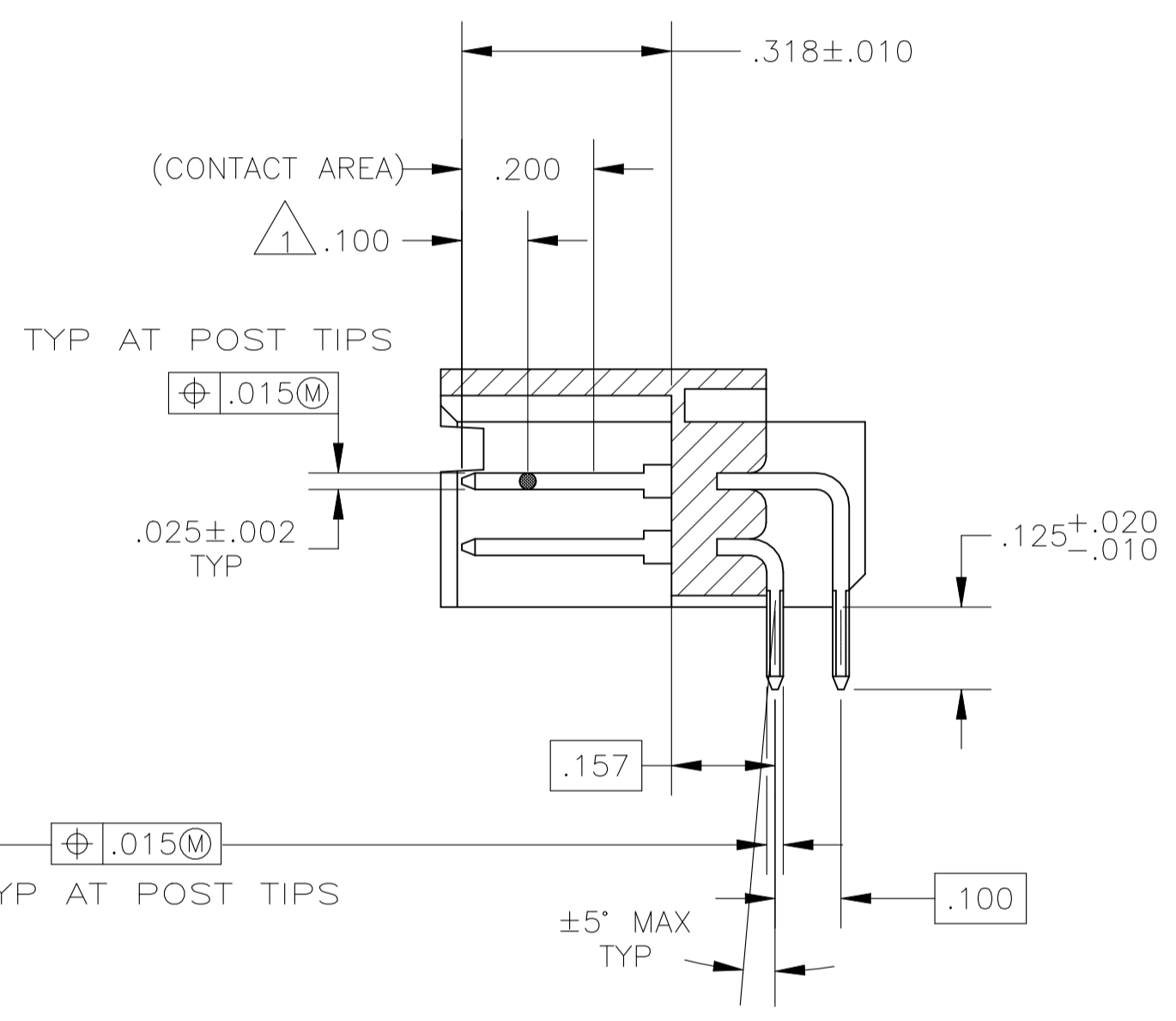
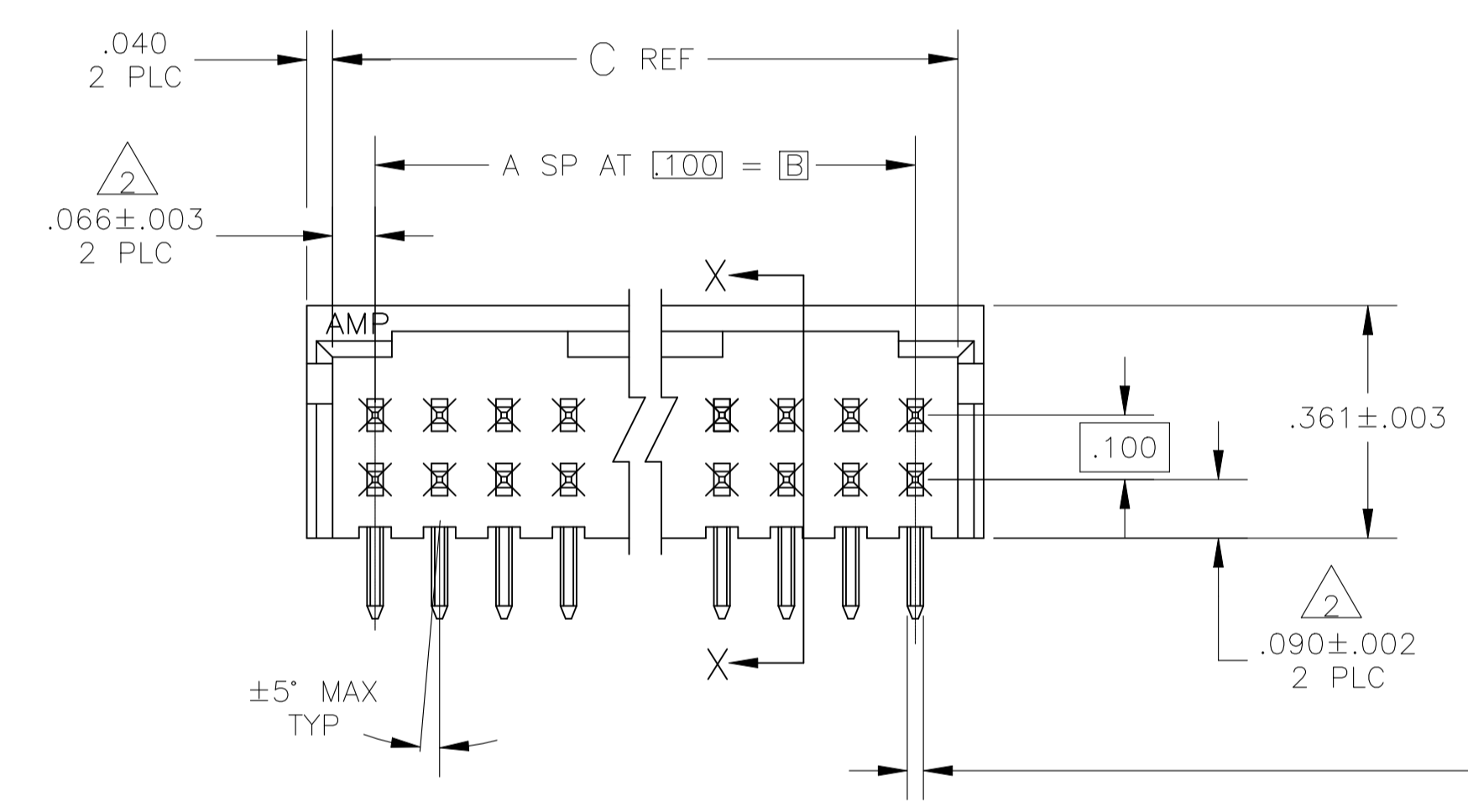
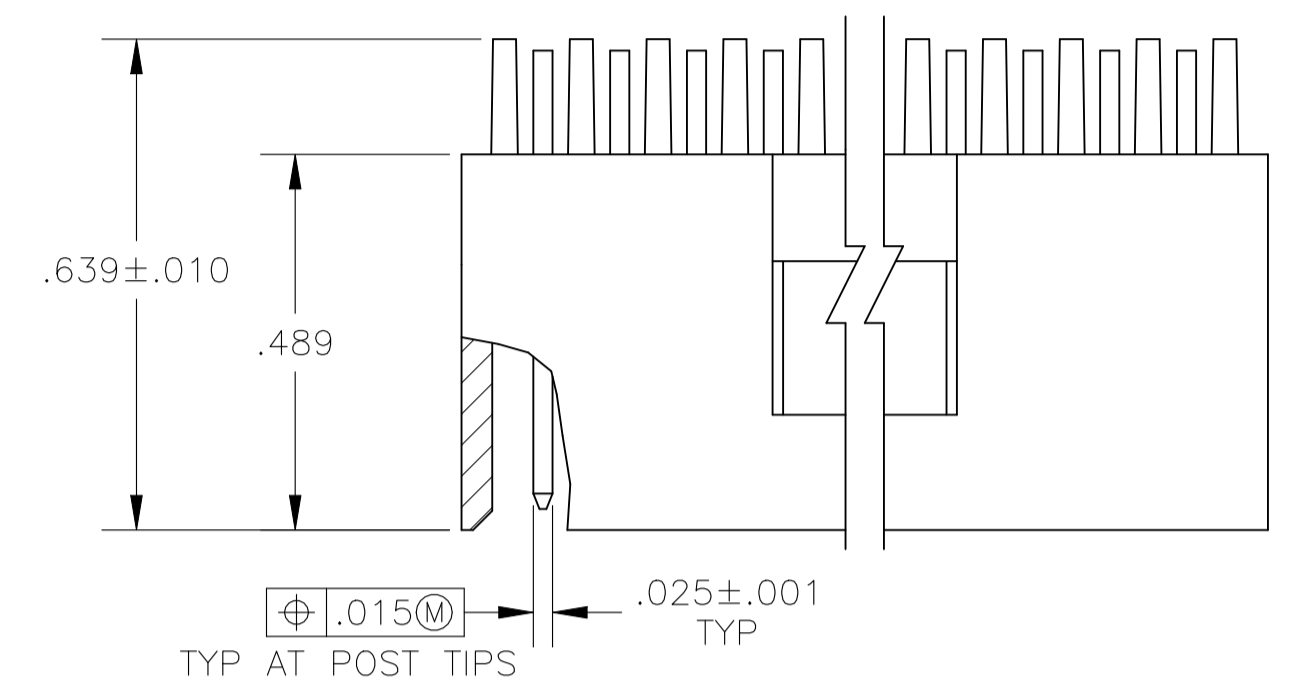


REVISIONS					
P	LTR	DESCRIPTION	DATE	DWN	APVD
K3	REVISED PER	ECN-23-225110	08AUG2023	RK	MF



RECOMMENDED HOLE LAYOUT



SECTION X-X

- 1 POINT OF MEASUREMENT FOR PLATING THICKNESS.
- 2 THE NOTED DIMENSION APPLIES AT THE INTERSECTION OF THE POST AND HOUSING
- 3 POSTS: .000015 GOLD IN CONTACT AREA, .000100-.000200 MATTE TIN-LEAD ON SOLDER TAIL, ALL OVER .000050 NICKEL.
- 4 POSTS: .000015 GOLD IN CONTACT AREA, .000100-.000200 MATTE TIN ON SOLDER TAIL, ALL OVER .000050 NICKEL.
- 5 OBSOLETE PARTS: OBSOLETE CIS STREAMLINING PER D.RENAUD/D.SINISI

PLATING	C	B	A	NO OF POSN	PART NUMBER
4	3.032	2.900	29	60	7-102055-8
4	2.732	2.600	26	54	7-102055-5
4	2.532	2.400	24	50	7-102055-3
4	2.032	1.900	19	40	6-102055-8
4	1.732	1.600	16	34	6-102055-5
4	1.532	1.400	14	30	6-102055-3
4	1.232	1.100	11	24	6-102055-0
4	.932	.800	8	18	5-102055-8
4	.832	.700	7	16	5-102055-7
4	.732	.600	6	14	5-102055-6
4	.632	.500	5	12	5-102055-5
4	.532	.400	4	10	5-102055-4
4	.432	.300	3	8	5-102055-3
4	.332	.200	2	6	5-102055-2
4	1.032	.900	9	20	5-102055-1
4	3.732	3.600	36	74	3-102055-5
4	3.632	3.500	35	72	3-102055-4
4	3.532	3.400	34	70	3-102055-3
4	3.432	3.300	33	68	3-102055-2
4	3.332	3.200	32	66	3-102055-1
4	3.232	3.100	31	64	3-102055-0
4	3.132	3.000	30	62	2-102055-9
4	3.032	2.900	29	60	2-102055-8
4	2.932	2.800	28	58	2-102055-7
4	2.832	2.700	27	56	2-102055-6
4	2.732	2.600	26	54	2-102055-5
4	2.632	2.500	25	52	2-102055-4
4	2.532	2.400	24	50	2-102055-3
4	2.432	2.300	23	48	2-102055-2
4	2.332	2.200	22	46	2-102055-1
4	2.232	2.100	21	44	2-102055-0
4	2.132	2.000	20	42	1-102055-9
4	2.032	1.900	19	40	1-102055-8
4	1.932	1.800	18	38	1-102055-7
4	1.832	1.700	17	36	1-102055-6
4	1.732	1.600	16	34	1-102055-5
4	1.632	1.500	15	32	1-102055-4
4	1.532	1.400	14	30	1-102055-3
4	1.432	1.300	13	28	1-102055-2
4	1.332	1.200	12	26	1-102055-1
4	1.232	1.100	11	24	1-102055-0
4	1.132	1.000	10	22	102055-9
4	.932	.800	8	18	102055-8
4	.832	.700	7	16	102055-7
4	.732	.600	6	14	102055-6
4	.632	.500	5	12	102055-5
4	.532	.400	4	10	102055-4
4	.432	.300	3	8	102055-3
4	.332	.200	2	6	102055-2
4	1.032	.900	9	20	102055-1

SUPERCEDED BY 1-103164-1

THIS DRAWING IS A CONTROLLED DOCUMENT.

DIMENSIONS: INCHES	TOLERANCES UNLESS OTHERWISE SPECIFIED:	0 PLC ± -	1 PLC ± -	2 PLC ± -	3 PLC ± .005	4 PLC ± -	ANGLES ± -
--------------------	--	-----------	-----------	-----------	--------------	-----------	------------

MATERIAL: HOUSING: LCP; COLOR: BLACK; POST: PHOS. BRONZE; FINISH: SEE TABLE

DIN H MOLL 16NOV87	TE Connectivity
CHK R FEJDT 16NOV87	NAME: HEADER ASSY, MOD II, DBL ROW, .100X.100 C/L, RIGHT ANGLE, (3) SIDED SHROUD
APVD R FLICKER 16NOV87	PRODUCT SPEC
APPLICATION SPEC	SIZE: A1; CAGE CODE: 00779; DRAWING NO: 102055
WEIGHT: -	RESTRICTED TO: -
CUSTOMER DRAWING	SCALE: 4:1; SHEET: 1 of 1; REV: K3