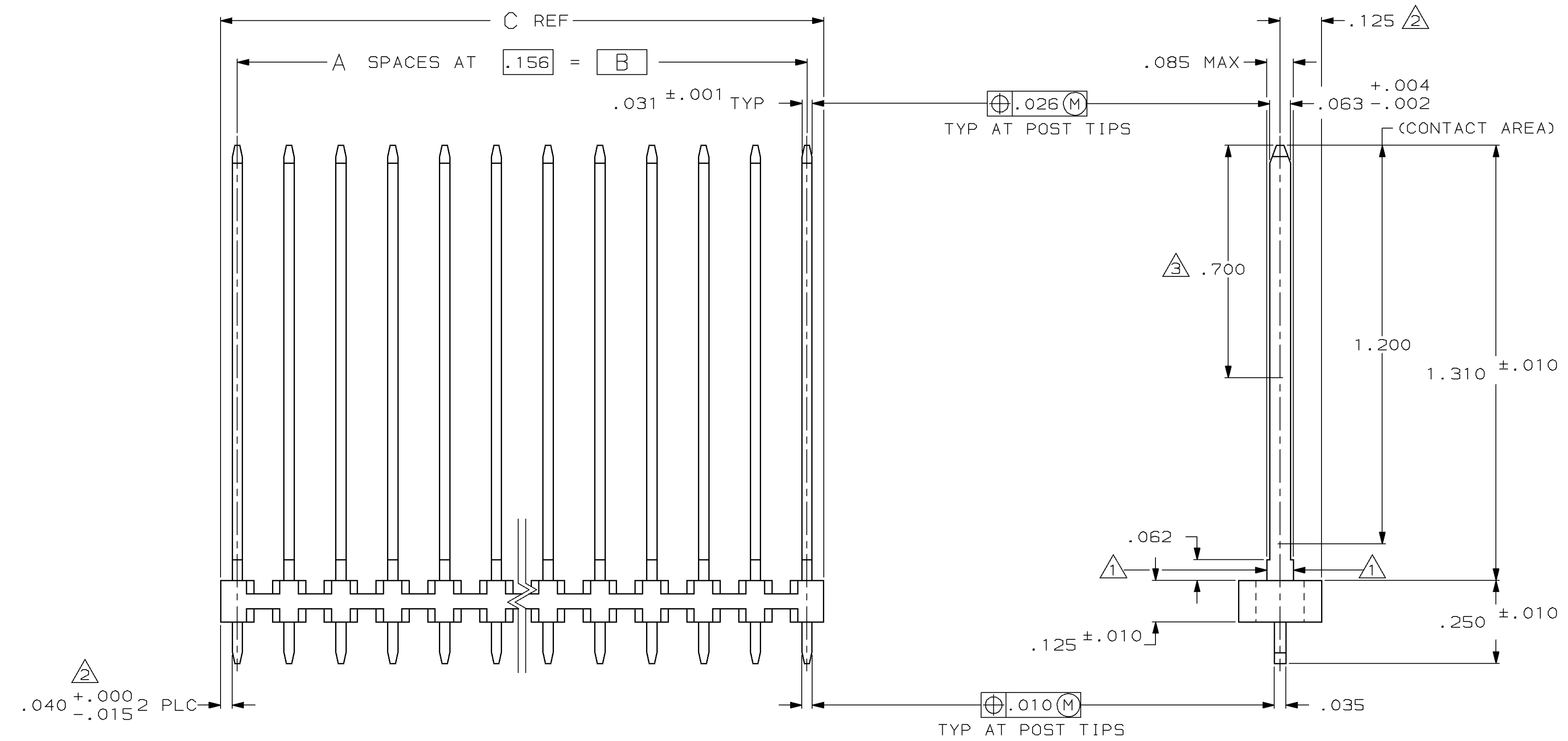
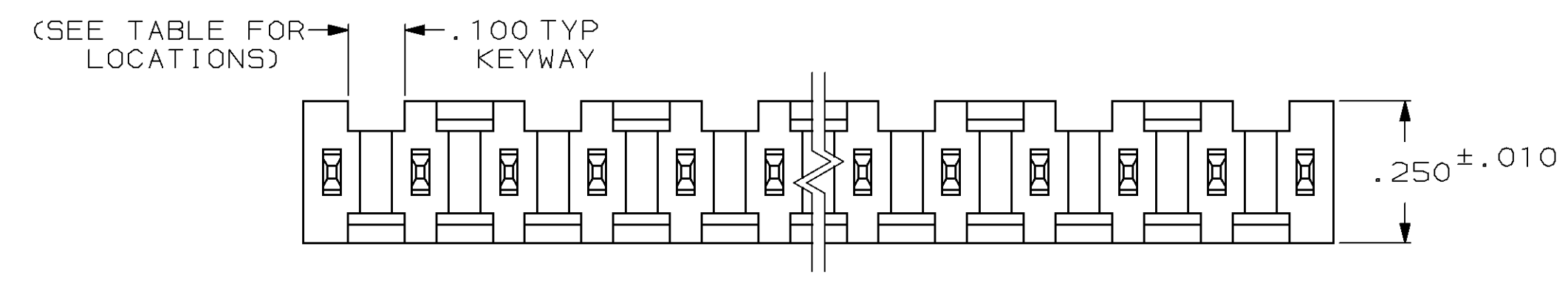
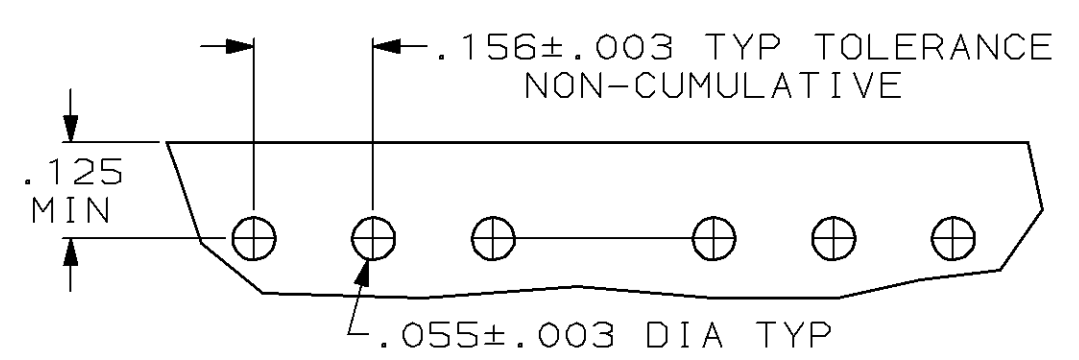


DRAWING MADE IN THIRD ANGLE PROJECTION
 THIS DRAWING IS UNPUBLISHED. RELEASED FOR PUBLICATION
 © COPYRIGHT 19 BY AMP INCORPORATED, HARRISBURG, PA. ALL INTERNATIONAL RIGHTS RESERVED. AMP PRODUCTS MAY BE COVERED BY U.S. AND FOREIGN PATENTS AND/OR PATENTS PENDING.

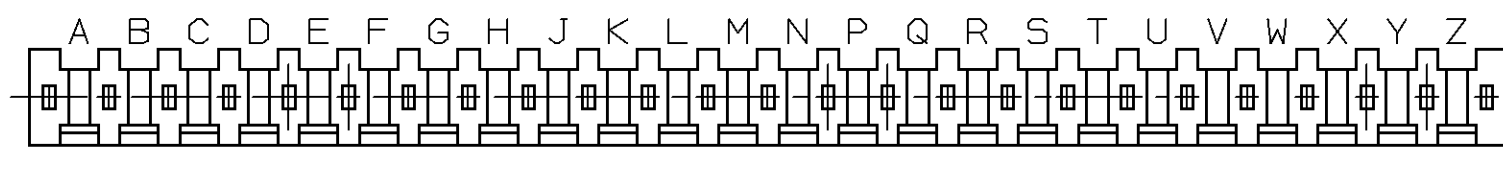
| LOC | | DIST | | REV | | ZONE | | LTR | | DESCRIPTION | | DATE | APPD |
|-----|----|------|---|-----|--|------|--|-----|--|-------------------------------|---------|------|------|
| AD | 39 | P | F | | | | | A | | REV & REDRAWN ECN 1413 & 1575 | - | - | |
| | | | | | | | | B | | REV ECN 1785 | HM | - | |
| | | | | | | | | C | | REV LOC & DIST AD-4171 | 3-90 | BF | |
| | | | | | | | | D | | REV PER 0010-1103-93 | 3-16-94 | SAS | |
| | | | | | | | | E | | REV PER 0010-1408-94 | 10-94 | JH | |
| | | | | | | | | F | | REV PER 0310-0048-97 | 7-14-97 | JH | |



- ① THESE SURFACES WILL NOT BE PLATED
- ② THE NOTED DIMENSIONS APPLY AT THE INTERSECTION OF THE POST AND THE HOUSING
- ③ POINT OF MEASUREMENT FOR PLATING THICKNESS



RECOMMENDED HOLE LAYOUT



KEYWAY LOCATIONS (REF-SEE TABLE)
 (MATING LENGTH OF POST ON NEAR SIDE)
 SCALE: 2:1

| | | | | | | | |
|----------|------------------|--------------|-------|-------|---|------------|----------------------|
| OBSOLETE | A, D, G | 3 | 1.359 | 1.248 | 8 | 9 | 102022-3 |
| | A, C, E | 3 | .891 | .780 | 5 | 6 | 102022-2 |
| OBSOLETE | A, D | 2 | .735 | .624 | 4 | 5 | 102022-1 |
| | KEYWAY LOCATIONS | NO OF KEYWAY | C | B | A | NO OF POSN | ASSEMBLY PART NUMBER |

| | | | | |
|--|--|----------------------------|---|--|
| UNLESS OTHERWISE SPECIFIED DIMENSIONS ARE IN INCHES TOLERANCES ON: | | DR 9-15-87 H MOLL | AMP INCORPORATED Harrisburg, Pa. 17105 | |
| 2 PL DEC ± - | | CHK 9-23-87 E TREECE | | |
| 3 PL DEC ± .005 | | APPD 9-23-87 E TREECE | NAME HEADER ASSEMBLY, MOD I, VERTICAL, SINGLE ROW, .156¢ | |
| ANGLES ± - | | APPD 9-23-87 J SCHIEFER | | |
| MATERIAL HOUSING - FLAME RETARDANT THERMOPLASTIC, COLOR - BLACK | | PRODUCT SPEC 108-25016 | SIZE D | |
| POSTS - BRASS | | APPLICATION SPEC - | | |
| FINISH POSTS: .000015 GOLD IN CONTACT AREA, GOLD FLASH ON REMAINDER, ALL OVER .000050 NICKEL | | WEIGHT - | DRAWING NO 102022 | |
| | | SCALE 4:1 | | |