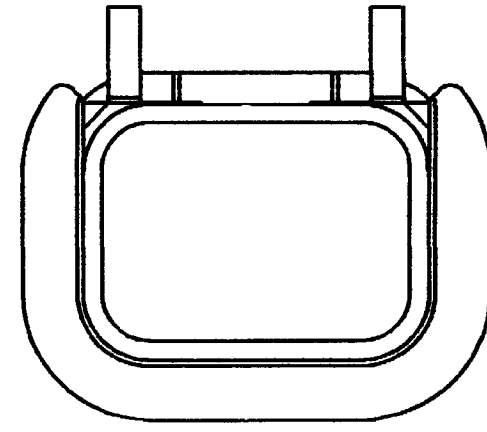
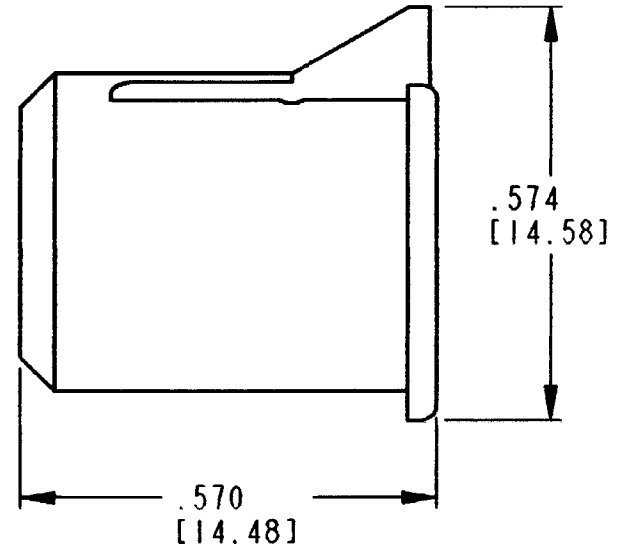
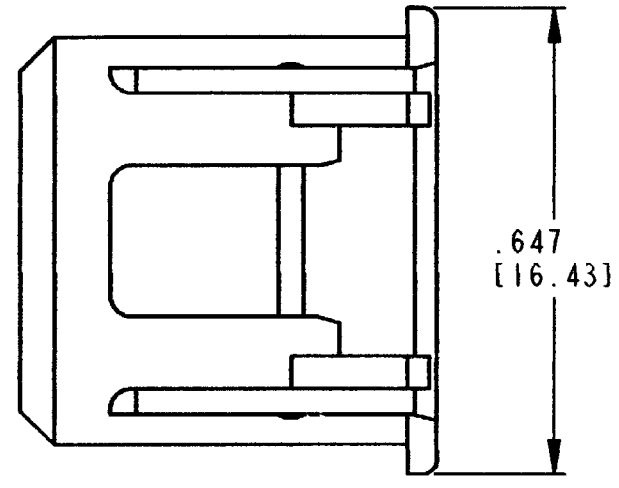
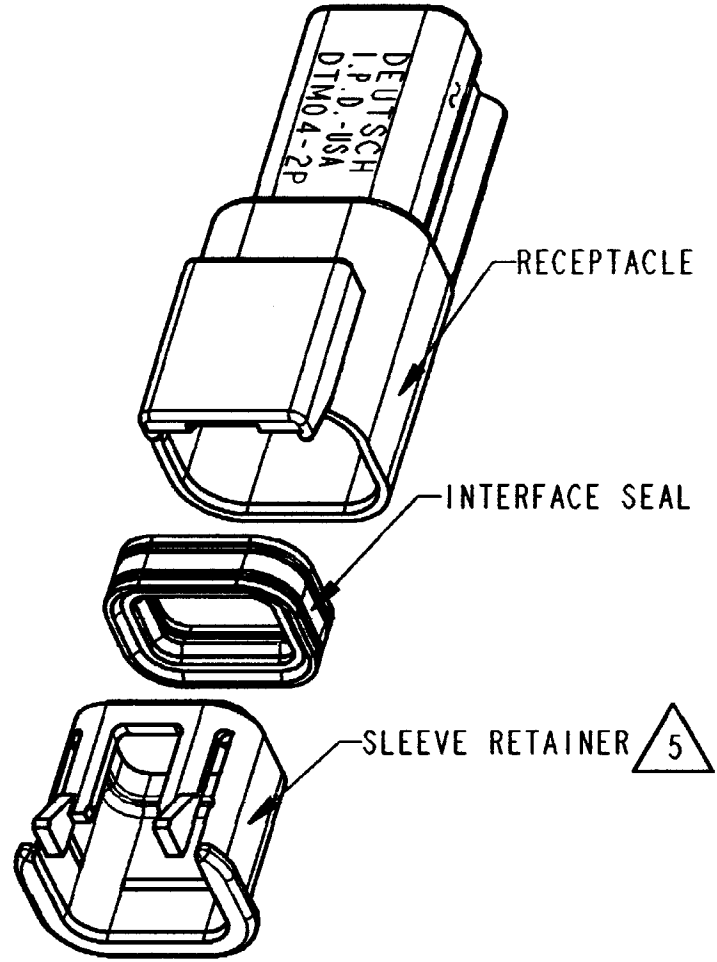


REV
NC 1011-311-0205

REVISIONS			
SYM	DESCRIPTION	DATE	APPROVED
NC	NEW RELEASE PER E.O. P19501	5-17-07	ADR



5. ASSEMBLE SLEEVE RETAINER AS SHOWN. SNAP SLEEVE RETAINER INTO RECEPTACLE. VERIFY SLEEVE RETAINER RETENTION FINGERS ARE FULLY SEATED BEHIND RECEPTACLE LATCH BUMPS. RECEPTACLE AND INTERFACE SEAL SHOWN FOR REFERENCE ONLY.
4. MATERIAL: PLASTIC
3. PART DESIGNED TO FIT DTM04-2P-EE04 RECEPTACLES ONLY.
2. DIMENSIONS ARE ±.025 [.64]
1. DIMENSIONS ARE IN INCHES [mm]
- NOTES: UNLESS OTHERWISE SPECIFIED

SIGNATURE & DATE	
DR	D. MEYER 03/28/07
CHK	<i>[Signature]</i> 5/10/07
PE	<i>[Signature]</i> 5/2/07
APPD	<i>[Signature]</i> 5-17-07
SCALE	NONE WT

SLEEVE RETAINER
2 PIN RECEPTACLE
COLOR: BLACK
-EE04 MOD
DTM SERIES
ENVELOPE

EP 172	MATL. CODE
The Deutch Company DEUTSCH I.P.D. 3850 INDUSTRIAL AVE. HEMET, CALIF. 92545	
B	1011-311-0205
DWG SIZE	CODE 11139 SHEET 1 OF 1