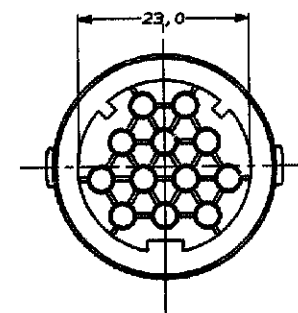
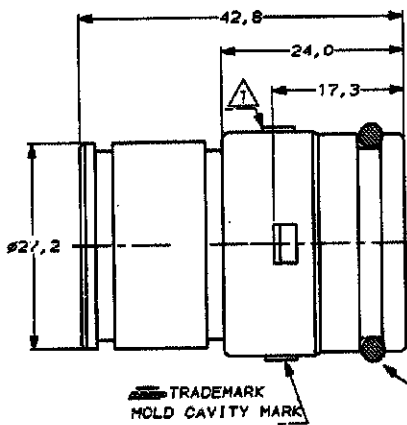
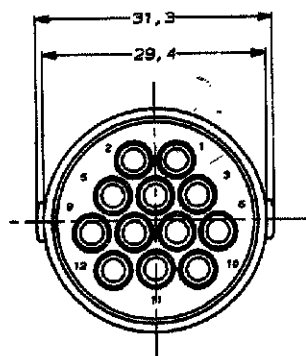


DO NOT SCALE
DIMENSIONS IN mm

METRIC

THIRD ANGLE
PROJECTION



DOC. CENTRE

23 SEP. 1993

NOTES:

△ DAF LOGO
MATERIAL IDENTIFIER: PBT

	YELLOW (RAL 1018)	PBT	100866-4
	RED (RAL 301E)	PBT	100866-3
	BLACK (RAL 9011)	PBT	100866-2
	WHITE (RAL 9001)	PBT	100866-1
	COLOR	MATERIAL	PARTNUMBER

CUSTOMER DRAWING

FOR REFERENCE ONLY
WILL NOT BE UPDATED

AMP AMP-HOLLAND B.V.
*s-Hertogenbosch, The Netherlands.

THIS DRAWING IS UNPUBLISHED ~~RELEASED FOR PUBLICATION~~

© COPYRIGHT 19- BY AMP-HOLLAND B.V.
ALL INTERNATIONAL RIGHTS RESERVED.
AMP PRODUCTS MAY BE COVERED BY U.S. AND FOREIGN PATENTS AND/OR PATENTS PENDING.

DR. N.V. DATE	13-05-92	WIRE RANGE		NAME	12 POSITION ECONOSEAL	REV. DATE	
CHK. ALDI/STRM					CAP-HOUSING WITH O-RING		
APP. L.V. SOEST	21-7-93	SIZE	A3	SHEET	1 OF 1	REV. LTR.	A

REVISION RECORD

REV. LTR.	EDN No.	DR.	DATE
A	EH00-0632-93		13-09-93

12 POSITION ECONOSEAL
CAP-HOUSING WITH O-RING
FOR 1,5 mm PIN CONTACTS
C-100866

8 | 7 | 6 | 5 | 4 | 3 | 2 | 1

REVISION