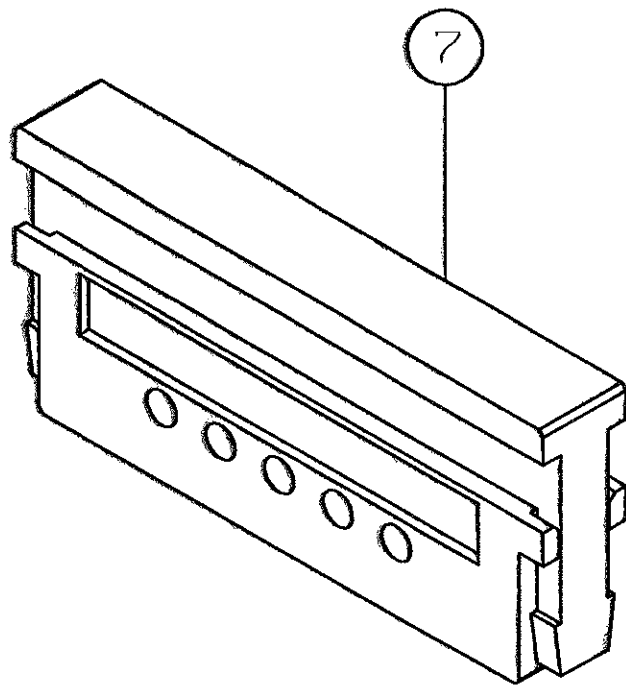
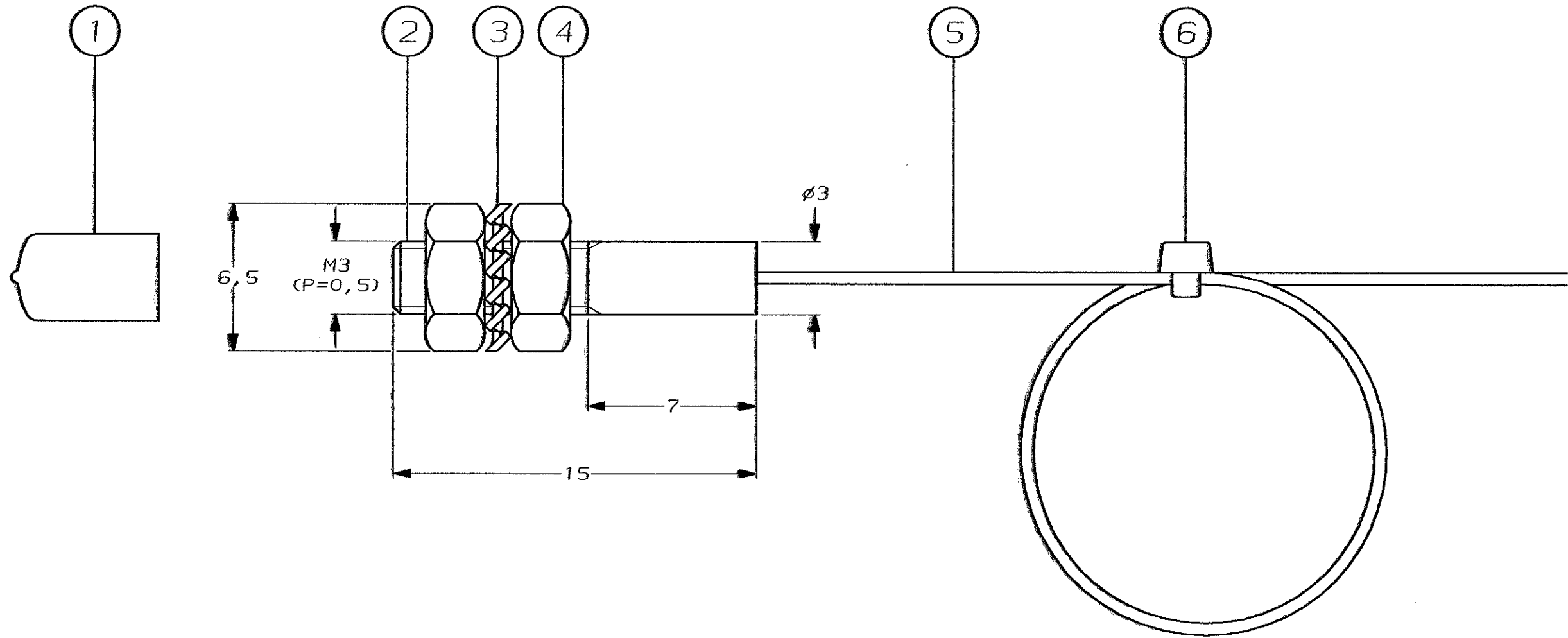
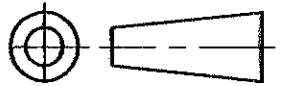


DO NOT SCALE  
DIMENSIONS IN mm

METRIC

THIRD ANGLE  
PROJECTION



-	-	-	-
-	-	-	-
1	-	CUTTER	7
1	-	CABLE TIE	6
2m	-	1000 µm PLASTIC FIBRE ( JACKET DIA. ø2,2 )	5
2	-	NUT	4
1	-	RIVET	3
1	-	SENSOR HEAD M3 ( BRASS NICKEL PL. )	2
1	-	DUSTCAP	1
-2	-	DESCRIPTION	ITEM

CUSTOMER DRAWING				FOR REFERENCE ONLY WILL NOT BE UPDATED	
© COPYRIGHT BY TYCO ELECTRONICS NEDERLAND B.V. ALL INTERNATIONAL RIGHTS RESERVED. TYCO PRODUCTS MAY BE COVERED BY U.S. AND FOREIGN AND/OR PATENTS PENDING. THIS DRAWING IS UNPUBLISHED RELEASED FOR PUBLICATION _____, 19____					
		<b>tyco</b>		Tyco Electronics Nederland B.V.	
		<b>Electronics</b>		's-HERTOGENBOSCH, THE NETHERLANDS	
B	EH02-0107-02	RC	NS	26 MAR 02	NAME
A	EH-0673-93	HdB	HW	23-09-93	SENSOR LEAD ASSEMBLY
LTR.	REVISION RECORD	DR.	CHK.	DATE	

DR.:	H. DE BEVER	CHK.:	N. SOUISA	APP.:	N. SOUISA	DWG. No.	C-100545	REV. LTR.	B	SHEET	1 OF 1	A3
DATE:	13-09-91	DATE:	26 MAR 02	DATE:	26 MAR 02							