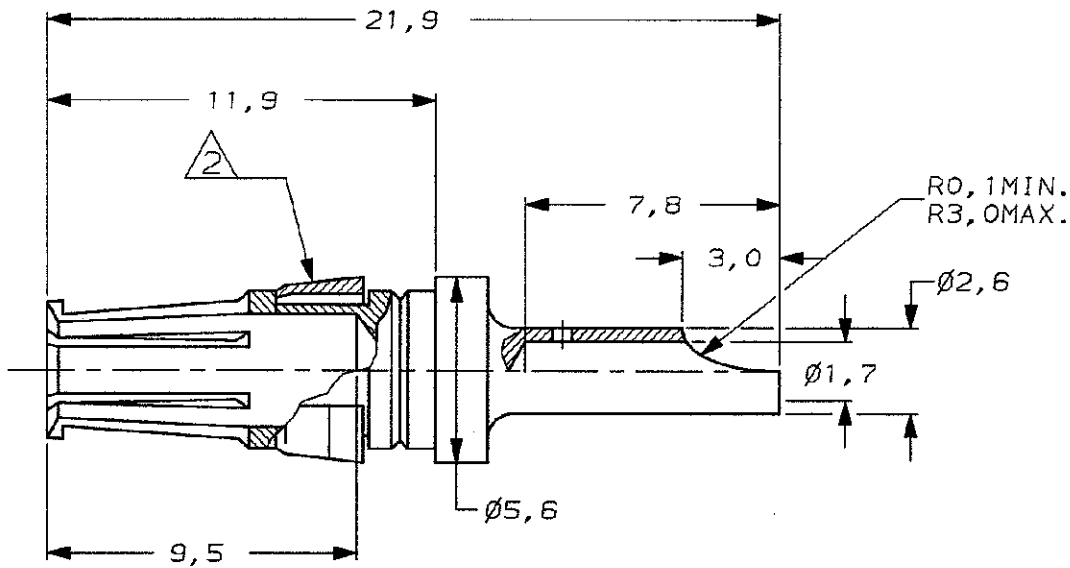
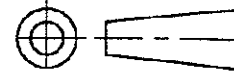


DO NOT SCALE

DIMENSIONS IN mm

METRIC

THIRD ANGLE
PROJECTION**NOTES:**

- 1 SUITABLE FOR FEMALE D-IEC, DIN 41612
TYPE M FEMALE CONNECTORS AND 2mm Z-PACK HM
FEMALE CONNECTORS.

RETAINING RING.

GOLD (CLASS 1)		CONTACT; BERYLLIUM COPPER			100085-1
FINISH		MATERIAL			PARTNUMBER
-	-	-	-	-	CUSTOMER DRAWING FOR REFERENCE ONLY WILL NOT BE UPDATED
-	-	-	-	-	© COPYRIGHT 19- BY AMP HOLLAND B.V. ALL INTERNATIONAL RIGHTS RESERVED. AMP PRODUCTS MAY BE COVERED BY U.S. AND FOREIGN AND/OR PATENTS PENDING.
-	-	-	-	-	THIS DRAWING IS UNPUBLISHED RELEASED FOR PUBLICATION
-	-	-	-	-	AMP AMP HOLLAND B.V. 's-Hertogenbosch, The Netherlands.
B	EH-1414-97	J.G.	J.G.	12-12-97	NAME
A	H-9387	S.M.	-	11-12-91	POWER CONTACT FEMALE
LTR.	REVISION RECORD	DR.	CHK.	DATE	SOLDER CUP F.M.L.B. (10 AMP)
DR.	J.V.LIEMPT	CHK.	J. Gibbels	APP.	DWG.No.
DATE:	21-03-91	DATE:	12-12-91	DATE:	C-100085
				REV.LTR.	SHEET
				B	1 OF 1
				A4	