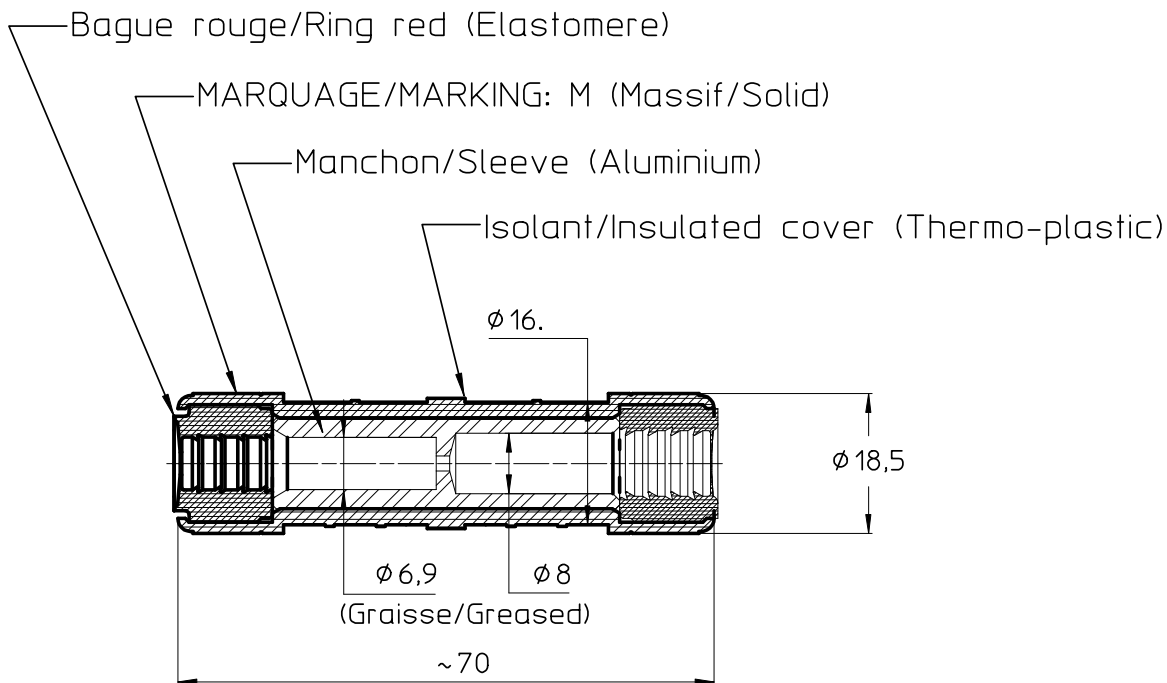


LOC	DIST	REVISIONS					
		P	LTR REV	DESCRIPTION MODIFICATIONS	DATE	DWN DESS.	APVD APPR
-	-		A	Creation	25-Mai-2011	GC	GN



MARQUAGE: Reference Logo Lot Outil  
 MARKING: Reference Logo Batch Dei  
 OUTIL/DIE: E140

2011

RELEASED FOR PUBLICATION  
 LIBRE A LA DIFFUSION

ALL RIGHTS RESERVED.  
 TOUS DROITS RESERVES


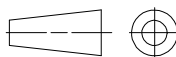
BY TYCO ELECTRONICS CORPORATION

© COPYRIGHT 2011

THIS DRAWING IS UNPUBLISHED.  
 DIFFUSION RESTREINTE

1-709143-1

Part Number

DIMENSIONS: mm		DWN /DESSINE 25-Mai-2011 G.CARLHIAN	MATERIAL - MATIERE	FINISH - FINITION
TOLERANCES UNLESS OTHERWISE SPECIFIED PER TOLERANCES NON SPECIFIEES SELON :-		CHK /VERIFIE - S.RICHETER	 <b>TE connectivity</b> <b>SIMEL PRODUCTS</b>	
		APVD /APPROUVE - G.NEDELEC		
		PRODUCT SPEC SPEC. PRODUIT -	NAME TITRE MJPBAS 35-35M	
		APPLICATION SPEC SPEC. APPLICATION -	SIZE FORMAT A4	CAGE CODE 00779
APPROX. WEIGHT MASSE APPROX. -		UNIQUEMENT POUR REFERENCE		SCALE ECHELLE 1:1
CUSTOMER DWG / PLAN CLIENT		SHEET FEUILLE 1 OF 1 DE 1		REV A