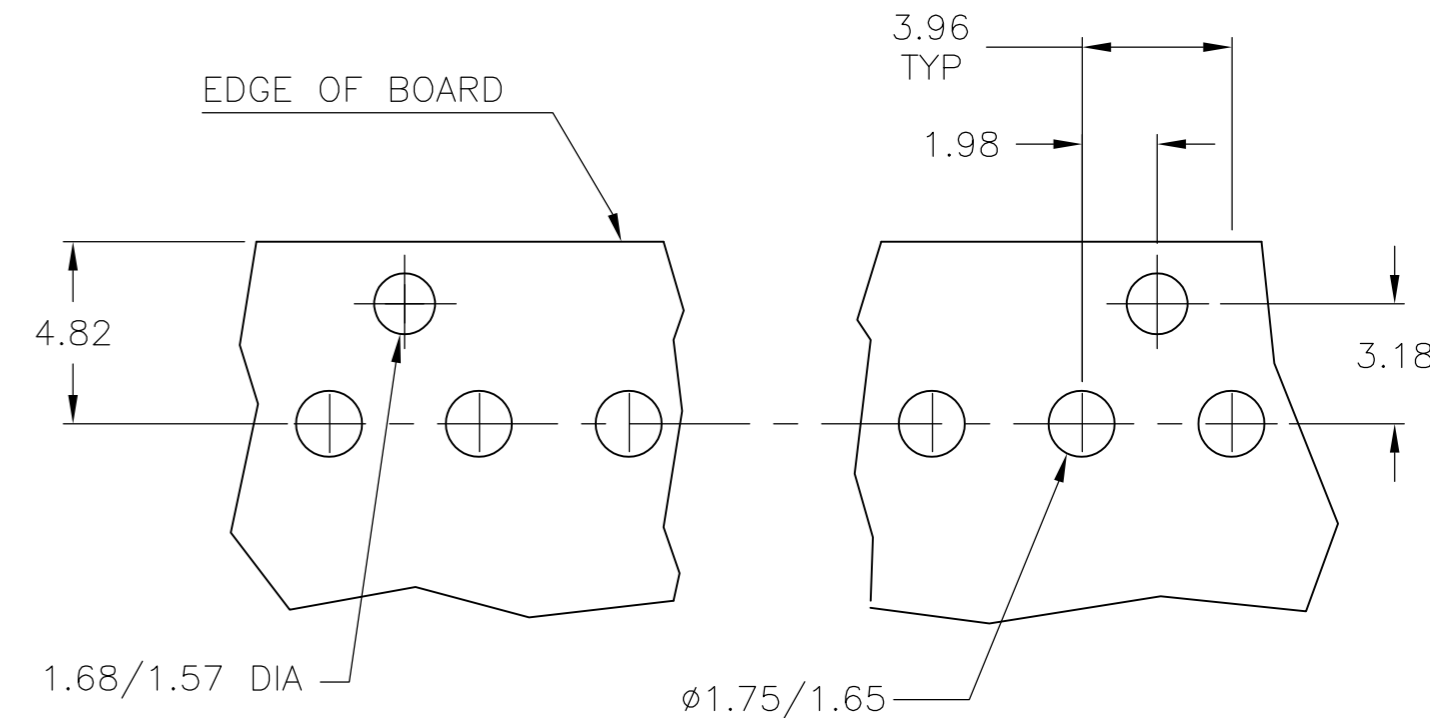
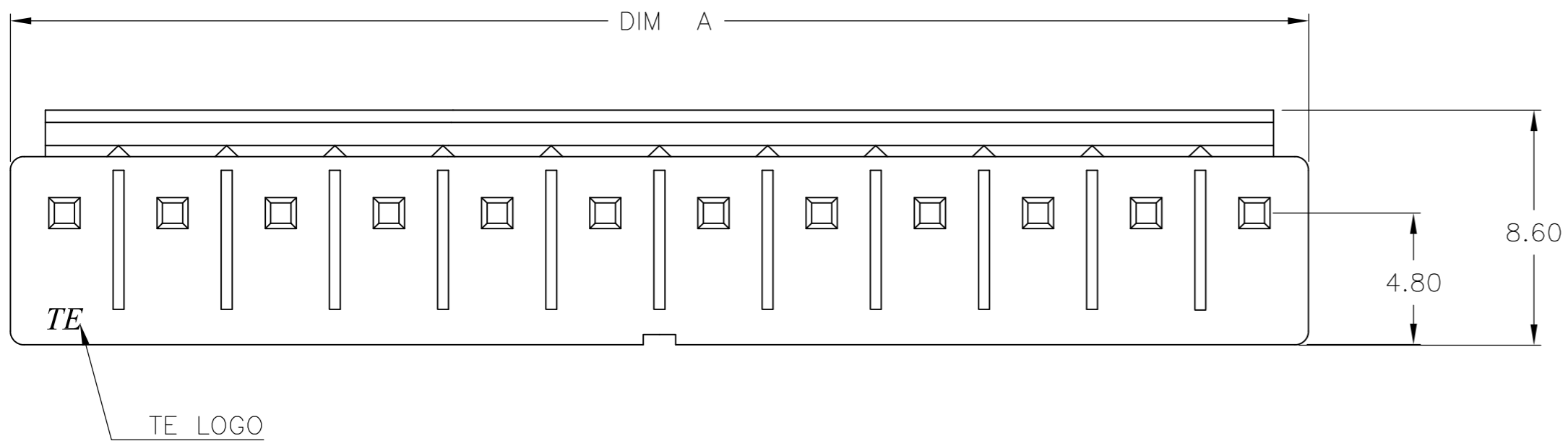
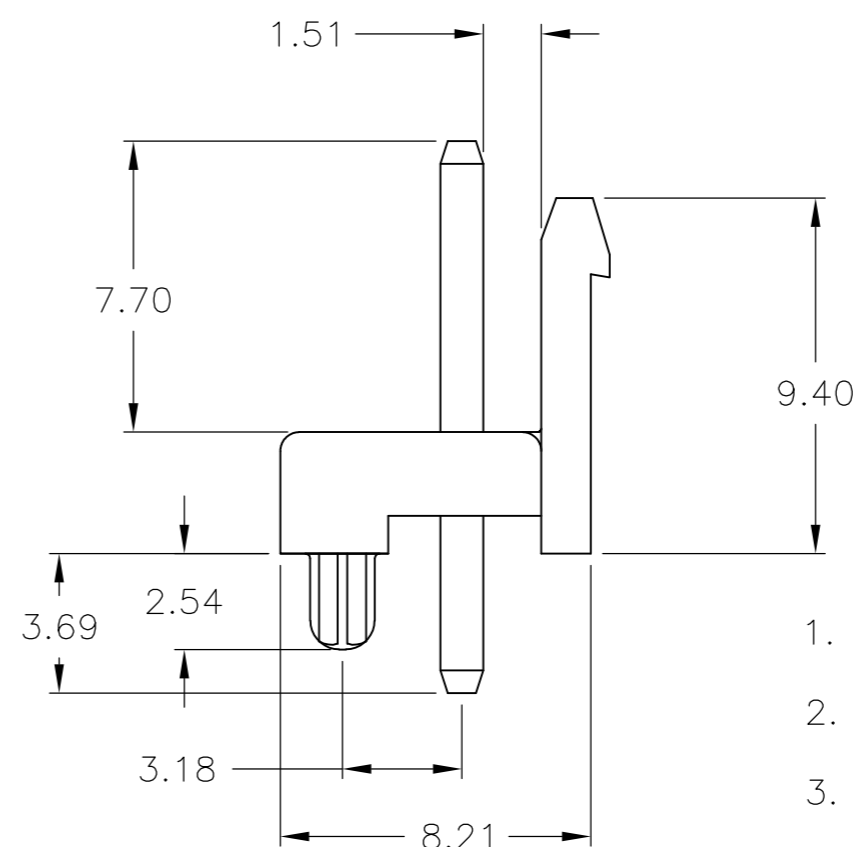
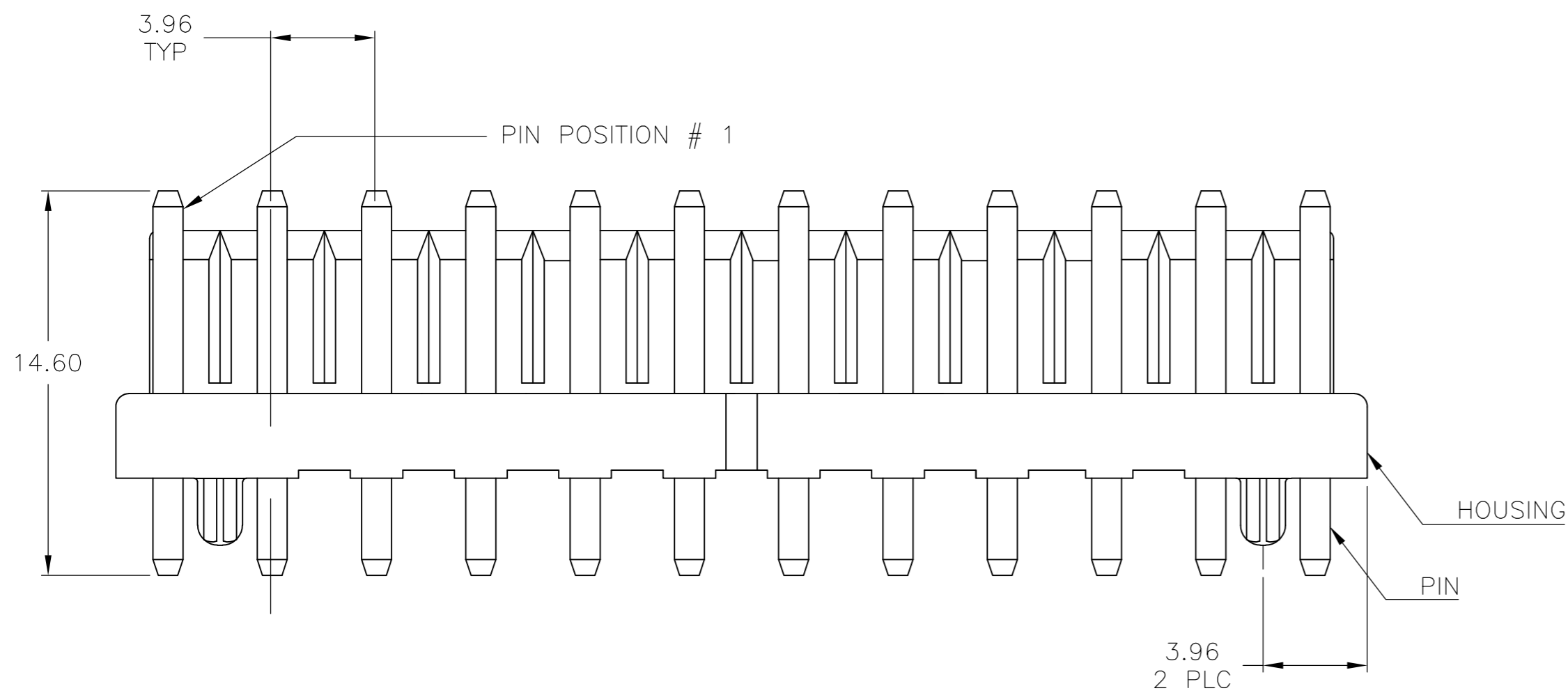


THIS DRAWING IS UNPUBLISHED. RELEASED FOR PUBLICATION  
 © COPYRIGHT By - ALL RIGHTS RESERVED.

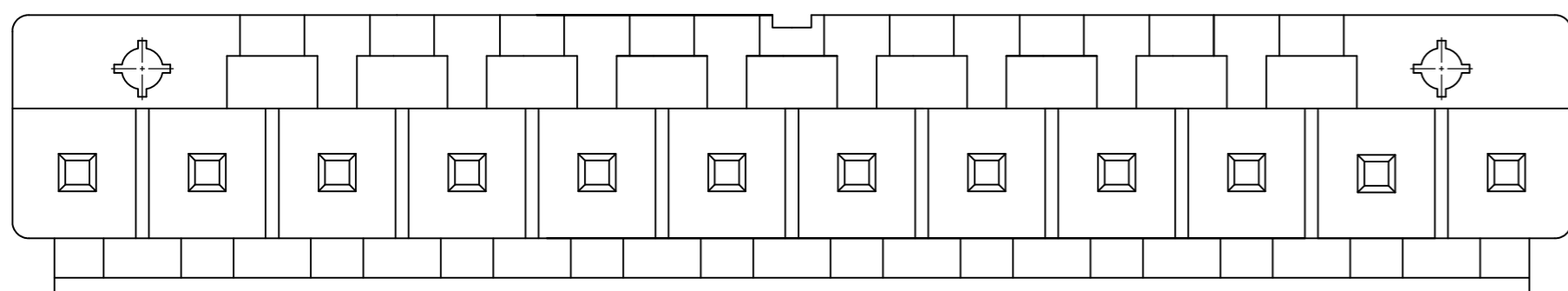
LOC		DIST		REVISIONS			
P	LTR	DESCRIPTION		DATE	DWN	APVD	
GP	00	D2	REVISED PER ECR-15-000133		15JAN15	O.C	D.Z



RECOMMENDED MOUNTING HOLE PATTERN FOR 1.60 THICK PC BOARD



1. HOUSING MATERIAL: NYLON, UL94 V0.
2. PIN MATERIAL: BRASS.
3. PIN PLATING: 0.0030 MIN TIN OVER 0.0010 NICKEL.
4. 2 POSITION HAS 1 PEG, ALL OTHERS HAVE 2 PEGS.
5. COMPLY WITH GLOW WIRE REQUIREMENTS FOR PARTS OF NON-METALLIC MATERIAL SUPPORTING A CURRENT-CARRYING CONNECTION DETAILED IN IEC 60335-1, SECTION 30 (GWT).



1-1744429-2 SHOWN  
 SEE THE TABLE FOR PART NUMBER INFORMATION

12	NATURAL	47.52±0.30	1-1744429-2
11	NATURAL	43.56±0.30	1-1744429-1
10	NATURAL	39.60±0.30	1-1744429-0
NO. OF POSITIONS	COLOR	DIM A	PART NUMBER

THIS DRAWING IS A CONTROLLED DOCUMENT.		DWN B WAYNE 10NOV14	TE Connectivity	
DIMENSIONS: mm		CHK TOM MICHELUTTI 10NOV14	NAME	
TOLERANCES UNLESS OTHERWISE SPECIFIED: 0 PLC ± 1 PLC ± 0.5 2 PLC ± 0.30 3 PLC ± - 4 PLC ± ANGLES ±		APVD TOM MICHELUTTI 10NOV14	PRODUCT SPEC	
MATERIAL SEE NOTES		FINISH	APPLICATION SPEC	
		WEIGHT	SIZE A2	CAGE CODE 00779
		CUSTOMER DRAWING	DRAWING NO 1-1744429-2	
			SCALE N/A	SHEET 1 of 1
			REV D2	RESTRICTED TO -