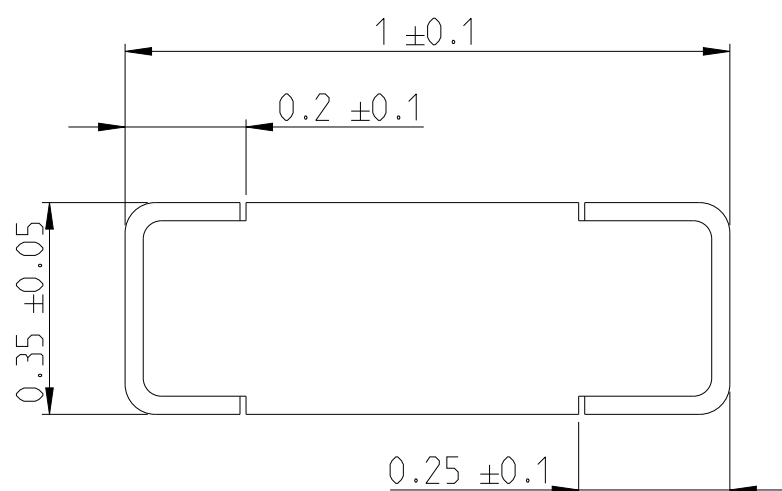


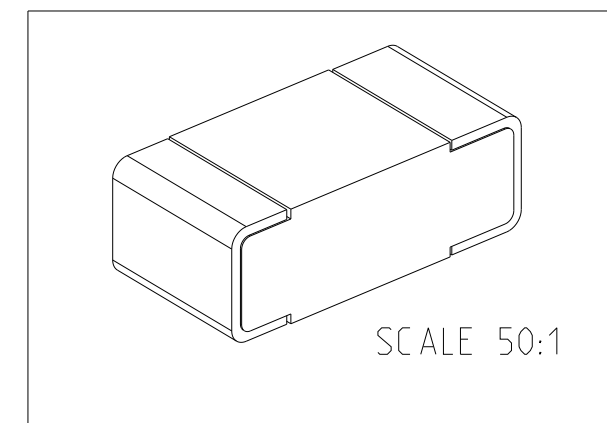
REVISIONS

P	LTR	DESCRIPTION	DATE	DWN	APVD
	BB	NEW RELEASE	15DEC2021	DM	AP
	BB1	UPDATED PN SCHEDULE	29JUN2022	LG	AP

FOR FURTHER INFORMATION SEE DATA SHEET FOR
CRG SERIES-THICK FILM CHIP RESISTORS



RoHS Compliant



THIS DRAWING IS A CONTROLLED DOCUMENT.

DWN DHEERAJ M 15DEC2021

CHK ALLAN P 15DEC2021

APVD ALLAN P 15DEC2021

PRODUCT SPEC -

APPLICATION SPEC -

WEIGHT -

CUSTOMER DRAWING



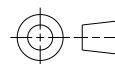
NAME RESISTOR LAB KIT TYPE CRG0402
1% SERIES

SIZE	CAGE CODE	DRAWING NO	RESTRICTED TO
------	-----------	------------	---------------

A3	00779	C-1-1625873-4	-
----	-------	---------------	---

DIMENSIONS: mm

TOLERANCES UNLESS OTHERWISE SPECIFIED:



- 0 PLC ± 0.5
- 1 PLC ± 0.2
- 2 PLC ± 0.1
- 3 PLC ± -
- 4 PLC ± -
- ANGLES ± - 45°

MATERIAL -

FINISH -


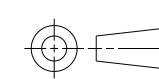
SCALE	SHEET	OF	REV
80:1	1	3	BB1

REVISIONS

P	LTR	DESCRIPTION	DATE	DWN	APVD
	-	SEE SHEET 1	-	-	-

PART NUMBER	PRODUCT NUMBER	DESCRIPTION	Qty / Kit
6-1622826-4	CRG0402ZR	CRG0402 ZEROHM	100
9-1676480-8	CRG0402F10R	CRG0402 1% 10R	100
8-1622826-4	CRG0402F12R	CRG0402 1% 12R	100
8-1622826-6	CRG0402F15R	CRG0402 1% 15R	100
8-1622826-3	CRG0402F18R	CRG0402 1% 18R	100
8-1622826-2	CRG0402F22R	CRG0402 1% 22R	100
8-1622826-9	CRG0402F27R	CRG0402 1% 27R	100
9-1622826-0	CRG0402F33R	CRG0402 1% 33R	100
9-1622826-1	CRG0402F39R	CRG0402 1% 39R	100
9-1622826-2	CRG0402F47R	CRG0402 1% 47R	100
9-1622826-3	CRG0402F56R	CRG0402 1% 56R	100
9-1622826-5	CRG0402F68R	CRG0402 1% 68R	100
9-1622826-6	CRG0402F75R	CRG0402 1% 75R	100
9-1622826-7	CRG0402F82R	CRG0402 1% 82R	100
1676480-2	CRG0402F100R	CRG0402 1% 100R	100
1676480-8	CRG0402F120R	CRG0402 1% 120R	100

PART NUMBER	PRODUCT NUMBER	DESCRIPTION	Qty / Kit
1-1676480-4	CRG0402F150R	CRG0402 1% 150R	100
2-1676480-0	CRG0402F180R	CRG0402 1% 180R	100
3-1676480-4	CRG0402F220R	CRG0402 1% 220R	100
4-1676480-0	CRG0402F270R	CRG0402 1% 270R	100
5-1676480-0	CRG0402F330R	CRG0402 1% 330R	100
5-1676480-6	CRG0402F390R	CRG0402 1% 390R	100
6-1676480-6	CRG0402F470R	CRG0402 1% 470R	100
7-1676480-4	CRG0402F560R	CRG0402 1% 560R	100
8-1676480-2	CRG0402F680R	CRG0402 1% 680R	100
9-1676480-1	CRG0402F820R	CRG0402 1% 820R	100
2-1676480-2	CRG0402F1K0	CRG0402 1% 1K0	100
2-1676480-4	CRG0402F1K2	CRG0402 1% 1K2	100
2-1676480-6	CRG0402F1K5	CRG0402 1% 1K5	100
2-1676480-8	CRG0402F1K8	CRG0402 1% 1K8	100
4-1676480-3	CRG0402F2K2	CRG0402 1% 2K2	100
4-1676480-5	CRG0402F2K7	CRG0402 1% 2K7	100


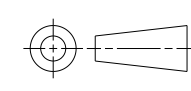
THIS DRAWING IS A CONTROLLED DOCUMENT.		DWN DHEERAJ M 15DEC 2021	 TE Connectivity	
DIMENSIONS: mm		CHK ALLAN P 15DEC 2021		
TOLERANCES UNLESS OTHERWISE SPECIFIED:		APVD ALLAN P 15DEC 2021	NAME RESISTOR LAB KIT TYPE CRG0402 1% SERIES	
		PRODUCT SPEC -	APPLICATION SPEC -	
MATERIAL -		FINISH -	WEIGHT -	RESTRICTED TO -
		SIZE A3		CAGE CODE 00779
		DRAWING NO C-1-1625873-4		SCALE 80:1
		SHEET 2 OF 3		REV BB1
		CUSTOMER DRAWING		

REVISIONS

P	LTR	DESCRIPTION	DATE	DWN	APVD
-		SEE SHEET 1	-	-	-

PART NUMBER	PRODUCT NUMBER	DESCRIPTION	Qty / Kit
5-1676480-9	CRG0402F3K3	CRG0402 1% 3K3	100
6-1676480-1	CRG0402F3K9	CRG0402 1% 3K9	100
6-1676480-9	CRG0402F4K7	CRG0402 1% 4K7	100
7-1676480-7	CRG0402F5K6	CRG0402 1% 5K6	100
8-1676480-5	CRG0402F6K8	CRG0402 1% 6K8	100
9-1676480-3	CRG0402F8K2	CRG0402 1% 8K2	100
1676480-3	CRG0402F10K	CRG0402 1% 10K	100
1676480-9	CRG0402F12K	CRG0402 1% 12K	100
1-1676480-5	CRG0402F15K	CRG0402 1% 15K	100
2-1676480-1	CRG0402F18K	CRG0402 1% 18K	100
3-1676480-5	CRG0402F22K	CRG0402 1% 22K	100
4-1676480-1	CRG0402F27K	CRG0402 1% 27K	100
5-1676480-1	CRG0402F33K	CRG0402 1% 33K	100
5-1676480-7	CRG0402F39K	CRG0402 1% 39K	100
6-1676480-7	CRG0402F47K	CRG0402 1% 47K	100
7-1676480-5	CRG0402F56K	CRG0402 1% 56K	100

PART NUMBER	PRODUCT NUMBER	DESCRIPTION	Qty / Kit
8-1676480-3	CRG0402F68K	CRG0402 1% 68K	100
9-1676480-2	CRG0402F82K	CRG0402 1% 82K	100
1676480-1	CRG0402F100K	CRG0402 1% 100K	100
1676480-7	CRG0402F120K	CRG0402 1% 120K	100
1-1676480-3	CRG0402F150K	CRG0402 1% 150K	100
1-1676480-9	CRG0402F180K	CRG0402 1% 180K	100
3-1676480-3	CRG0402F220K	CRG0402 1% 220K	100
3-1676480-9	CRG0402F270K	CRG0402 1% 270K	100
4-1676480-9	CRG0402F330K	CRG0402 1% 330K	100
5-1676480-5	CRG0402F390K	CRG0402 1% 390K	100
6-1676480-5	CRG0402F470K	CRG0402 1% 470K	100
7-1676480-3	CRG0402F560K	CRG0402 1% 560K	100
8-1676480-1	CRG0402F680K	CRG0402 1% 680K	100
9-1676480-0	CRG0402F820K	CRG0402 1% 820K	100
2-1676480-9	CRG0402F1M0	CRG0402 1% 1M0	100

THIS DRAWING IS A CONTROLLED DOCUMENT.		DWN DHEERAJ M 15DEC 2021	 TE Connectivity	
DIMENSIONS: mm		CHK ALLAN P 15DEC 2021		
TOLERANCES UNLESS OTHERWISE SPECIFIED:		APVD ALLAN P 15DEC 2021	NAME RESISTOR LAB KIT TYPE CRG0402 1% SERIES	
		PRODUCT SPEC -	RESTRICTED TO	
MATERIAL -		FINISH -	APPLICATION SPEC -	SIZE A3
		WEIGHT -	CAGE CODE 00779	DRAWING NO C-1-1625873-4
		CUSTOMER DRAWING	SCALE 80:1	SHEET 3 OF 3
				REV BB1