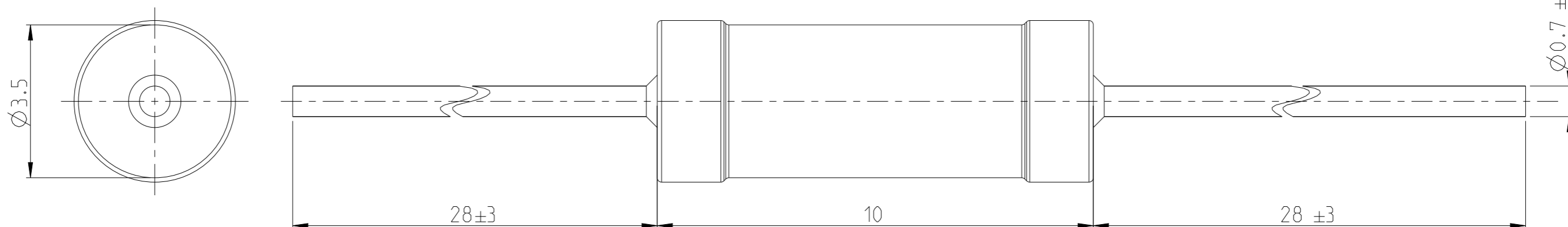


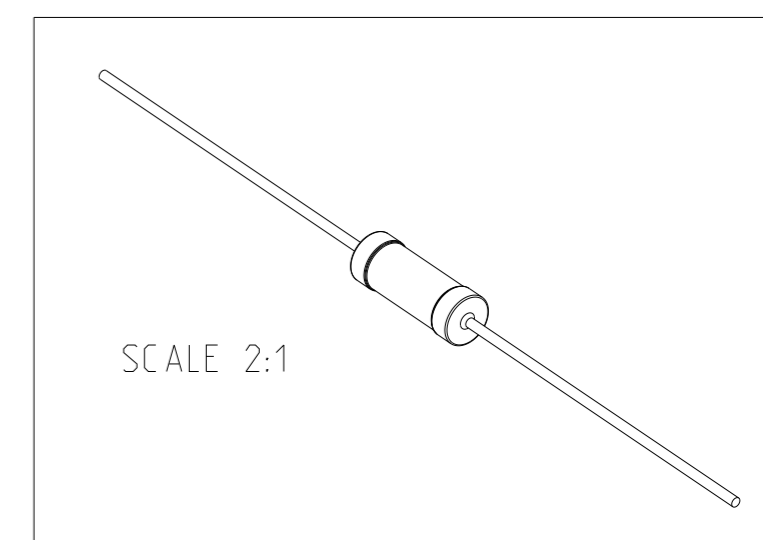
REVISIONS

P	LTR	DESCRIPTION	DATE	DWN	APVD
	BB	NEW RELEASE	14DEC2021	DM	AP

FOR FURTHER INFORMATION SEE DATA SHEET FOR SERIES ROX, FLAME-PROOF POWER METAL OXIDE FILM RESISTORS



RoHS Compliant



THIS DRAWING IS A CONTROLLED DOCUMENT.

DWN DHEERAJ M 14DEC2021

CHK ALLAN P 14DEC2021

APVD ALLAN P 14DEC2021

PRODUCT SPEC -

APPLICATION SPEC -

WEIGHT -

CUSTOMER DRAWING



TE Connectivity

RESISTOR LAB KIT TYPE ROX1S SERIES

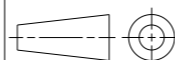
SIZE CAGE CODE DRAWING NO RESTRICTED TO

A3 00779 C-1-1625873-3 -

SCALE 10:1 SHEET 1 OF 2 REV BB

DIMENSIONS: mm

TOLERANCES UNLESS OTHERWISE SPECIFIED:



- 0 PLC ± 0.2
- 1 PLC ± 0.1
- 2 PLC ± -
- 3 PLC ± -
- 4 PLC ± -
- ANGLES ± 5°

MATERIAL FINISH

© 2021 TE Connectivity. All Rights Reserved.

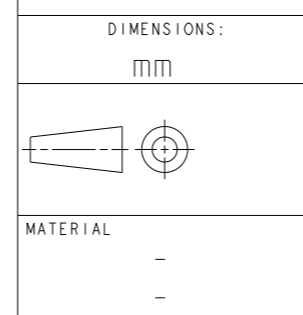
REVISIONS

Part number	Product number	Description	Qty	Kit	Page
1625885-1	ROX1SJR10	1W SM M/OX5% R10	20		1F
1625885-3	ROX1SJR15	1W SM M/OX5% R15	20		1F
1625885-6	ROX1SJR22	1W SM M/OX5% R22	20		1F
1625885-7	ROX1SJR33	1W SM M/OX5% R33	20		1F
1625885-8	ROX1SJR47	1W SM M/OX5% R47	20		1F
1625885-9	ROX1SJR68	1W SM M/OX5% R68	20		1F
3-1625885-8	ROX1SJ1R0	1W SM M/OX5% 1R0	20		1F
3-1625885-9	ROX1SJ1R2	1W SM M/OX5% 1R2	20		1F
4-1625885-0	ROX1SJ1R5	1W SM M/OX5% 1R5	20		1F
4-1625885-1	ROX1SJ1R8	1W SM M/OX5% 1R8	20		1B
5-1625885-5	ROX1SJ2R2	1W SM M/OX5% 2R2	20		1B
5-1625885-6	ROX1SJ2R7	1W SM M/OX5% 2R7	20		1B
1-1625886-4	ROX1SJ3R3	1W SM M/OX5% 3R3	20		1B
1-1625886-5	ROX1SJ3R9	1W SM M/OX5% 3R9	20		1B
2-1625886-2	ROX1SJ4R7	1W SM M/OX5% 4R7	20		1B
3-1625886-0	ROX1SJ5R6	1W SM M/OX5% 5R6	20		1B
3-1625886-9	ROX1SJ6R8	1W SM M/OX5% 6R8	20		1B
4-1625886-6	ROX1SJ8R2	1W SM M/OX5% 8R2	20		1B
1-1625885-4	ROX1SJ10R	1W SM M/OX5% 10R	20		2F
1-1625885-9	ROX1SJ12R	1W SM M/OX5% 12R	20		2F
2-1625885-5	ROX1SJ15R	1W SM M/OX5% 15R	20		2F
3-1625885-0	ROX1SJ18R	1W SM M/OX5% 18R	20		2F
4-1625885-7	ROX1SJ22R	1W SM M/OX5% 22R	20		2F
5-1625885-2	ROX1SJ27R	1W SM M/OX5% 27R	20		2F
1625886-6	ROX1SJ33R	1W SM M/OX5% 33R	20		2F
1-1625886-1	ROX1SJ39R	1W SM M/OX5% 39R	20		2F
2-1625886-0	ROX1SJ47R	1W SM M/OX5% 47R	20		2F
2-1625886-6	ROX1SJ56R	1W SM M/OX5% 56R	20		2B
3-1625886-6	ROX1SJ68R	1W SM M/OX5% 68R	20		2B
4-1625886-0	ROX1SJ75R	1W SM M/OX5% 75R	20		2B
4-1625886-4	ROX1SJ82R	1W SM M/OX5% 82R	20		2B
1-1625885-2	ROX1SJ100R	1W SM M/OX5% 100R	20		2B
1-1625885-7	ROX1SJ120R	1W SM M/OX5% 120R	20		2B
2-1625885-3	ROX1SJ150R	1W SM M/OX5% 150R	20		2B
2-1625885-7	ROX1SJ180R	1W SM M/OX5% 180R	20		2B
4-1625885-4	ROX1SJ220R	1W SM M/OX5% 220R	20		2B
5-1625885-0	ROX1SJ270R	1W SM M/OX5% 270R	20		3F
1625886-4	ROX1SJ330R	1W SM M/OX5% 330R	20		3F
1625886-9	ROX1SJ390R	1W SM M/OX5% 390R	20		3F
1-1625886-8	ROX1SJ470R	1W SM M/OX5% 470R	20		3F

Part number	Product number	Description	Qty	Kit	Page
2-1625886-4	ROX1SJ560R	1W SM M/OX5% 560R	20		3F
3-1625886-3	ROX1SJ680R	1W SM M/OX5% 680R	20		3F
4-1625886-2	ROX1SJ820R	1W SM M/OX5% 820R	20		3F
3-1625885-1	ROX1SJ1K0	1W SM M/OX5% 1K0	20		3F
3-1625885-2	ROX1SJ1K2	1W SM M/OX5% 1K2	20		3F
3-1625885-4	ROX1SJ1K5	1W SM M/OX5% 1K5	20		3B
3-1625885-5	ROX1SJ1K8	1W SM M/OX5% 1K8	20		3B
5-1625885-3	ROX1SJ2K2	1W SM M/OX5% 2K2	20		3B
5-1625885-4	ROX1SJ2K7	1W SM M/OX5% 2K7	20		3B
1-1625886-2	ROX1SJ3K3	1W SM M/OX5% 3K3	20		3B
1-1625886-3	ROX1SJ3K9	1W SM M/OX5% 3K9	20		3B
2-1625886-1	ROX1SJ4K7	1W SM M/OX5% 4K7	20		3B
2-1625886-9	ROX1SJ5K6	1W SM M/OX5% 5K6	20		3B
3-1625886-8	ROX1SJ6K8	1W SM M/OX5% 6K8	20		3B
4-1625886-5	ROX1SJ8K2	1W SM M/OX5% 8K2	20		4A
1-1625885-3	ROX1SJ10K	1W SM M/OX5% 10K	20		4A
1-1625885-8	ROX1SJ12K	1W SM M/OX5% 12K	20		4A
2-1625885-4	ROX1SJ15K	1W SM M/OX5% 15K	20		4A
2-1625885-8	ROX1SJ18K	1W SM M/OX5% 18K	20		4A
4-1625885-6	ROX1SJ22K	1W SM M/OX5% 22K	20		4A
5-1625885-1	ROX1SJ27K	1W SM M/OX5% 27K	20		4A
1625886-5	ROX1SJ33K	1W SM M/OX5% 33K	20		4A
1-1625886-0	ROX1SJ39K	1W SM M/OX5% 39K	20		4A
1-1625886-9	ROX1SJ47K	1W SM M/OX5% 47K	20		4B
2-1625886-5	ROX1SJ56K	1W SM M/OX5% 56K	20		4B
3-1625886-4	ROX1SJ68K	1W SM M/OX5% 68K	20		4B
5-1625885-7	ROX1SJ82K	1W SM M/OX5% 82K	20		4B
1-1625885-1	ROX1SJ100K	1W SM M/OX5% 100K	20		4B
1-1625885-5	ROX1SJ120K	1W SM M/OX5% 120K	20		4B
2-1625885-0	ROX1SJ150K	1W SM M/OX5% 150K	20		4B
2-1625885-6	ROX1SJ180K	1W SM M/OX5% 180K	20		4B
4-1625885-3	ROX1SJ220K	1W SM M/OX5% 220K	20		4B
4-1625885-9	ROX1SJ270K	1W SM M/OX5% 270K	20		5A
1625886-2	ROX1SJ330K	1W SM M/OX5% 330K	20		5A
1625886-8	ROX1SJ390K	1W SM M/OX5% 390K	20		5A
1-1625886-7	ROX1SJ470K	1W SM M/OX5% 470K	20		5A
2-1625886-3	ROX1SJ560K	1W SM M/OX5% 560K	20		5A
3-1625886-1	ROX1SJ680K	1W SM M/OX5% 680K	20		5A
4-1625886-1	ROX1SJ820K	1W SM M/OX5% 820K	20		5A
3-1625885-6	ROX1SJ1M0	1W SM M/OX5% 1M0	20		5A

P	LTR	DESCRIPTION	DATE	DWN	APVD
	-	SEE SHEET 1	-	-	-

THIS DRAWING IS A CONTROLLED DOCUMENT.



TOLERANCES UNLESS OTHERWISE SPECIFIED:	
0 PLC	± 0.2
1 PLC	± 0.1
2 PLC	± -
3 PLC	± -
4 PLC	± -
ANGLES	± 5°
FINISH	-

DWN	DHEERAJ M	14DEC 2021
CHK	ALLAN P	14DEC 2021
APVD	ALLAN P	14DEC 2021
PRODUCT SPEC	-	-
APPLICATION SPEC	-	-
WEIGHT	-	-
CUSTOMER DRAWING		

STE TE Connectivity

NAME: RESISTOR LAB KIT TYPE ROX1S SERIES

SIZE	CAGE CODE	DRAWING NO	RESTRICTED TO
A3	00779	©-1-1625873-3	-

SCALE: 5:1 SHEET: 2 OF 2 REV: BB