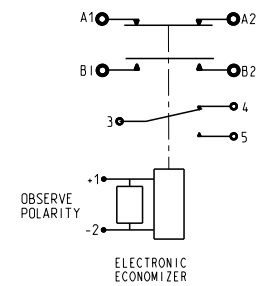
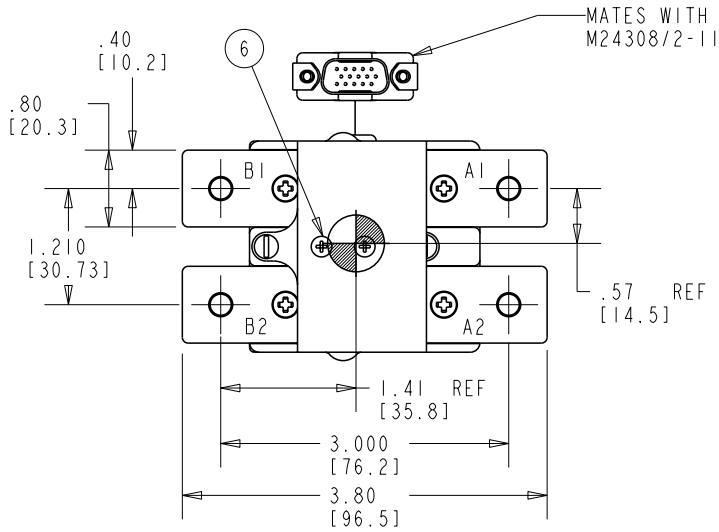


REVISIONS		RELEASED		APPROVED
REV.	DESCRIPTION	DATE		
A	RELEASED TO PROD. FROM REV 4. ADDED TIMES	27APR2015		RSS
B	17-008398 NOTE 4: 8" WAS 7"	09JUN2017		RSS



**CONSTRUCTION:**  
 GASKET SEALED  
 MAIN CONTACTS CONFIGURATION: IN.C + IN.O. DOUBLE BREAK  
 VOLTAGE: 28VDC  
 RESISTIVE: 400 AMPS  
 RUPTURE: 4000 AMPS  
 VOLTAGE DROP: 150 mV MAX  
 BOUNCE: 5 mS AT 28 VDC 25°C

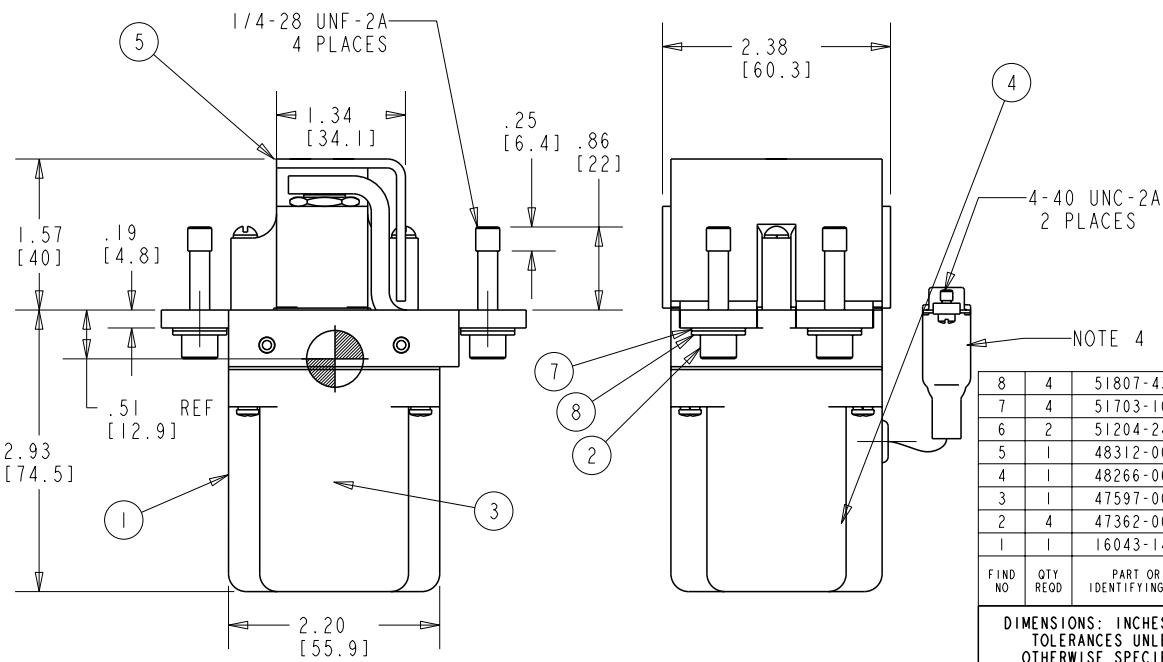
**AUXILIARY CONTACTS:**  
 CONFIGURATION: SPDT  
 VOLTAGE: 28 VDC  
 RESISTIVE: 5 AMP  
 INDUCTIVE: 1 AMP  
 BOUNCE: 5 mS AT 28 VDC 25°C  
 DIELECTRIC WITHSTAND: 1000 Vrms

**COIL DATA:**  
 DUTY CYCLE: CONTINUOUS (ELECTRONIC ECONOMIZED)  
 PICKUP VOLTAGE: 18 VDC  
 20 VDC MAX AT +85°C  
 MAX OPERATE VOLTAGE: 32 VDC  
 DROPOUT: 1.5-7 VDC  
 INRUSH: 12 AMPS MAX FOR APPROX 100 ms  
 HOLD: 600 mA  
 PICKUP TIME: 25 mS AT 25°C  
 DROPOUT TIME: 25 mS AT 25°C  
 SUPPRESSION: ±42 V

**ENVIRONMENTAL DATA:**  
 GROUND SURVIVABILITY TEMP: -55°C TO +85°C  
 NOMINAL OPERATE TEMP: -55 TO +70°C  
 ALTITUDE: 55,000 FT  
 DECOMPRESSION: 55,000 FT

**LIFE ELECTRICAL:** 50,000 CYCLES  
**LIFE MECHANICAL:** 100,000 CYCLES

**WEIGHT MAX:** 1.88 LBS.



- NOTES:**
- INSTALLATION TORQUE 1/4-28 UNF-2A - 56 IN-LBS
  - INSTALLATION TORQUE 4-40 UNC-2A - 4 IN-LBS
  - STATIONARY BUS BARS ARE SILVER PLATED, ASTM B700, TYPE II, GRADE D SEMI BRIGHT CLASS N
  - LEAD LENGTH: FROM CENTER OF GROMMET TO FACE OF CONNECTOR TO BE 8.00" ±0.50
  - CONNECTOR FINISH TO BE ZINC PLATE, YELLOW CHROMATE

FIND NO	QTY RECD	PART OR IDENTIFYING NO	NOMENCLATURE OR DESCRIPTION	DRAWING OR SPECIFICATION	FSCM NO	TE PART NO	MATERIAL OR NOTE
8	4	51807-430	WASHER, BELLEVILLE 1/4				6-1616949-6
7	4	51703-100	WASHER 17/64 ID X 9/16 OD				4-1616945-7
6	2	51204-241	SCREW 4-40 X 3/16 FL HD				1-1616344-9
5	1	48312-001	TERMINAL SHIELD				9-1616984-9
4	1	48266-060	PRIMARY ASSEMBLY				1-1616989-8
3	1	47597-007	PLATE SCHEMATIC				1616989-4
2	4	47362-006	SOCKET CAP TERMINAL SCREW				1616990-6
1	1	16043-148	NAME PLATE				5-1616995-4

**DIMENSIONS: INCHES [mm]**  
 TOLERANCES UNLESS OTHERWISE SPECIFIED  
 2 PL DEC. 13 PL DEC. ANGLES  
 ±.06 ±.010 ± 1°

DR BY	RSS	12-05-03
CHK BY		
ENGR	RSS	12-05-03
MFG		
SIZE	CODE IDENT	
A	74063	
SCALE NONE	SHEET 1 OF 1	

**STC**  
 Harman Division 175 N. DIAMOND STREET MANSFIELD, OHIO 44902

CONTACTOR - 1 N.O + 1 N.C  
 400 AMPS, 28 VDC

DWG NO. KD400B2C2

REF TE PN 1-1616989-7