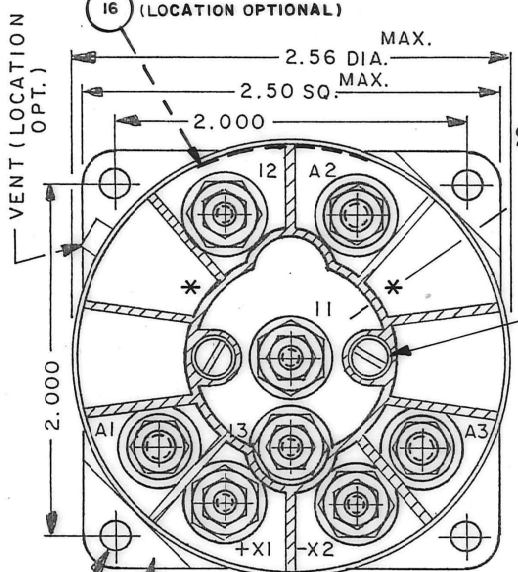
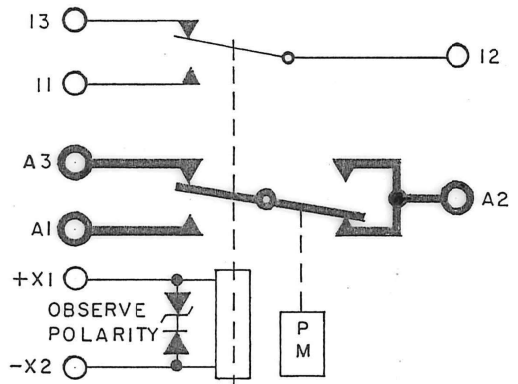


FAA/PMA

REVISIONS			
SY#	DESCRIPTION	DATE	APPROVED
B	REDRAWN, P/L, VIEW & WIRING UPDATED	11-5-86	RS
C	18536 ITEM 4 WAS 40544-001	7-28-87	RS
D	18988 UPDATED VIEW 19057 ADDED FAA/PMA PLATE & STAMP	10-29-87	RS
E	20089 ITEM 9 WAS 51205-821	11-20-89	RS
F	20775 ITEM 16 P/N WAS 41194-001	5-31-90	JD

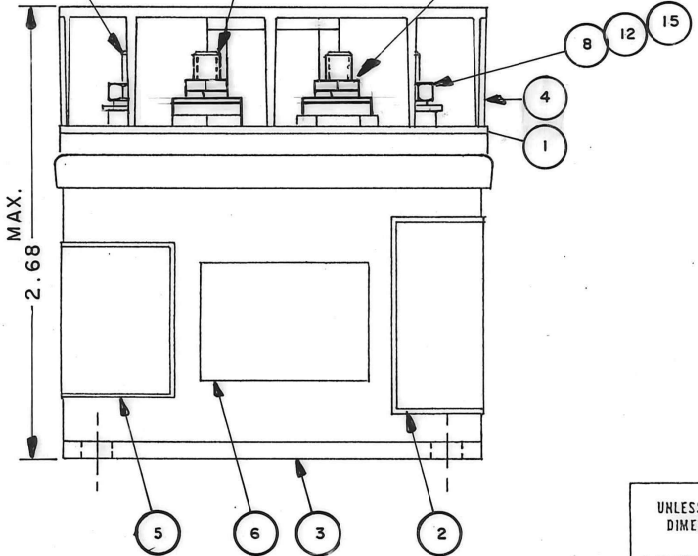


CONSTRUCTION GASKET SEALED & VENTED
 NOMINAL VOLTAGE 28 VDC
 CONTACT ARRANGEMENT MAIN AUX
 CONTACT RATING SPDT DOUBLE BREAK
 SPDT SINGLE BREAK
 COIL RATING 11, 12, 13
 PICKUP 18 VOLTS MAX HOT
 DROPOUT 1.5 - 7 VOLTS MAX HOT
 RATED DUTY CONTINUOUS
 TEMP RATING -55°C TO +71°C
 MAX WEIGHT 13 OZ
 COIL RESISTANCE 126 OHM



- NOTES
1. COIL TRANSIENT VOLTAGE LIMITED TO ± 42. VOLT REFERENCED TO ZERO VOLTS.
 2. * TERMINAL SHIELD NOTCHED TWO PLACES FOR TERMINAL LEADS NO. 11 & 13

REMOVE PAINT BOTH SIDES OF EITHER OF 2 OPPOSITE MTG. HOLES.
 .171 ± .004 DIA. HOLE, 4 MTG. HOLES
 10-32 UNF-2A 3 STUDS
 6-32 UNC-2A 5 STUDS



UNLESS OTHERWISE SPECIFIED DIMENSIONS ARE IN INCHES TOLERANCES ON
 2 PL. DEC. 3 PL. DEC. ANGLES
 ±.03 ±.010 ± 1°

FIND NO	QTY RECD	PART OR IDENTIFYING NO	NOMENCLATURE OR DESCRIPTION	FSCM NO	DRAWING OR SPECIFICATION	MATERIAL OR NOTE
16	1	58400-040	PLATE - FAA/PMA			
15	3	51810-054	WASHER - LOCK, NO.10 SPLIT			BRONZE
14	5	51806-014	WASHER - LOCK, NO.6 SPLIT			BRONZE
13	2	51805-011	WASHER - LOCK, NO.5 SPLIT			BRONZE
12	3	51712-194	WASHER - 7/16 X .203 X .031 FL.			BRASS
11	5	51702-204	WASHER - 3/8 X 9/64 X .032 FL.			BRASS
10	2	51701-180	WASHER - .015 X .130 X 3/16			MYLAR
9	2	51205-561	SCREW - 5-40 X 7/16 RD. HD.			BRASS
8	3	50410-054	NUT - 10-32 X 5/16 X 7/64 HEX			BRASS
7	5	50406-034	NUT - 6-32 X 1/4 X 5/64 HEX			BRASS
6	1	17959-001	PLATE - WARNING			
5	1	16043-001	PLATE - NAME			
4	1	15549-006	SHIELD - TERMINAL			
3	1	40533-010	CONTACTOR ASSEMBLY - PRIMARY			
2	1	40543-001	PLATE - WIRING DIAGRAM			
1	1	32517-012	PLATE - BASE COVER			

HARTMAN ELECTRICAL MANUFACTURING
 MANSFIELD, OHIO

DR BY J. J. D. 11-5-86
 CHECKED RS 11-11-86
 ENGINEER RCF 11-11-86
 MFG. RT 11-20-86

CONTACTOR - SPDT
 50 AMP 28VDC

DASH NO	NEXT ASSY	USED ON	SIZE	FSCM NO	DWG NO
			C	74063	D-7TC
APPLICATION			SCALE 2/1	SHEET	

DWG NO D-7TC