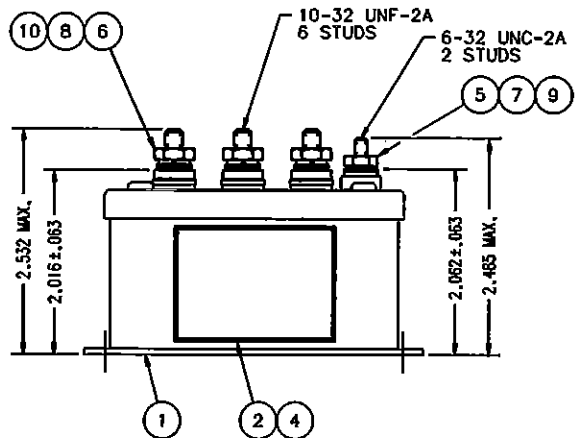
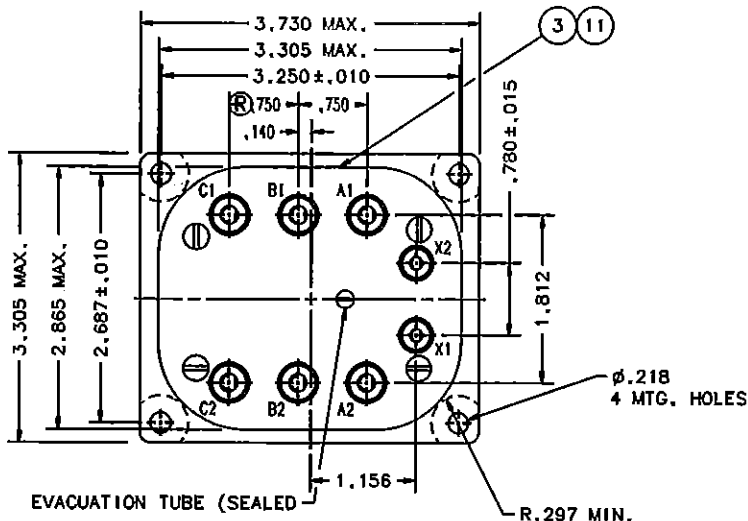


REVISIONS		RELEASED	
REV.	DESCRIPTION	DATE	APPROVED
B	40050 FIND 4 QTY WAS 2, FIND 11 ADDED	99-08-01	RS
C	45587 TITLE BLOCK: 50 AMP WAS 60 AMP	01/09/26	CP

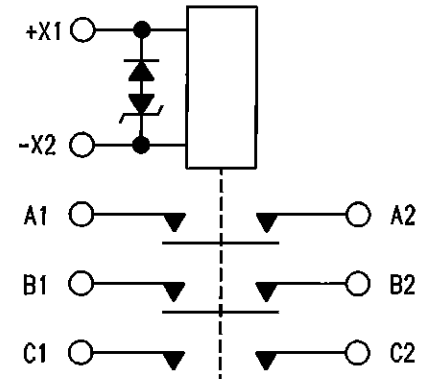


CONSTRUCTION HERMETIC SEALED, REPAIRABLE
CONTACT CONFIGURATION MAINS 3 P S T N, 0
CONTACT RATING
VOLTAGE 115 VAC 400 HZ 28 VDC
CURRENT AT 125° C MAINS MAINS
RESISTIVE 50 AMP 50 AMP
MOTOR 50 AMP 50 AMP
INDUCTIVE 50 AMP 25 AMP
LAMP 25 AMP 25 AMP

COIL DATA
RATING CONTINUOUS DUTY
NOMINAL VOLTAGE 28 VDC
PICKUP VOLTAGE 18 VDC MAX.
DROPOUT VOLTAGE 1.5 - 7 VDC
CURRENT AT 29 VDC 0.6 AMPS MAX.
TRANSIENT SUPPRESSION ±45 VOLTS MAX.

OPERATE TIME AT 25°C & 28 VDC
CLOSE TIME 0.025 SECONDS MAX.
RELEASE TIME 0.010 SECONDS MAX.
BOUNCE MAIN 2 MS MAX.
AMBIENT TEMPERATURE -55°C TO +125°C
LIFE ELECTRICAL 100,000 CYCLES
LIFE MECHANICAL 200,000 CYCLES

WEIGHT 1.12 LBS. MAX.



NOTES:

- THIS UNIT MEETS THE MATERIAL AND WORKMANSHIP REQUIREMENTS OF MIL-R-6105

11	1	39529-007	OVERLAY-WIRING DIAGRAM			
10	6	51810-054	WASHER LOCK NO. 10 SPLIT		AN 935 B10	BRONZE
9	2	51806-014	WASHER LOCK NO. 6 SPLIT		AN 935 B6	BRONZE
8	12	51702-844	WASHER FLAT 3/8 X 13/64 X .032			BRASS
7	4	51702-204	WASHER FLAT 3/8 X 9/64 X .032			BRASS
6	6	50410-084	NUT 10-32 X 3/8 X 1/8 HEX			BRASS
5	2	50406-064	NUT 6-32 X 5/16 X 7/64 HEX			BRASS
4	1	39529-001	OVERLAY			
3	1	44840-001	PLATE-WIRING DIAGRAM			
2	1	16043-001	PLATE-NAME			
1	1	42301-020	CONTACTOR ASSEMBLY-PRI.			
FIND NO	QTY	PART OR IDENTIFYING NO	NOMENCLATURE OR DESCRIPTION	FSCM NO	DRAWING OR SPECIFICATION	MATERIAL OR NOTE
UNLESS OTHERWISE SPECIFIED DIMENSIONS ARE IN INCHES TOLERANCES DI			 Hartman Division • 175 W. DIAMOND STREET • MANSFIELD, OHIO 44902			
2 PL DEC	3 PL DEC	ANGLES	DR BY	CSC	01/10/10	RELAY-50 AMP, 115 VAC, 400 HZ OR 28 VDC
.06	.010	.1°	CHK BY	CC	01/01/10	
REF.			ENGR	JXL	01-10-11	
			MFG	PL	01-10-11	
			RELEASE			093
			CONTR NO.	C	74063	DWG NO. BH-316C
			GOVT APPVL			SCALE NONE
					SHEET 1 OF 1	