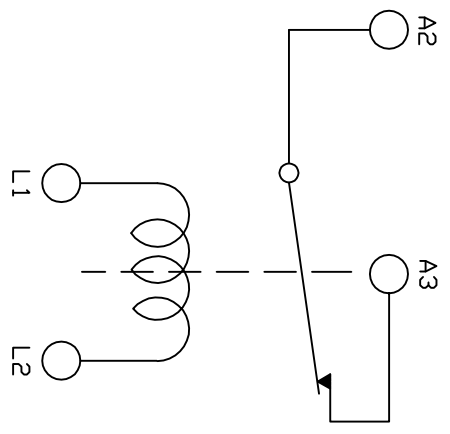
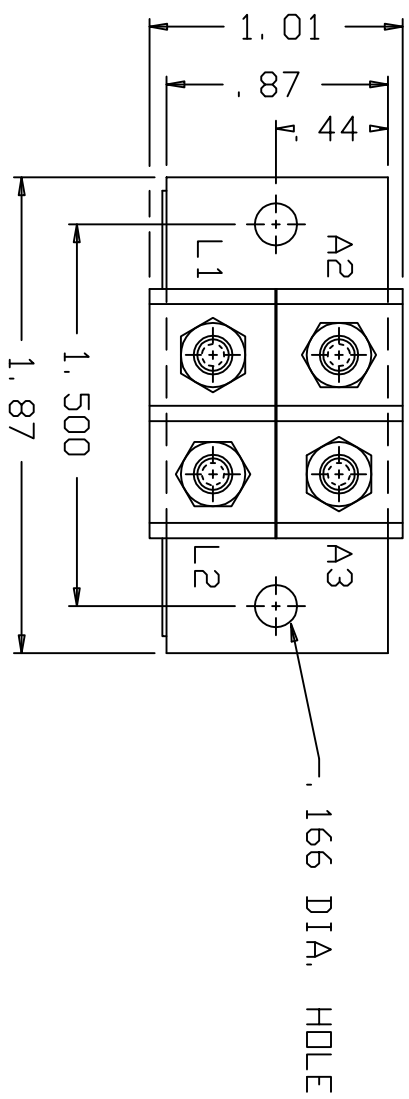
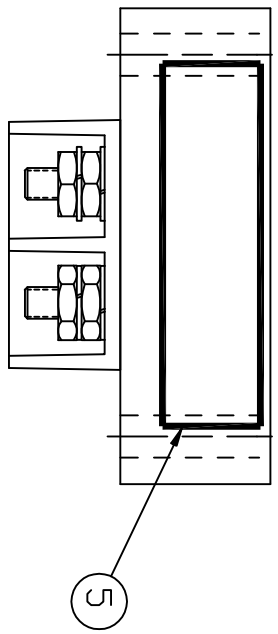
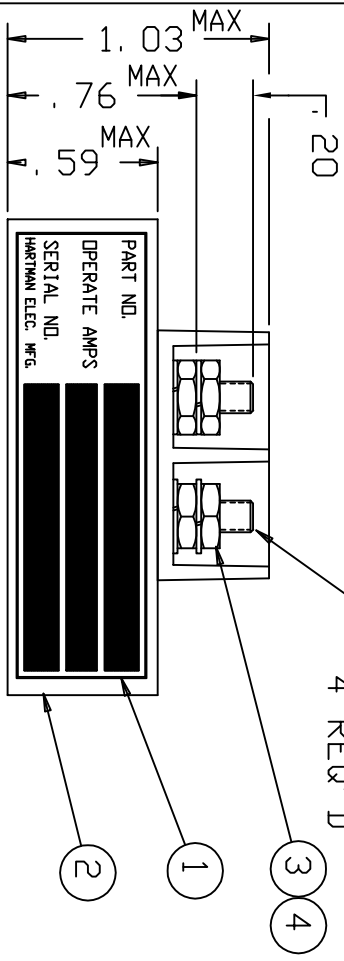


FAA/PMA

REV	DESCRIPTION	DATE	APPROVED
D	25404 REDRAWN TO CAEDS; ADD 'ALTITUDE' SPEC.	94/01/17	RS
E	31791 FIND NO 6 ADDED	97/01/07	RS
F	40475 'MAX' ADDED TO .59	99/09/27	RS
G	41489 'MAX' ADDED TO .76 & 1.03	00/02/01	RS
H	14-006898 ITEM 3 & 4-QTY 4 WAS 5; RWD ITEM 6 OVERLAY 14/05/08		MDM



OPERATING CHARACTERISTICS
 PICKUP 3 AMPS D.C. MAX.
 DROPOUT 1.2 AMP MIN.
 CONTINUOUS 16 AMPS D.C. MAX.
 MAX. WEIGHT 1.25 OZ.
 TEMP -55°C TO +71°C
 VIBRATION 10 G'S TO 500HZ
 ALTITUDE 60,000 FT. MAX.
 CONTACT RATING .25 AMP 28VDC
 LAMP LEAD .080 AMP 28 VDC



QTY	PART OR IDENTIFYING NO	NOMENCLATURE OR DESCRIPTION	FSCM NO	DRAWING OR SPECIFICATION	MATERIAL DR NOTE
1	58400-084	PLATE-FAA/PMA			
4	51806-014	WASHER - LOCK NO. 6 SPLIT			
3	50406-034	NUT 6-32 X 1/4 X 5/64 HEX.			
2	35190-010	RELAY ASSEMBLY - PRIMARY			
1	34246-001	PLATE - NAME			

UNLESS OTHERWISE SPECIFIED DIMENSIONS ARE IN INCHES TOLERANCES IN	± .06	± .010	± 1°
2 PL. DEC. 3 PL. DEC. ANGLES			

DR BY	RLS	00/02/25
CHK BY	RS	00/02/25
ENGR	EAD	00/03/03
MFG	CC	00/03/03

SIZE	CODE	IDENT	DWG NO.
C	74063		Q-50S

HARTMAN ELECTRICAL MANUFACTURING	MANFIELD, OHIO
RELAY - CURRENT INDICATOR	093