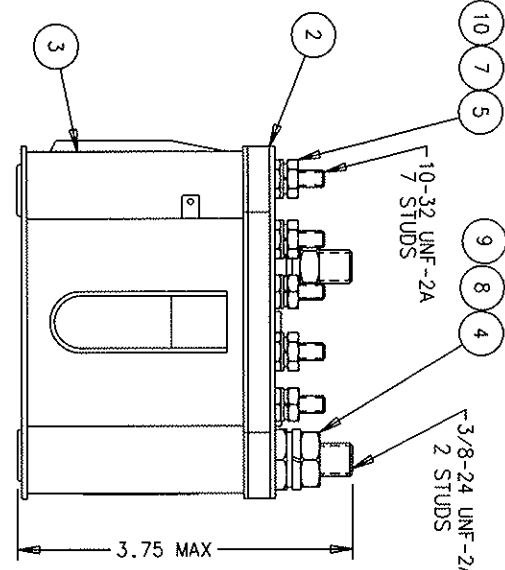
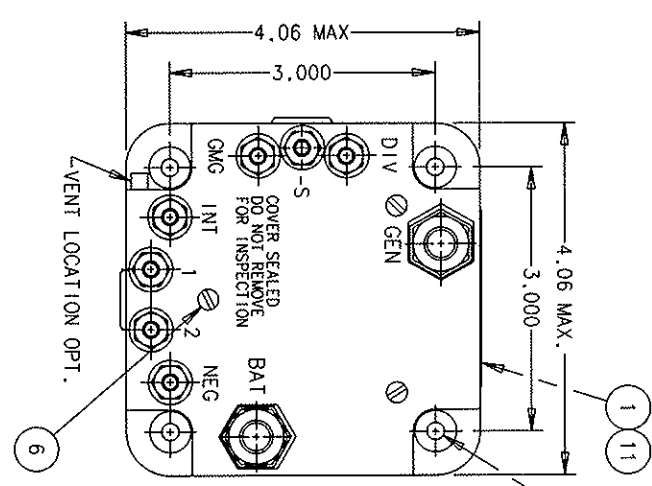


REV.	DESCRIPTION	DATE	APPROVED
J	346281 REDRAWN FIND NO 11 ADDED	98/01/05	[Signature]

REV.	DESCRIPTION	DATE	APPROVED
J	346281 REDRAWN FIND NO 11 ADDED	98/01/05	[Signature]



NOTES:

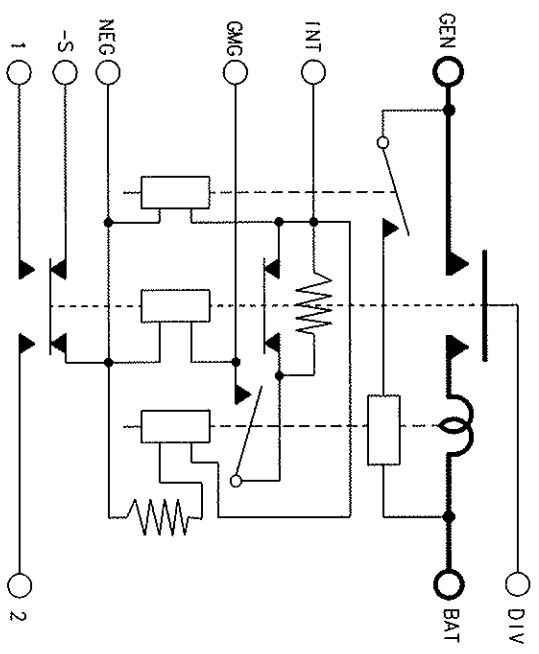
- DESIGNED TO MEET MIL-C-5026 AND MIL-R-6106
- INTERMITTANT COIL DUTY FROM GNG, 2 MIN MAX.
- DIFFERENTIAL RELAY CONTACTS OPEN WHEN INT IS DE-ENERGIZED AS WELL AS ON REVERSE CURRENT.
- MOUNTING SURFACE SHALL PROVIDE ELECTRICAL GROUND.

GASKET SEALED (VENTED)

SPST N.O.
28 VDC
400 AMP
1000 AMP FOR 30 SEC
1500 AMP INRUSH

AUXILIARY CONTACTS CONFIGURATION
VOLTAGE
CURRENT
DIFF. PICKUP
REV. 1. DROP/OUT
COIL DATA
VOLTAGE
PICKUP
PULL THROUGH
DROP/OUT
RESISTANCE AT 25°C
PICKUP
HOLDING
PEAK INRUSH
DUTY
AMBIENT TEMPERATURE
LIFE ELECTRICAL
WEIGHT MAX (EST)

14 OHM ±20%
64 OHM ±20%
3 AMP MAX
CONTINUOUS ECONOMIZING
-55°C TO +71°C
50,000 CYCLES MIN
4 LBS.



11	1	39529-001	OVERLAY - NAME PLATE				
10	7	51810-031	WASHER - LOCK NO. 10 SPLIT				STEEL
9	2	51807-071	WASHER - LOCK 3/8 X .688 X .094 SPLIT				STEEL
8	2	51704-161	WASHER - 5/8 X .390 X .062				STEEL
7	7	51702-851	WASHER - 7/16 X 13/64 X .032				STEEL
6	3	51200-020	SCREW - 4 X 1/4 PAN HD. SH. MTL.				S. STEEL
5	7	50410-081	NUT - 10-32 X 3/8 X 1/8 HEX.				BRASS
4	2	50407-161	NUT - 3/8-24 X 5/8 X 7/32 HEX.				BRASS
3	1	33394-010	PRIMARY ASSEMBLY				
2	1	33254-001	PLATE - BASE COVER				
1	1	16043-001	PLATE - NAME				

UNLESS OTHERWISE SPECIFIED DIMENSIONS ARE IN INCHES TOLERANCES IN:

1. .06 ±.010 ±.1*

2. PL. DEC. 10 PL. DEC. ANGLES

MATERIAL

DR BY	RLS	98/03/23
CHK BY	RS	98/03/23
ENGR	DM	98/03/23
MFG	OP	98/03/23
RELEASE		
CONTR. NO.		
GOVT APPVL		

HARTMAN ELECTRICAL MANUFACTURING
MANSFIELD, OHIO

CUTOUT - REVERSE CURRENT
400 AMP, 28 VDC

SIZE CODE IDENT DWG NO. A-701C

SCALE NONE SHEET