

FAA/PMA

REV. C	DESCRIPTION	DATE APPROVED
A	ITEM B P/N WAS 51200-020	5-2-84
B	MAIN CONTACT CURRENT DATA ADDED	6-6-84
C	ADDED FAA/PMA PLATE NO. 7	5-31-90

GASKET SEALED (VENTED)  
 SPST N.O.  
 28 VDC  
 400 AMP  
 1000AMP FOR 30 SEC.  
 1500AMP (INRUSH)  
 5000AMP (RUPTURE)

CONSTRUCTION  
 MAIN CONTACTS  
 CONFIGURATION  
 VOLTAGE (NOMINAL)  
 CURRENT

FORM Z OPERATE BEFORE MAINS CLOSE  
 SPST - NC  
 28 VDC/115V 400HZ  
 5 AMP 10AMP CARRY ONLY  
 30AMP CARRY ONLY FOR 0.1 SEC.

AUXILIARY CONTACTS  
 11-12-13-14  
 23-24  
 VOLTAGE  
 CURRENT RES  
 SURGE

COIL DATA  
 DUTY CYCLE  
 MAX. OPERATE  
 MIN. OPERATE  
 PICKUP AT 25°C  
 DROPOUT  
 RESISTANCE AT 25°C  
 PICKUP  
 HOLD

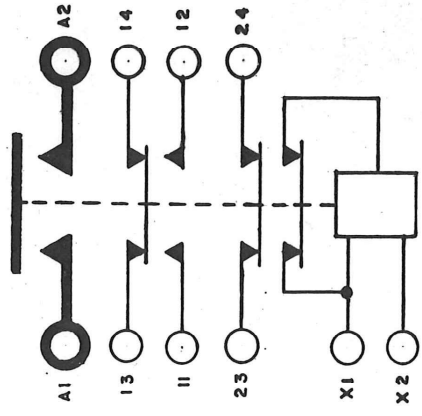
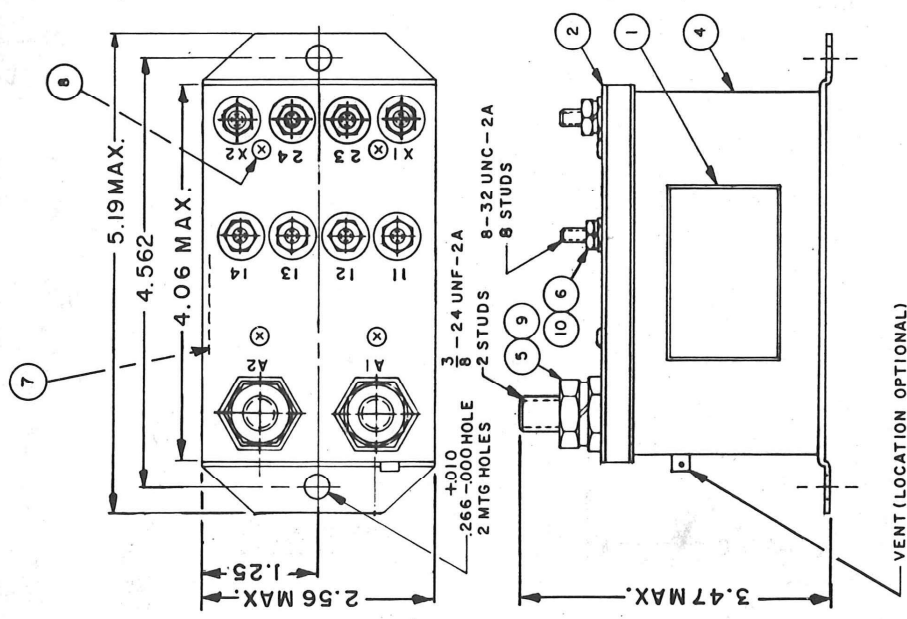
ENVIRONMENTAL DATA  
 AMBIENT TEMP.  
 LIFE ELECTRICAL  
 LIFE MECHANICAL  
 WEIGHT MAX (EST.)

CONTINUOUS (ECONOMIZING)  
 31 VDC  
 16 VDC  
 16 V MAX  
 15-7 V  
 ± 20 %  
 16 OHM  
 91 OHM

-55°C TO +71°C MAX.  
 50,000 CYCLES MIN.  
 100,000 CYCLES MIN.  
 2 LBS. 2 OZ.

NOTE:

I. MOUNTING SURFACE SHALL PROVIDE ELECTRICAL GROUND.



QTY	RECD	NOMENCLATURE OR DESCRIPTION	PART OR IDENTIFYING NO	ITEM NO
1		PLATE-BASE COVER	33266-001	2
1		PLATE-NAME	16003-001	1
6		WASHER-LOCK NO. R X .307 X .047 SPLIT BRONZE	51808-064	10
2		WASHER-LOCK 3/8 X .688 X .094 SPLIT BRONZE	51807-004	9
4		SCREW NO. 4 X 5/16S.S. SHEETMETAL	51200-030	8
1		PLATE - FAA/PMA	58400-065	7
8		NUT 8-32 X 5/16 X 3/32 HEX BRASS	50008-034	6
2		NUT 3/8-24 X 5/8 X 7/32 HEX BRASS	50007-164	5
1		CONTACTOR ASSEMBLY-PRIMARY	34432-010	4

PARTS LIST

UNLESS OTHERWISE SPECIFIED DIMENSIONS ARE IN INCHES TOLERANCES ON 2 PL. DEC. 3 PL. DEC. ANGLES

HARTMAN ELECTRICAL MANUFACTURING  
 MANSFIELD, OHIO

CONTACTOR SPST N.O.  
 400AMP, 28VOLTS

DR BY W.E.O. 1-26-84  
 CHECKED RS N 1-26-84  
 ENGINEER AP 1-26-84  
 APPROVED

SIZE CODE IDENT NO  
**C 74063**

SCALE 1/1 WEIGHT SHEET

A-703G-1