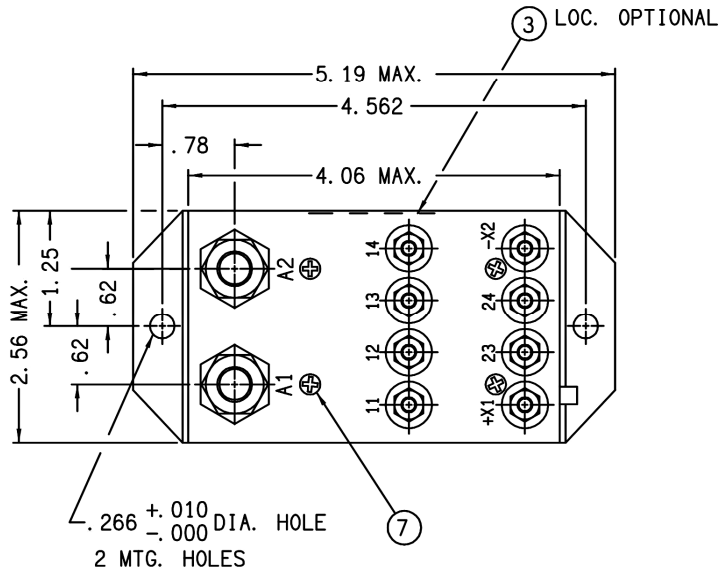


FAA/PMA

REVISIONS		RELEASED	DATE	APPROVED
SYM	DESCRIPTION			
B	ITEM 10 P/N WAS 38237-024		90/05/31	JD
C	31350 REDRAWN TO CAEDS; ADDED ITEM 11 & 12		96/10/30	RS
D	10-026329 ADDED "VENT (LOCATION OPT.)" NOTE		10/12/13	CB



CONSTRUCTION
MAIN CONTACTS
CONFIGURATION
VOLTAGE (NOMINAL)
CURRENT

GASKET SEALED (VENTED)

SPST N. O.
28 VDC
400 AMP
1000 AMP FOR 30 SEC
1500 AMP INRUSH

AUXILIARY CONTACTS
11-12-13-14
23-24
VOLTAGE
CURRENT RES.
SURGE

FORM Z OPERATE BEFORE MAINS CLOSE
SPST NC
28 VDC
5 AMP, 10 AMP CARRY ONLY
30 AMP CARRY ONLY FOR 0.1 SEC

COIL DATA
DUTY CYCLE
NOMINAL VOLTAGE
PICKUP MAX
PULL THROUGH
DROPOUT
RESISTANCE
SUPPRESSION

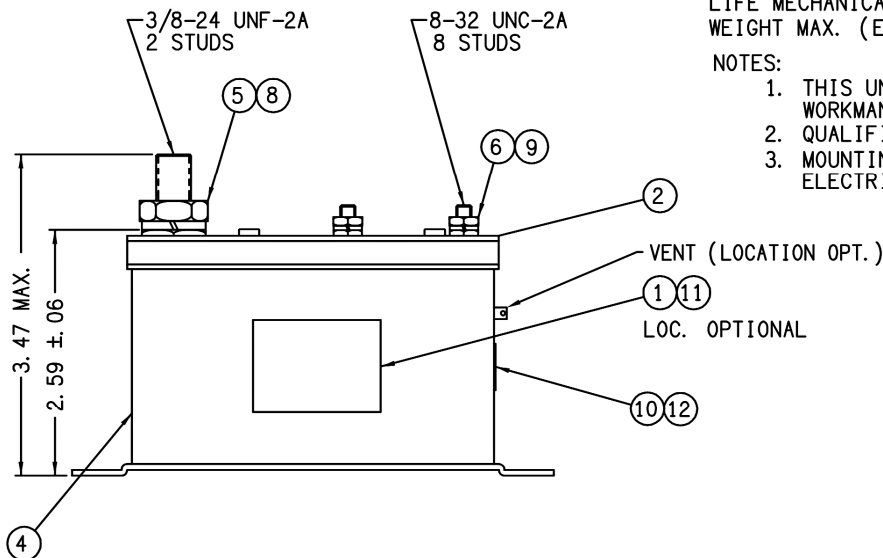
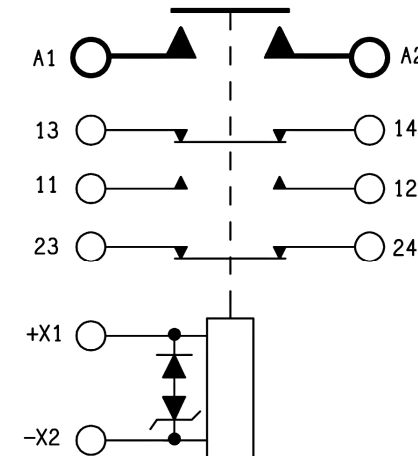
INTERMITTANT
24-30 VDC
12 VDC
6 VDC MAX AT 25°C
.5 - 7 V.
14 OHM ±20% AT 25°C
45V PEAK

ENVIRONMENTAL DATA
AMBIENT TEMP.
LIFE ELECTRICAL
LIFE MECHANICAL
WEIGHT MAX. (EST.)

-55°C TO +71°C
50,000 CYCLES MIN.
100,000 CYCLES
2 LBS. 2 OZ.

NOTES:

- THIS UNIT MEETS THE MATERIAL AND WORKMANSHIP REQUIREMENTS OF MIL-R-6106.
- QUALIFICATION TESTING NOT COMPLETED.
- MOUNTING SURFACE SHALL PROVIDE ELECTRICAL GROUND.



12	1	39529-024	OVERLAY - FAA/PMA			
11	1	39529-001	OVERLAY - NAMEPLATE			
10	1	58400-009	PLATE - FAA/PMA			
9	8	51808-064	WASHER-LOCK-NO. 8 X .307 X .047			BRONZE
8	2	51807-084	WASHER-LOCK-3/8 X .688 X .094			BRONZE
7	4	51200-020	SCREW-NO. 4 X 1/4 SHEETMETAL			STAINLESS STEEL
6	8	50408-034	NUT-8-32 X 5/16 X 3/32 HEX.			BRASS
5	2	50407-164	NUT-3/8-24 X 5/8 X 7/32 HEX.			BRASS
4	1	32687-080	CONTACTOR ASSEMBLY - PRI.			
3	1	17959-001	PLATE - WARNING			
2	1	33266-005	PLATE COVER			
1	1	16043-001	PLATE - NAME			
FIND NO	QTY REQD	PART OR IDENTIFYING NO	NOMENCLATURE OR DESCRIPTION	FSCM NO	DRAWING OR SPECIFICATION	MATERIAL OR NOTE

UNLESS OTHERWISE SPECIFIED
DIMENSIONS ARE IN INCHES
TOLERANCES ON

2 PL DEC. 3 PL DEC. ANGLES

±.06 ±.010 ± 1°

DR BY CSE 96/11/20
CHK BY RS 96/12/17
ENGR DM 96/12/19
MFG JH 96/12/17

SIZE CODE IDENT
C 74063

SCALE 1:2 SHEET

Tyco Electronics
Hartman Division 175 N. DIAMOND STREET MANSFIELD, OHIO 44902

KSR
400 AMP, 28 VDC 093

DWG NO. A-703FSS

REF TE P/N 1-1616058-4