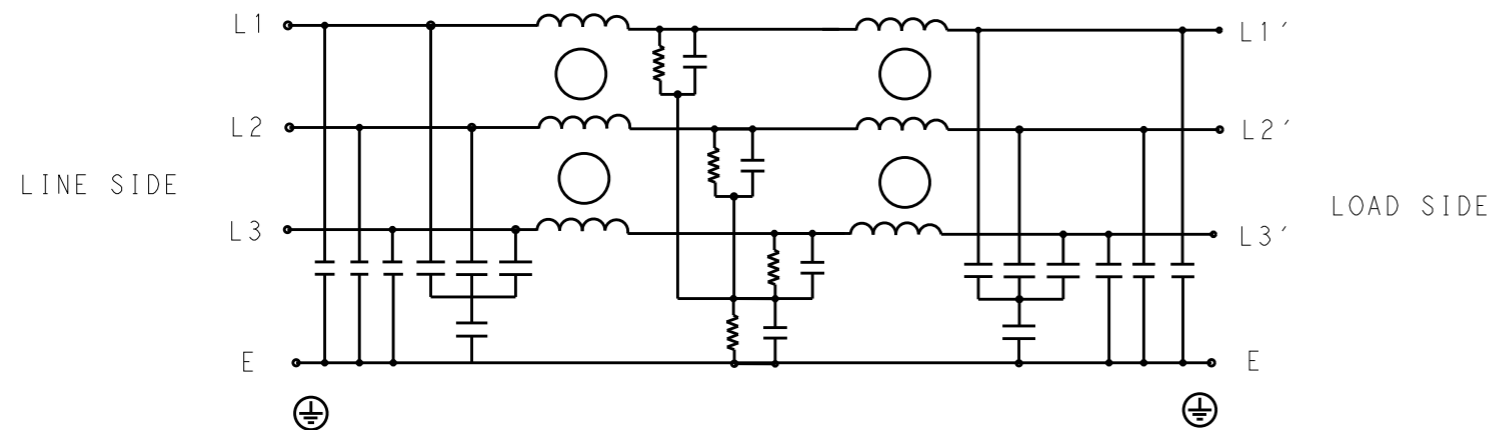


| P | LTR | DESCRIPTION | DATE | DWN | APVD |
|---|-----|-----------------|-----------|-----|------|
| | B | INITIAL RELEASE | 08JUL2020 | SB | LI |
| | | | | | |
| | | | | | |



SCHEMATIC

SAFETY ORGANIZATIONS

THIS FILTER WILL BE FORMALLY RECOGNIZED, CERTIFIED OR APPROVED BY THE LISTED AGENCY. THEREFORE, ALL TEST/REQUIREMENTS SPECIFIED IN THE LATEST REVISION OF THE FOLLOWING AGENCY STANDARDS WILL BE MET:

UL RECOGNIZED* 150A 440V 50Hz/60Hz 40°C
 CSA CERTIFIED** 150A 440V 50Hz/60Hz 40°C

* 31 JULY 2020 ; ** 31 AUGUST 2020

OPERATING SPECIFICATION

LINE CURRENT/VOLTAGE: 150A, 440VAC
 LINE FREQUENCY: 50/60Hz

MAXIMUM LEAKAGE CURRENT: 20mA @ 230VAC, 50Hz

OPERATING AMBIENT TEMPERATURE RANGE @ RATED CURRENT: -25°C TO +40°C

IN AN AMBIENT, T_a, HIGHER THAN 40°C, THE MAXIMUM OPERATING CURRENT, I_o, IS AS FOLLOWS:

$$I_o = I_r \sqrt{\frac{85 - T_a}{45}}$$

RELIABILITY SPECIFICATIONS

STORAGE TEMPERATURE: -40°C TO +85°C
 HUMIDITY: 21 DAYS @ 40°C AND 95% RH

TEST SPECIFICATIONS

INDUCTANCE, NOMINAL: 0.2mH

CAPACITANCE @ 1kHz

LINE TO GROUND, NOMINAL: 2.98µF
 LINE TO LINE, NOMINAL: 10.2µF

DISCHARGE RESISTOR

L/L I.R. 2MΩ 2W
 L/N I.R. XXX
 L/G I.R. 1MΩ 2W
 N/G I.R. XXX
 IR (NO DISCHARGE RESISTOR) 20°C, 50% RH AND 100VDC, MIN: 6MΩ

RECOMMENDED RECEIVING INSPECTION HIPOT

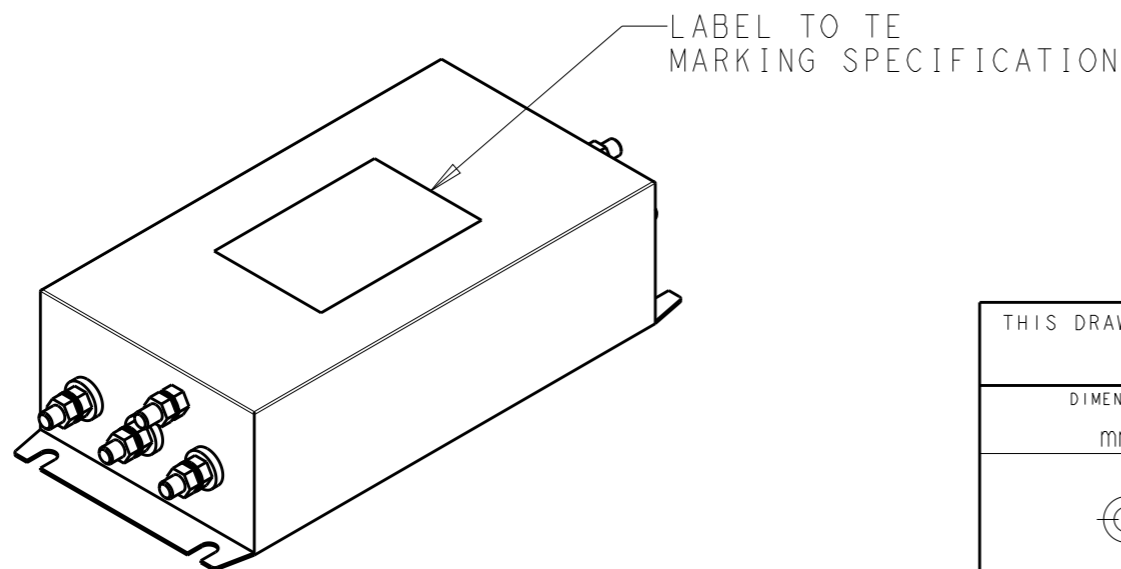
LINE TO GROUND FOR 1 MINUTE: 2632VDC
 LINE TO LINE FOR 1 MINUTE: 1892VDC

FILTER APPROVAL

THE BEST WAY TO SELECT AND QUALIFY A FILTER IS FOR YOUR ENGINEERING TO TEST THE UNIT IN YOUR EQUIPMENT.

TYPICAL INSERTION LOSS
 COMMON MODE 50/50Ω; DIFFERENTIAL MODE 50/50Ω

| MHz | 0.01 | 0.05 | 0.15 | 0.5 | 1 | 3 | 5 | 10 | 30 |
|-----|------|------|------|-----|----|----|----|----|----|
| CM | 18 | 24 | 54 | 58 | 53 | 44 | 40 | 35 | 32 |
| DM | 38 | 41 | 55 | 51 | 47 | 40 | 37 | 30 | 25 |



| | | | | | |
|--|--|--|-----------------|-------------------|--|
| THIS DRAWING IS A CONTROLLED DOCUMENT. | | DWN | 27FEB2020 | | |
| | | CHK | 27FEB2020 | | |
| | | APVD | 27FEB2020 | | |
| | | NAME | LEO IRUDHAYARAJ | | |
| DIMENSIONS: | | TOLERANCES UNLESS OTHERWISE SPECIFIED: | | NAME | |
| mm | | | | POWER LINE FILTER | |
| | | 0 PLC ±- | | 150KEHD6AFP | |
| | | 1 PLC ±0.5 | | SIZE | |
| | | 2 PLC ±0.40 | | CAGE CODE | |
| | | 3 PLC ±0.130 | | DRAWING NO | |
| | | 4 PLC ±0.0500 | | RESTRICTED TO | |
| | | ANGLES ±- | | A300779 | |
| MATERIAL | | FINISH | | C-1-1609969-7 | |
| | | | | SCALE | |
| | | | | 1:4 | |
| | | | | SHEET | |
| | | | | 1 OF 2 | |
| | | | | REV | |
| | | | | B | |
| | | | | CUSTOMER DRAWING | |

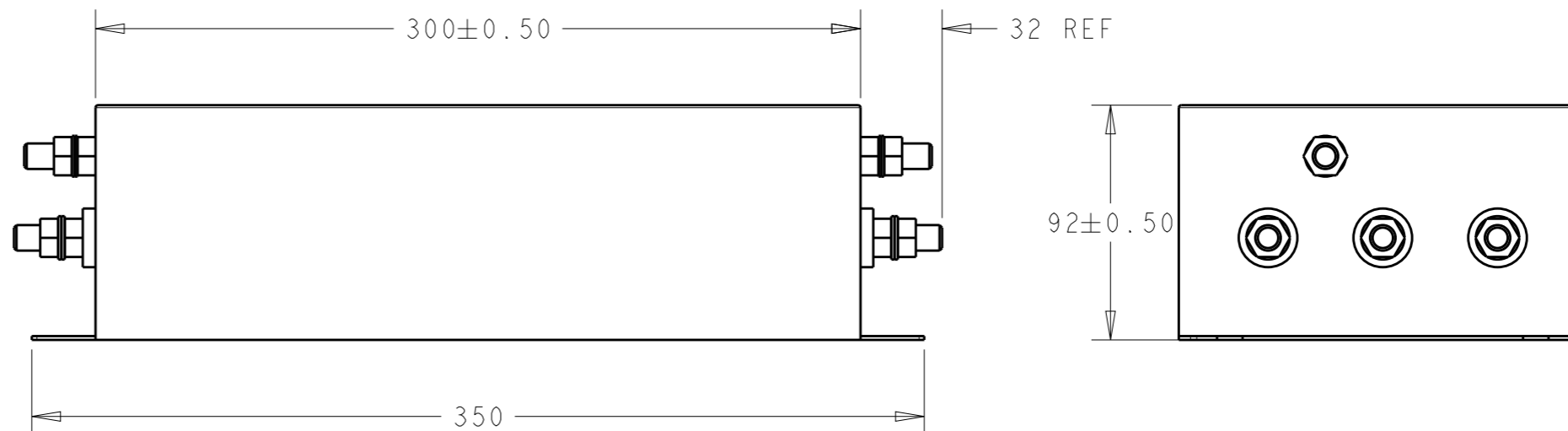
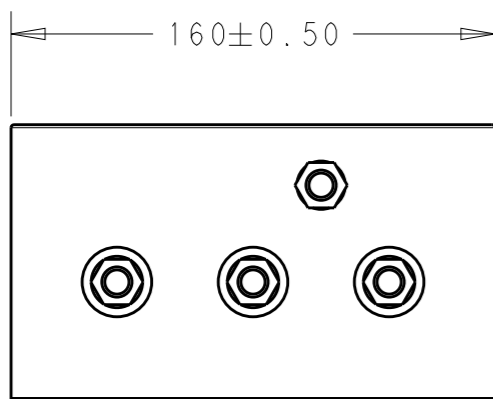
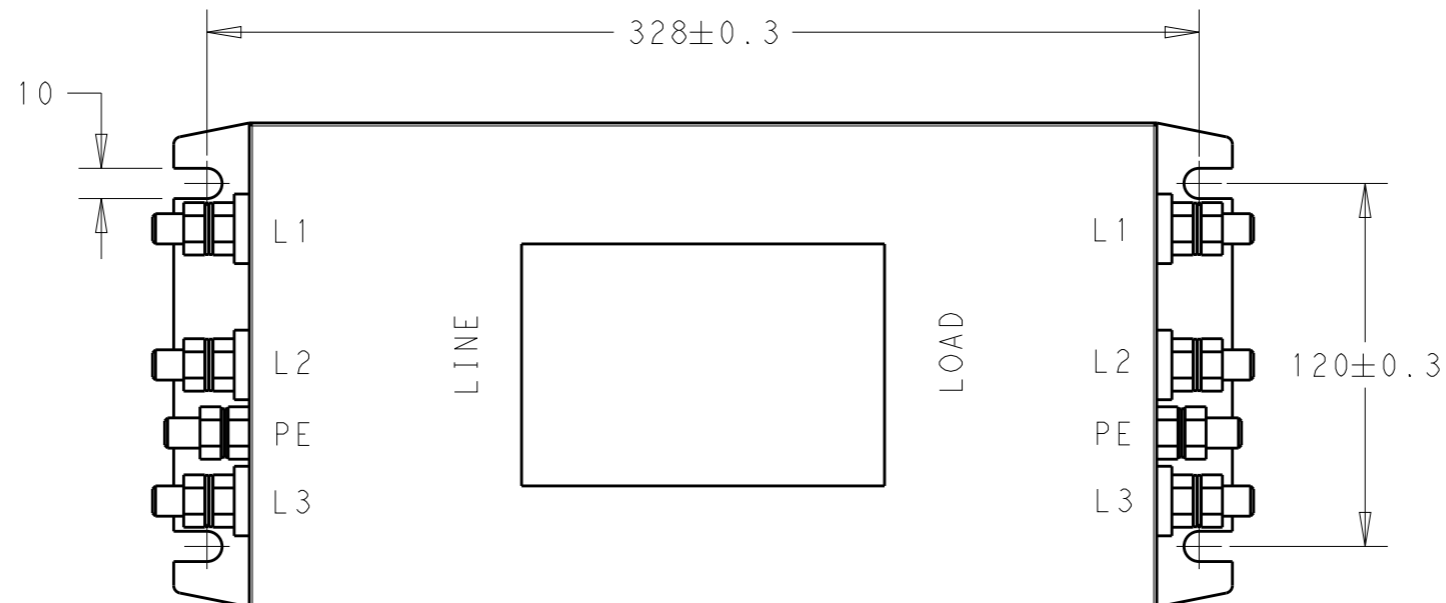
© 2020 TE Connectivity. All Rights Reserved.

REVISIONS

NOTE 1 GROUND CONNECTION:
DO NOT LOOSEN INNER GROUND NUTS.
TORQUE OUTER TERMINAL /GROUND NUTS: 4-10Nm

NOTE 2 INPUT OUTPUT CONNECTION TERMINAL
AWG SIZE: XXX
THREADED BOLT SIZE FOR TERMINAL: M10
THREADED BOLT SIZE FOR GROUND: M10

| P | LTR | DESCRIPTION | DATE | DWN | APVD |
|---|-----|-------------|------|-----|------|
| | | SEE SHEET 1 | | | |
| | | | | | |
| | | | | | |



| | | | | | | | | | | | | | | | | |
|--|---------|--------------------------------------|---|-----------------|------|-------|-------|-------|--------|-------|---------|--------|----|-------------------|--------------------|--|
| THIS DRAWING IS A CONTROLLED DOCUMENT. | | DWN SHRICHARANA B 27FEB2020 | | | | | | | | | | | | | | |
| DIMENSIONS: mm | | CHK LEO IRUDHAYARAJ 27FEB2020 | | | | | | | | | | | | | | |
| TOLERANCES UNLESS OTHERWISE SPECIFIED: | | APVD LEO IRUDHAYARAJ 27FEB2020 | NAME POWER LINE FILTER 150KEHD6AFPD | | | | | | | | | | | | | |
| <table border="1"> <tr><td>0 PLC</td><td>±-</td></tr> <tr><td>1 PLC</td><td>±0.5</td></tr> <tr><td>2 PLC</td><td>±0.40</td></tr> <tr><td>3 PLC</td><td>±0.130</td></tr> <tr><td>4 PLC</td><td>±0.0500</td></tr> <tr><td>ANGLES</td><td>±-</td></tr> </table> | | 0 PLC | ±- | 1 PLC | ±0.5 | 2 PLC | ±0.40 | 3 PLC | ±0.130 | 4 PLC | ±0.0500 | ANGLES | ±- | PRODUCT SPEC - | RESTRICTED TO - | |
| 0 PLC | ±- | | | | | | | | | | | | | | | |
| 1 PLC | ±0.5 | | | | | | | | | | | | | | | |
| 2 PLC | ±0.40 | | | | | | | | | | | | | | | |
| 3 PLC | ±0.130 | | | | | | | | | | | | | | | |
| 4 PLC | ±0.0500 | | | | | | | | | | | | | | | |
| ANGLES | ±- | | | | | | | | | | | | | | | |
| MATERIAL - | | FINISH - | APPLICATION SPEC - | SIZE A300779 | | | | | | | | | | | | |
| | | WEIGHT - | CAGE CODE C-1-1609969-7 | DRAWING NO - | | | | | | | | | | | | |
| | | CUSTOMER DRAWING | SCALE 2:5 | SHEET 2 OF 2 | | | | | | | | | | | | |
| | | | | REV B | | | | | | | | | | | | |