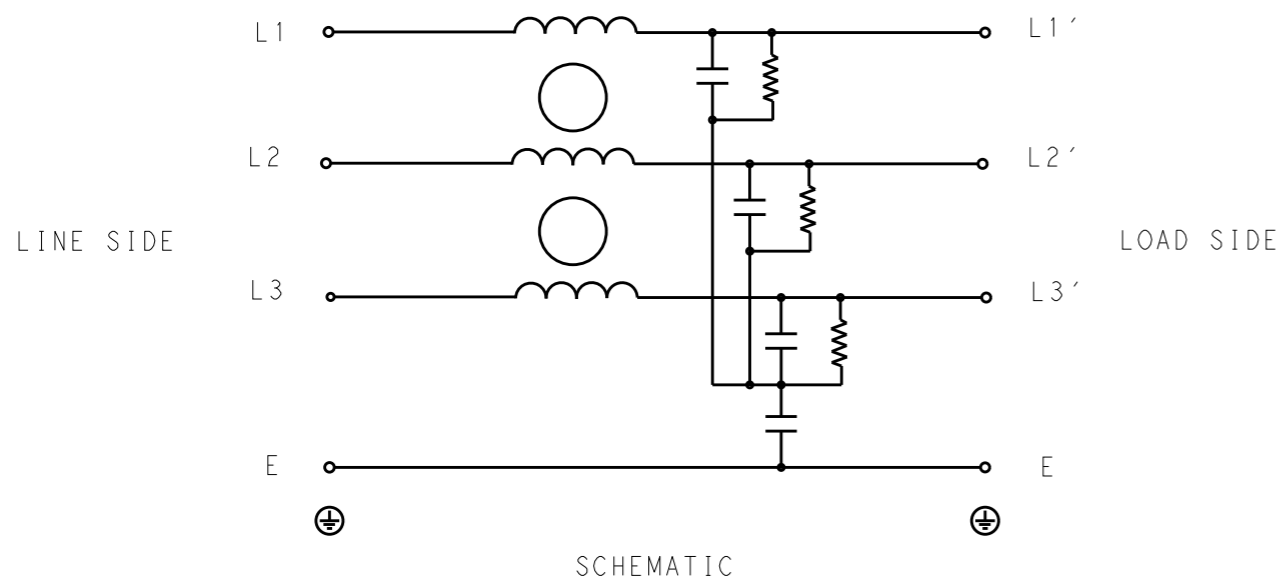


P	LTR	DESCRIPTION	DATE	DWN	APVD
	B	INITIAL RELEASE	25FEB2020	SR	LI



TYPICAL INSERTION LOSS
COMMON MODE 50/50Ω; DIFFERENTIAL MODE 50/50Ω

MHz	0.01	0.05	0.15	0.5	1	3	5	10	30
CM	2	3	4	11	20	40	35	35	45
DM	3	4	6	17	27	33	36	38	54

SAFETY ORGANIZATIONS

THIS FILTER WILL BE FORMALLY RECOGNIZED, CERTIFIED OR APPROVED BY THE LISTED AGENCY. THEREFORE, ALL TEST/REQUIREMENTS SPECIFIED IN THE LATEST REVISION OF THE FOLLOWING AGENCY STANDARDS WILL BE MET:

UL RECOGNIZED* 1A 440V 50Hz/60Hz 40°C
 CSA CERTIFIED** 1A 440V 50Hz/60Hz 40°C

* 31 JULY 2020 ; ** 31 AUGUST 2020

OPERATING SPECIFICATION

LINE CURRENT/VOLTAGE: 1A, 440VAC
 LINE FREQUENCY: 50/60Hz

MAXIMUM LEAKAGE CURRENT: 3mA @ 230VAC, 50Hz

OPERATING AMBIENT TEMPERATURE RANGE @ RATED CURRENT: -25°C TO +40°C

IN AN AMBIENT, T_a, HIGHER THAN 40°C, THE MAXIMUM OPERATING CURRENT, I_o, IS AS FOLLOWS:

$$I_o = I_r \sqrt{\frac{85 - T_a}{45}}$$

RELIABILITY SPECIFICATIONS

STORAGE TEMPERATURE: -40°C TO +85°C
 HUMIDITY: 21 DAYS @ 40°C AND 95% RH

TEST SPECIFICATIONS

INDUCTANCE, NOMINAL: 1mH

CAPACITANCE @ 1kHz

LINE TO GROUND, NOMINAL: 18nF
 LINE TO LINE, NOMINAL: 50nF

DISCHARGE RESISTOR

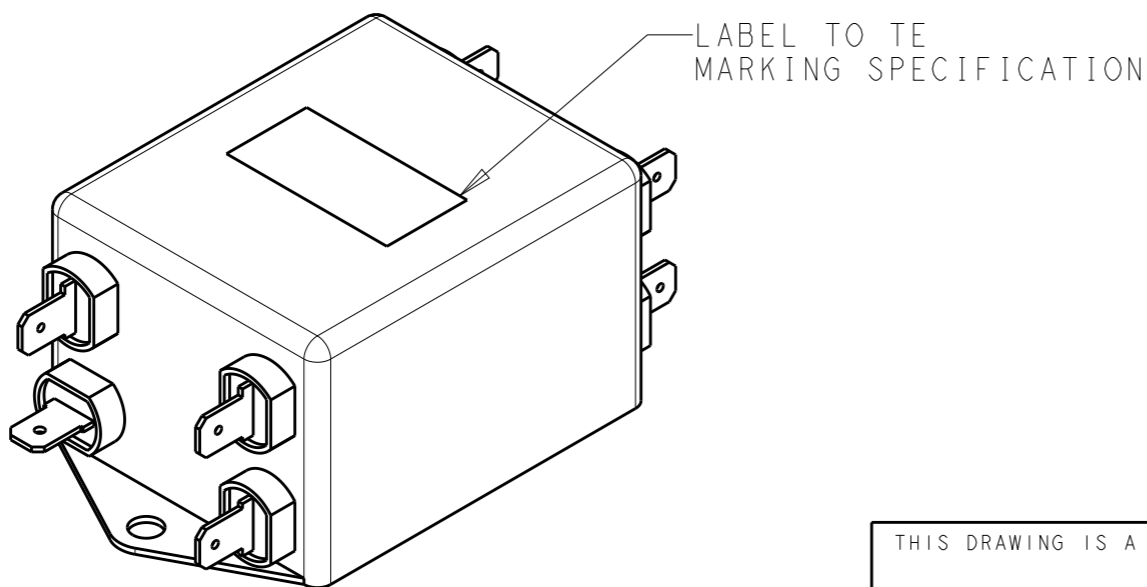
L/G I.R. 680KΩ 1W
 L/L I.R. 2MΩ 1W
 L/N I.R. XXX
 N/G I.R. XXX
 IR (NO DISCHARGE RESISTOR) 20°C, 50% RH AND 100VDC, MIN: 6MΩ

RECOMMENDED RECEIVING INSPECITON HIPOT

LINE TO GROUND FOR 1 MINUTE: 2632VDC
 LINE TO LINE FOR 1 MINUTE: 1892VDC

FILTER APPROVAL

THE BEST WAY TO SELECT AND QUALIFY A FILTER IS FOR YOUR ENGINEERING TO TEST THE UNIT IN YOUR EQUIPMENT.

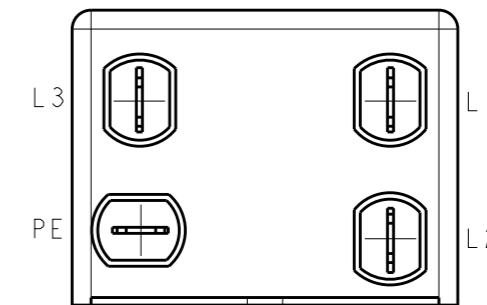
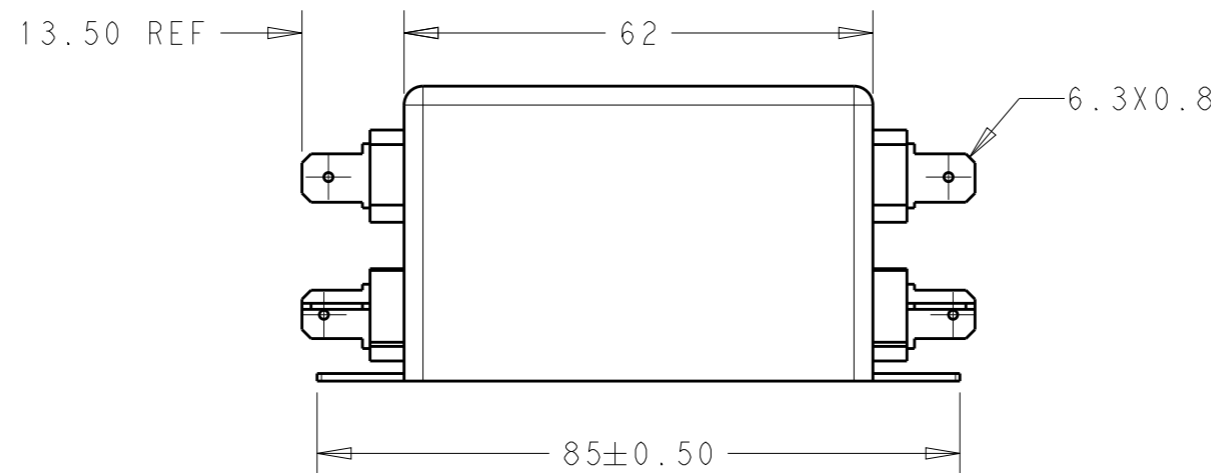
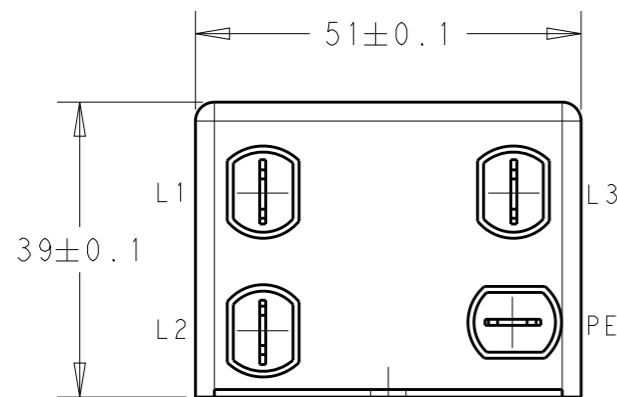
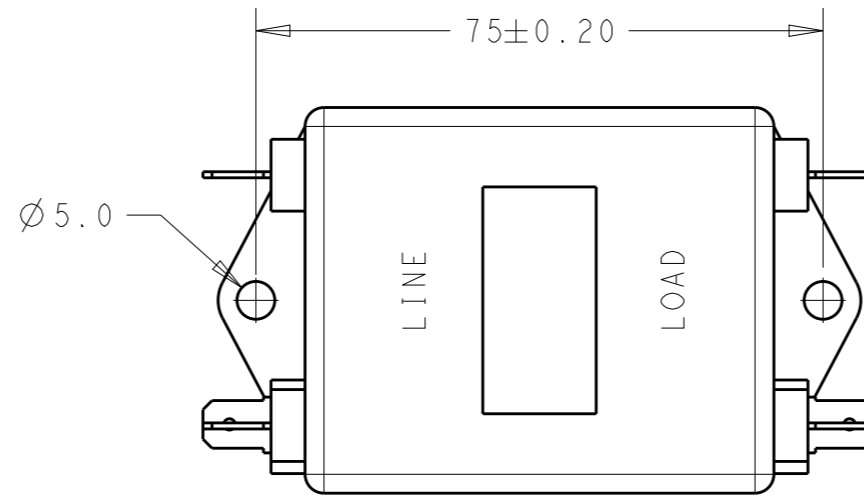


THIS DRAWING IS A CONTROLLED DOCUMENT.		DWN SUPREETH R 06FEB2020	TE Connectivity		
DIMENSIONS: mm		CHK LEO IRUDHAYARAJ 06FEB2020			
TOLERANCES UNLESS OTHERWISE SPECIFIED:		APVD LEO IRUDHAYARAJ 06FEB2020	NAME POWER LINE FILTER 1KEBS1AFPD		
0 PLC ±- 1 PLC ±0.5 2 PLC ±0.40 3 PLC ±0.130 4 PLC ±0.0500 ANGLES ±-		PRODUCT SPEC -	RESTRICTED TO -		
MATERIAL -		APPLICATION SPEC -	SIZE A3	CAGE CODE 00779	DRAWING NO C-1-1609965-0
FINISH -		WEIGHT -	SCALE 1:1		
		CUSTOMER DRAWING	SHEET 1 OF 2	REV B	

NOTE 1 GROUND CONNECTION:
DO NOT LOOSEN INNER GROUND NUTS.
TORQUE OUTER TERMINAL /GROUND NUTS: XXX

NOTE 2 INPUT OUTPUT CONNECTION TERMINAL
AWG SIZE: XXX

P	LTR	DESCRIPTION	DATE	DWN	APVD
		SEE SHEET 1			



THIS DRAWING IS A CONTROLLED DOCUMENT.		DWN 06FEB2020 SUPREETH R														
DIMENSIONS: mm		CHK 06FEB2020 LEO IRUDHAYARAJ														
TOLERANCES UNLESS OTHERWISE SPECIFIED:		APVD 06FEB2020 LEO IRUDHAYARAJ	NAME POWER LINE FILTER 1KEBS1AFPD													
<table border="1"> <tr> <td>0 PLC</td> <td>±-</td> </tr> <tr> <td>1 PLC</td> <td>±0.5</td> </tr> <tr> <td>2 PLC</td> <td>±0.40</td> </tr> <tr> <td>3 PLC</td> <td>±0.130</td> </tr> <tr> <td>4 PLC</td> <td>±0.0500</td> </tr> <tr> <td>ANGLES</td> <td>±-</td> </tr> </table>		0 PLC	±-	1 PLC	±0.5	2 PLC	±0.40	3 PLC	±0.130	4 PLC	±0.0500	ANGLES	±-	PRODUCT SPEC -	SIZE A300779	
0 PLC	±-															
1 PLC	±0.5															
2 PLC	±0.40															
3 PLC	±0.130															
4 PLC	±0.0500															
ANGLES	±-															
MATERIAL -		APPLICATION SPEC -	DRAWING NO C-1-1609965-0													
FINISH -		WEIGHT -	RESTRICTED TO -													
		CUSTOMER DRAWING	SCALE 1:1	SHEET 2 OF 2												
				REV B												