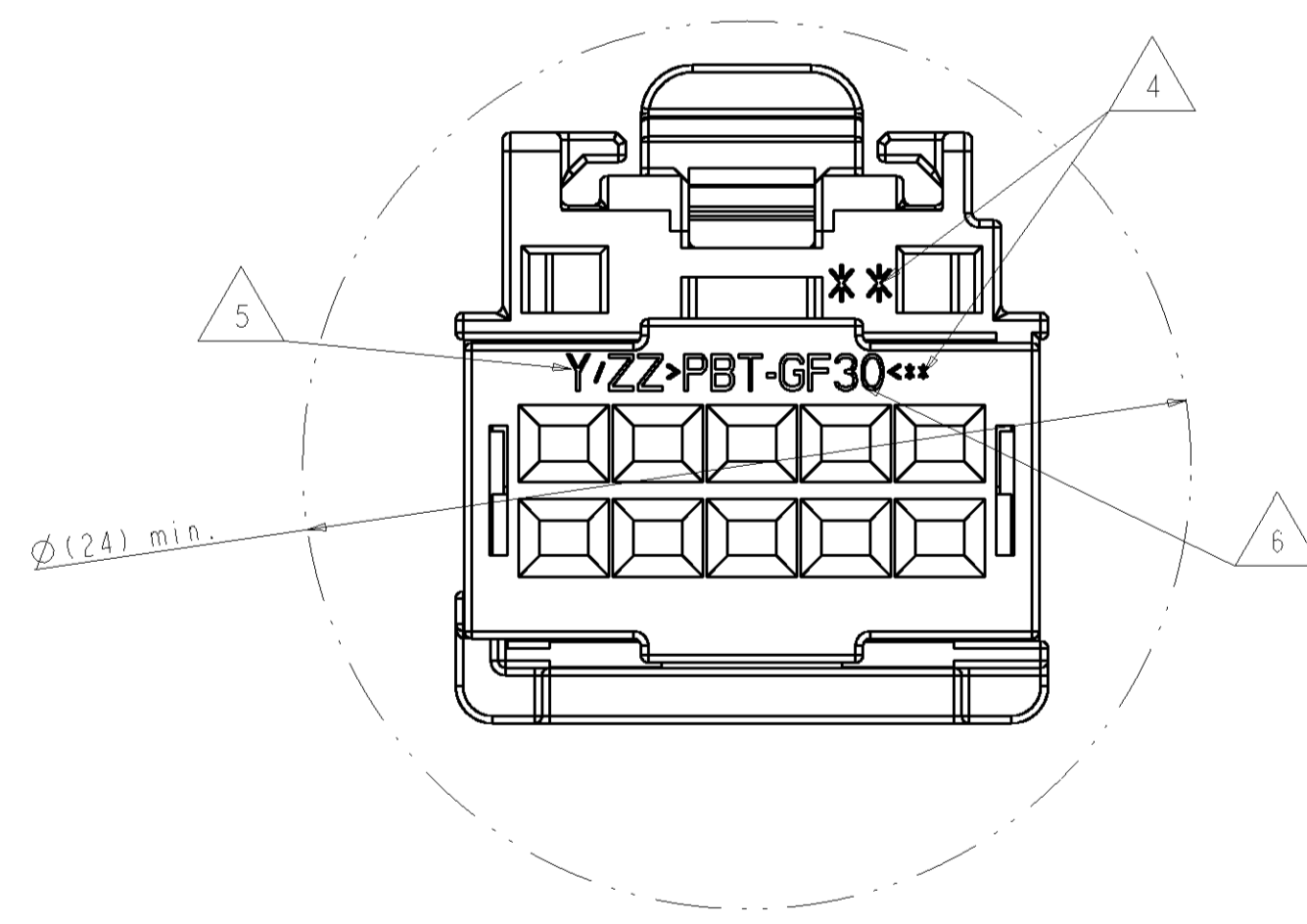
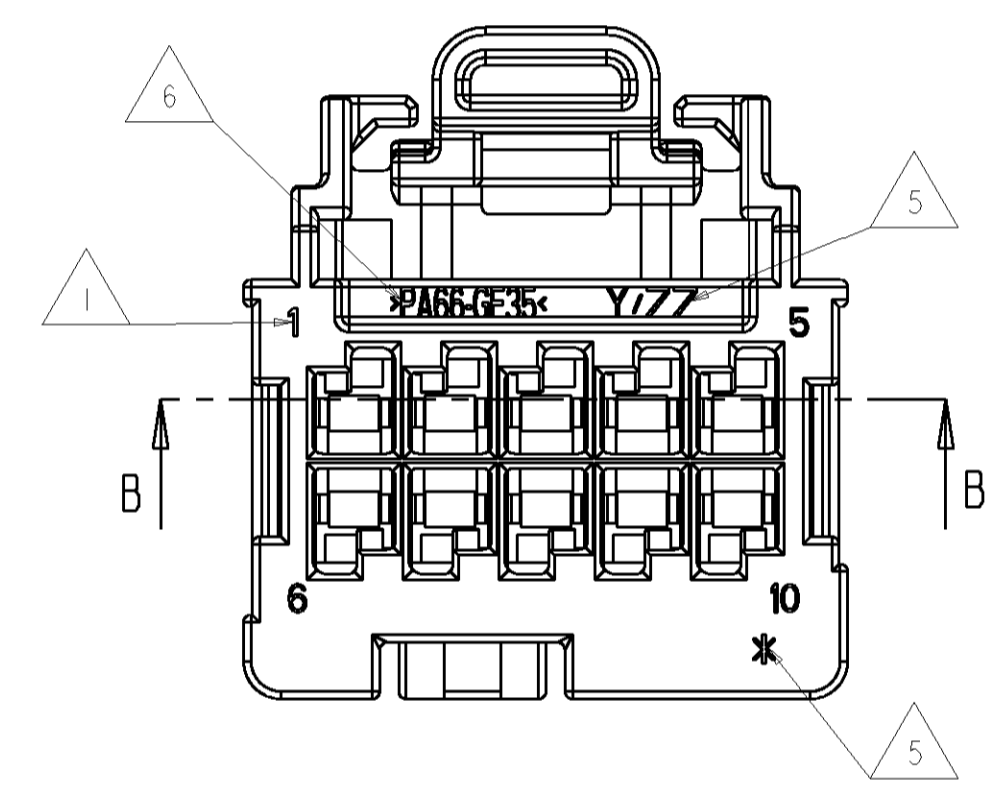
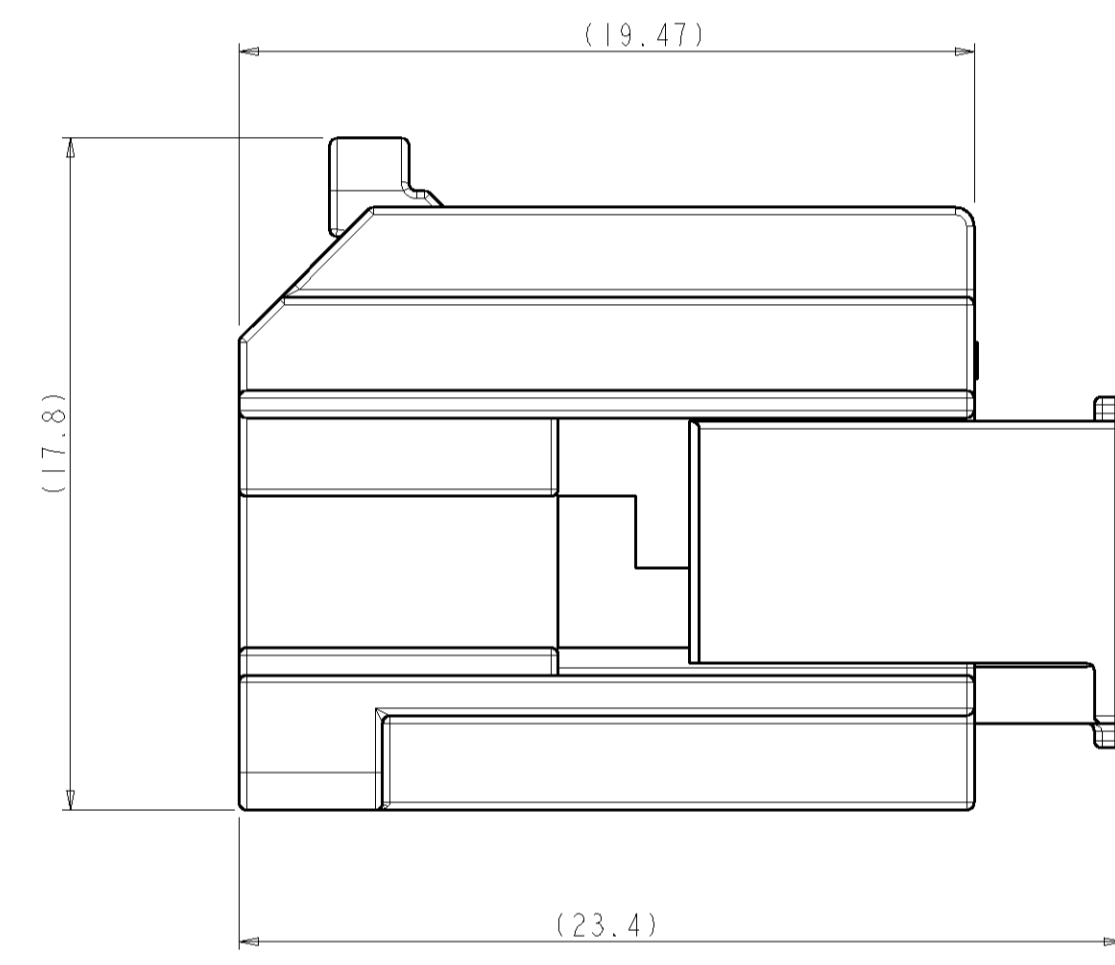
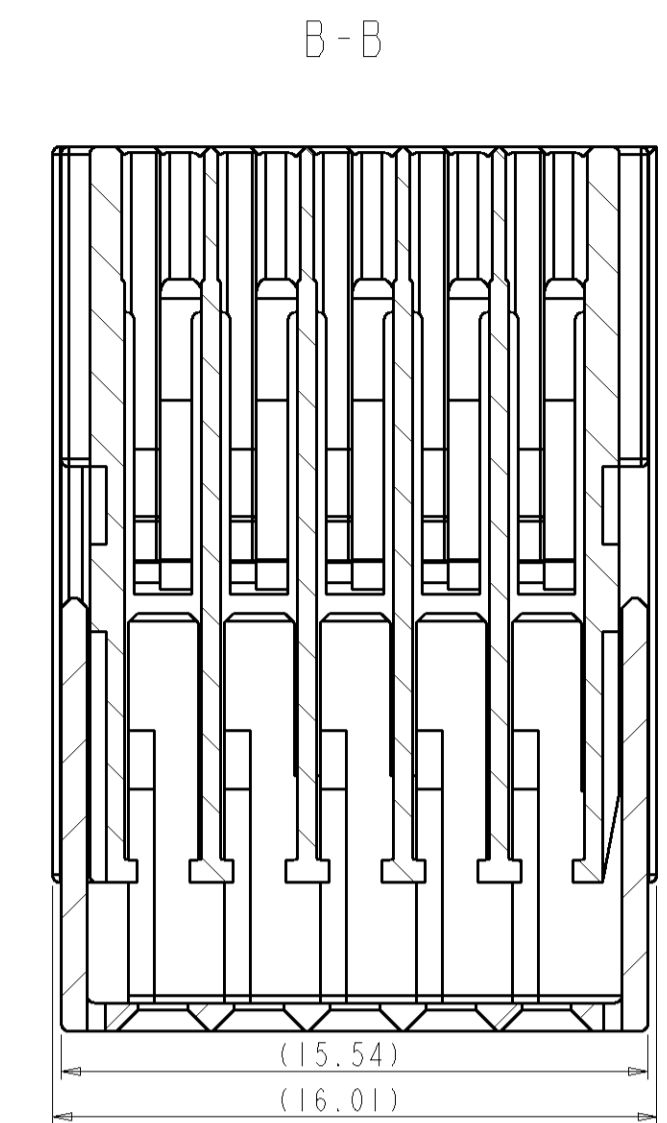
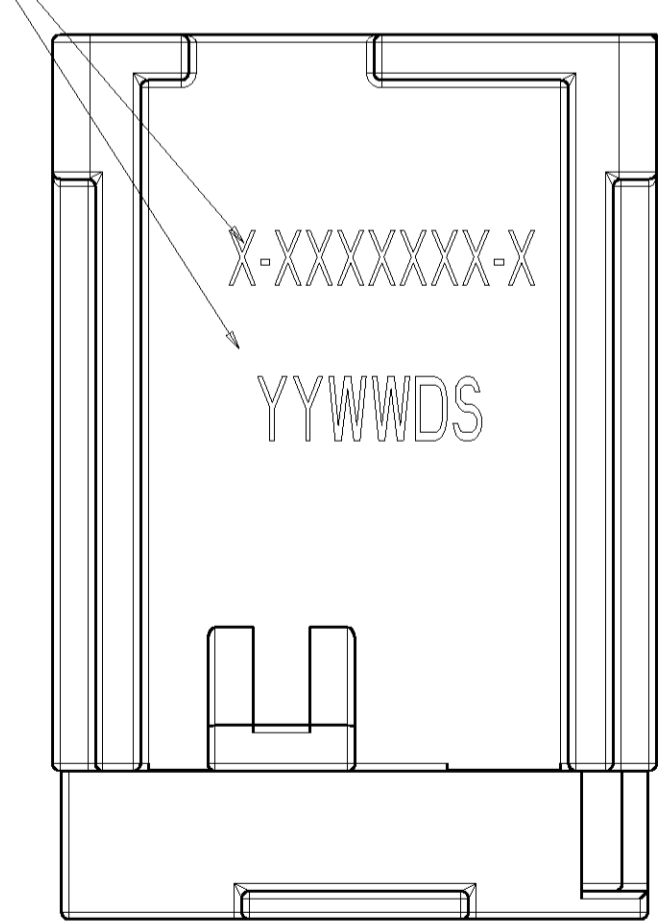
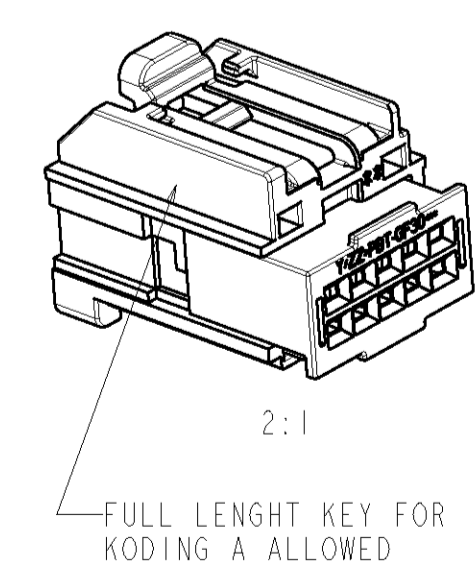


LOC	DIST	REVISIONS					
A	-	P	LTR	DESCRIPTION	DATE	DWN	APVD
		A		SEE PCN: EG00-4039-02-3	18DEC02	MD	-
		B		SEE PCN: ECR-06-000981	22JUN2007	CS	GS



TYCO ORDER NUMBER	KEYING OPTIONS								TYCO ASSY-REV.	DESCRIPTION	COLOUR	MATERIAL
	H	G	F	E	D	C	A	QUANTITY				
4-1419170-1												
5-1419170-7												
4-1419170-0												
5-1419170-6												
3-1419170-9												
5-1419170-5												
3-1419170-8												
5-1419170-4												
3-1419170-7												
5-1419170-3												
3-1419170-6												
5-1419170-2												
1-1419158-4												
5-1419170-8												



- 1 TERMINAL POSITION NUMBERS LOCATED AS SHOWN
- 2 SPACER AND CPA (OPTIONAL) ARE SHIPPED IN PRE ASSEMBLED POSITION
- 3 PART NUMBER AND DATE CODE
- 4 PRODUCT REVISION LEVEL (OPTIONAL)
- 5 TOOL NUMBER, MOLD CAVITY NUMBER AND TYCO LOGO (OPTIONAL)
- 6 MATERIAL IDENTIFICATION

PACKING:  
 CONNECTOR ASSEMBLIES PACKED ON TRAY  
 TRAYS PACKED IN CARD BOARD BOX

DIMENSIONS: mm		TOLERANCES UNLESS OTHERWISE SPECIFIED:		DWN: 04NOV2002		SCHALLENBERGER		TYCO Electronics	
9-ELC ±		0.15		G. STEINBACH		TUDC2002		Harrisburg, PA 17105-3608	
1-PLC ±		0.15		NAME		2X5POS. GET		RESTRICTED TO	
2-PLC ±		0.15		PRODUCT SPEC		FEMALE CONNECTOR; UNSEALED		-	
3-PLC ±		0.15		APPLICATION SPEC		ASSEMBLY		-	
4-PLC ±		0.15		WEIGHT		A   00779 C=1-1419158-4		-	
ANGLES		-		CUSTOMER DRAWING		SCALE 5:1		SHEET 1 OF 1	
FINISH		-						REV B	