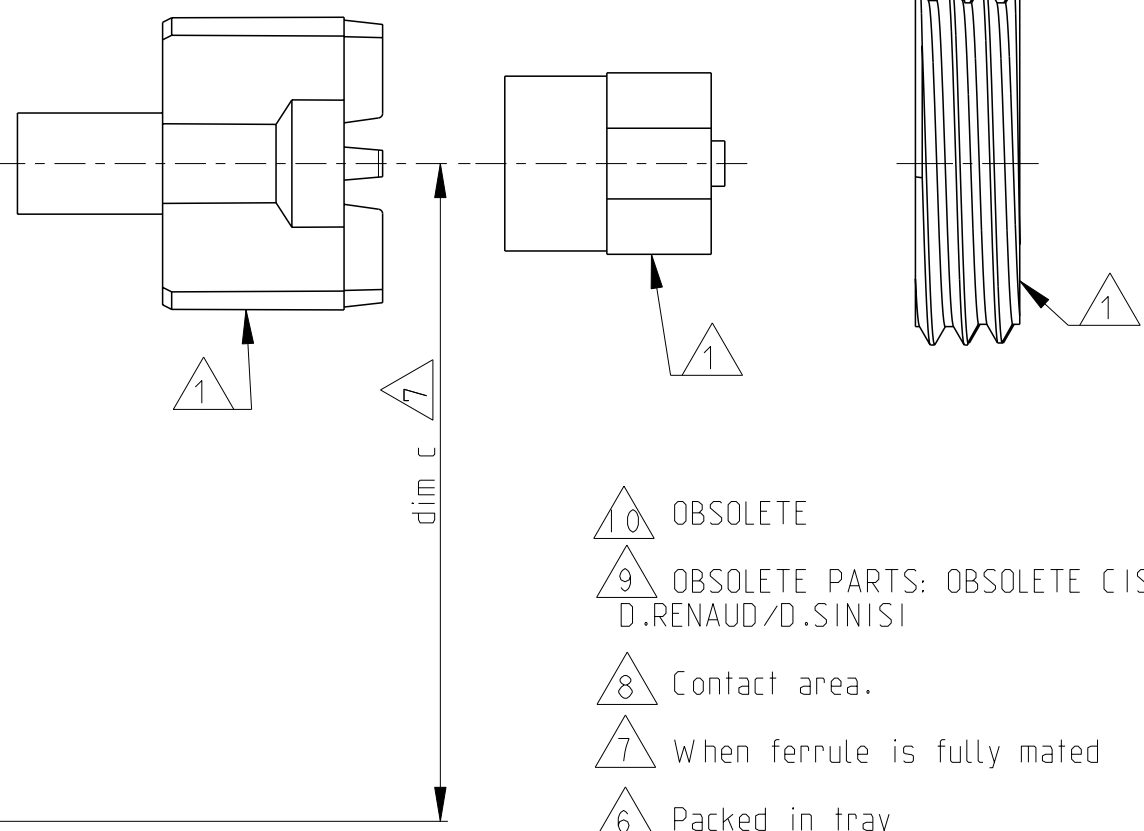
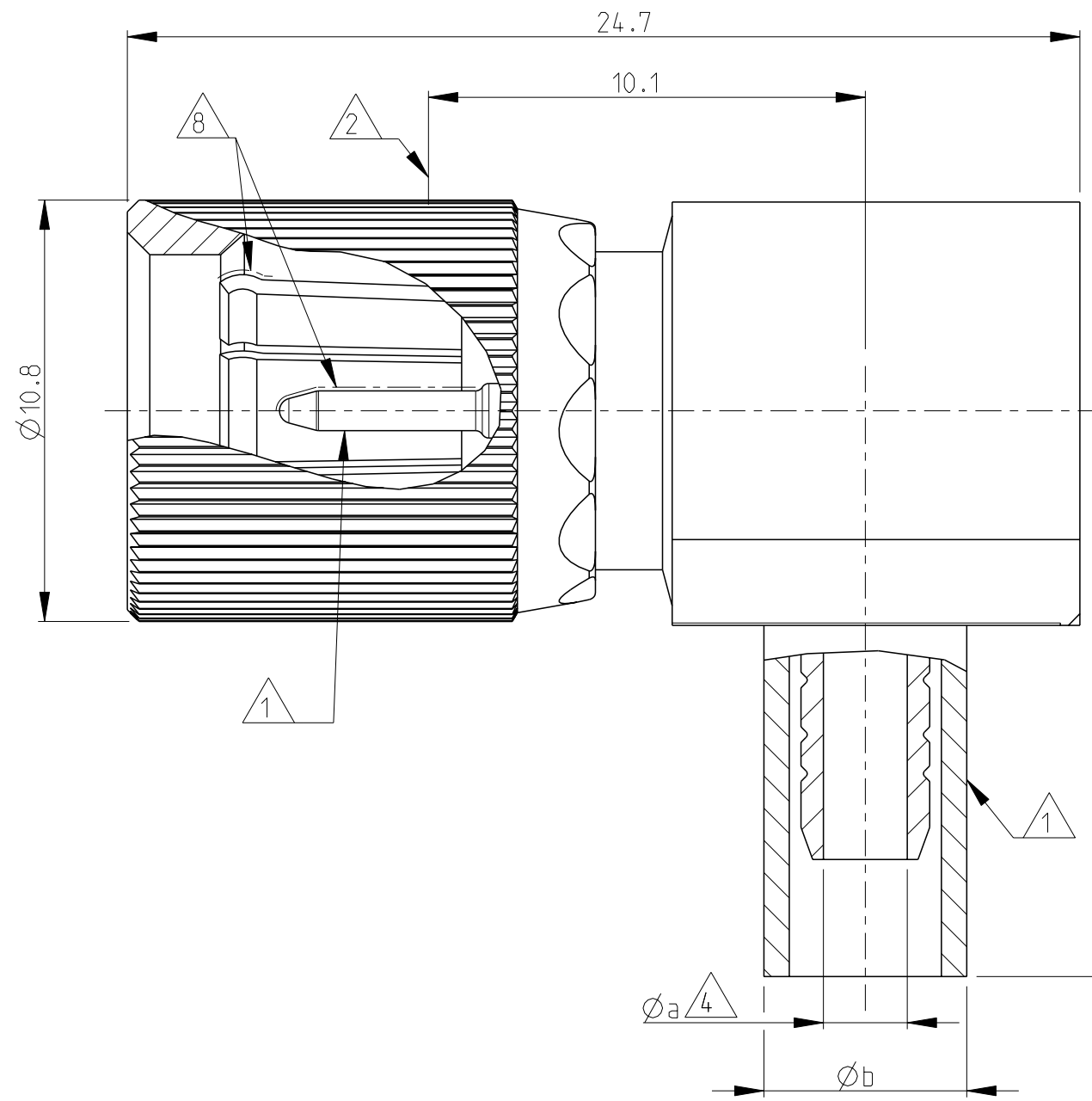
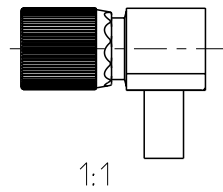
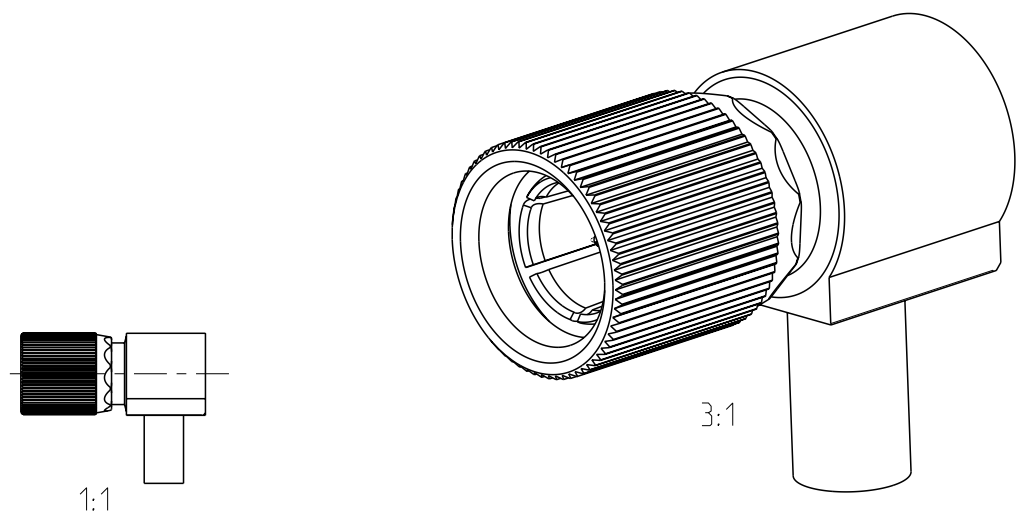


THIS DRAWING IS UNPUBLISHED. RELEASED FOR PUBLICATION 2000
 © COPYRIGHT 2000 BY TYCO ELECTRONICS CORPORATION. ALL RIGHTS RESERVED.

LOC	DIST	REVISIONS					
		P	LTR	DESCRIPTION	DATE	DWN	APVD
IS	-		B3	REVISE PER ECR-17-000730	18JAN2017	LN	RS



- 10 OBSOLETE
- 9 OBSOLETE PARTS: OBSOLETE CIS STREAMLINING PER D.RENAUD/D.SINISI
- 8 Contact area.
- 7 When ferrule is fully mated
- 6 Packed in tray
- 5) All dimensions are maximum unless otherwise specified.
- 4 Minimum dimensions
- 3) Mating face according to DIN 47295/CECC 22240.
- 2 Reference plane.
- 1 Supplied as loose part.



THIS DRAWING IS A CONTROLLED DOCUMENT FOR TYCO ELECTRONICS CORPORATION IT IS SUBJECT TO CHANGE AND THE CONTROLLING ENGINEERING ORGANIZATION SHOULD BE CONTACTED FOR THE LATEST REVISION.		DWN B. Lenvain 27FEB2001	Tyco Electronics Ch - Switzerland - Lugano															
DIMENSIONS: mm		CHK K. Mattheeuws 5APR2001	NAME Angle Cable Plug 1.6/5.6															
TOLERANCES UNLESS OTHERWISE SPECIFIED:		APVD R. Leeman 5APR2001																
<table border="1"> <tr><td>0 PLC</td><td>±</td></tr> <tr><td>1 PLC</td><td>±</td></tr> <tr><td>2 PLC</td><td>±</td></tr> <tr><td>3 PLC</td><td>±</td></tr> <tr><td>4 PLC</td><td>±</td></tr> <tr><td>ANGLES</td><td>±</td></tr> </table>		0 PLC	±	1 PLC	±	2 PLC	±	3 PLC	±	4 PLC	±	ANGLES	±	PRODUCT SPEC -	SIZE A3	CAGE CODE 00779	DRAWING NO C-1-1393680-6	RESTRICTED TO -
0 PLC	±																	
1 PLC	±																	
2 PLC	±																	
3 PLC	±																	
4 PLC	±																	
ANGLES	±																	
MATERIAL -		APPLICATION SPEC 114-71024	SCALE 6:1		SHEET 1 OF 2	REV B3												
FINISH -		WEIGHT -	CUSTOMER DRAWING															

THIS DRAWING IS UNPUBLISHED.

RELEASED FOR PUBLICATION

2000

© COPYRIGHT 2000

BY TYCO ELECTRONICS CORPORATION. ALL RIGHTS RESERVED.

LOC

DIST

REVISIONS

IS

-

P

LTR

DESCRIPTION

DATE

DWN

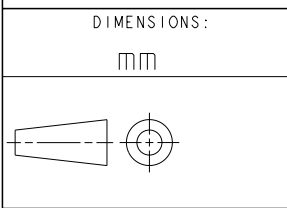
APVD

SEE SHEET 1

Cross reference tabel

Old part number	TE part number	Description	Material	Plating	Øa	Øb	dim c	Cable type
V23612-C202-A76	4-1393680-4 9	Outer conductor	CuBe/Bronze	min. 0.2 µm Au over PdNi in contact area 8	2.15	5.2	15	02Y(St)CY 0.45/2.0
		Center conductor	CuBe/Bronze	min. 0.2 µm Au over PdNi in contact area 8				
		Dielectric	PEEK/PC	-				
V23612-A202-A76A 6	4-1393680-9 9 6	Outer conductor	CuBe/Bronze	min. 0.2 µm Au over PdNi in contact area 8	2.15	5.2	15	02Y(St)CY 0.45/2.0
		Center conductor	CuBe/Bronze	min. 0.2 µm Au over PdNi in contact area 8				
		Dielectric	PEEK/PC	-				
V23612-A202-A76	4-1393680-8 10	Outer conductor	CuBe/Bronze	min. 0.2 µm Au over PdNi in contact area 8	2.15	5.2	15	02Y(St)CY 0.45/2.0
		Center conductor	CuBe/Bronze	min. 0.2 µm Au over PdNi in contact area 8				
		Dielectric	PEEK/PC	-				
V23612-A202-A62A	4-1393680-7 9	Outer conductor	CuBe/Bronze	min. 0.2 µm Au over PdNi in contact area 8	2.15	5.2	15	02Y12YC(MS)C6Y 0.45/2.0
		Center conductor	CuBe/Bronze	min. 0.2 µm Au over PdNi in contact area 8				
		Dielectric	PEEK/PC	-				
V23612-A202-A62	1-1393680-6	Outer conductor	CuBe/Bronze	min. 0.2 µm Au over PdNi in contact area 8	2.15	5.2	15	02Y(St)CY 0.45/2.0
		Center conductor	CuBe/Bronze	min. 0.2 µm Au over PdNi in contact area 8				
		Dielectric	PEEK/PC	-				
V23612-A202-A45	4-1393680-3 10	Outer conductor	CuBe/Bronze	min. 0.2 µm Au over PdNi in contact area 8	2.55	6.2	15	02YCCY 0.4/2.5 2YC(MS)CY 0.4/2.5
		Center conductor	CuBe/Bronze	min. 0.2 µm Au over PdNi in contact area 8				
		Dielectric	PEEK/PC	-				
V23612-A202-A34	4-1393680-2 9	Outer conductor	CuBe/Bronze	min. 0.2 µm Au over PdNi in contact area 8	2.35	6.4	18	TR-SP127 TR-SP128
		Center conductor	CuBe/Bronze	min. 0.2 µm Au over PdNi in contact area 8				
		Dielectric	PEEK/PC	-				
V23612-A202-A32	4-1393680-1 9	Outer conductor	CuBe/Bronze	min. 0.2 µm Au over PdNi in contact area 8	3.8	8.18	18	TR-SP109
		Center conductor	CuBe/Bronze	min. 0.2 µm Au over PdNi in contact area 8				
		Dielectric	PEEK/PC	-				

THIS DRAWING IS A CONTROLLED DOCUMENT FOR TYCO ELECTRONICS CORPORATION. IT IS SUBJECT TO CHANGE AND THE CONTROLLING ENGINEERING ORGANIZATION SHOULD BE CONTACTED FOR THE LATEST REVISION.



DIMENSIONS:	TOLERANCES UNLESS OTHERWISE SPECIFIED:
mm	
0 PLC	±
1 PLC	±
2 PLC	±
3 PLC	±
4 PLC	±
ANGLES	±
MATERIAL	FINISH
-	-

DWN	B. Lenvain	5APR2001
CHK	K. Mattheeuws	5APR2001
APVD	R. Leeman	5APR2001
PRODUCT SPEC	-	
APPLICATION SPEC	-	
WEIGHT	-	

Tyco Electronics CH - Switzerland - Lugano			
NAME			
Cable angle plug 1.6/5.6			
SIZE	CAGE CODE	DRAWING NO	RESTRICTED TO
A3	00779	1-1393680-6	-

CUSTOMER DRAWING SCALE 6:1 SHEET 2 OF 2 REV B3