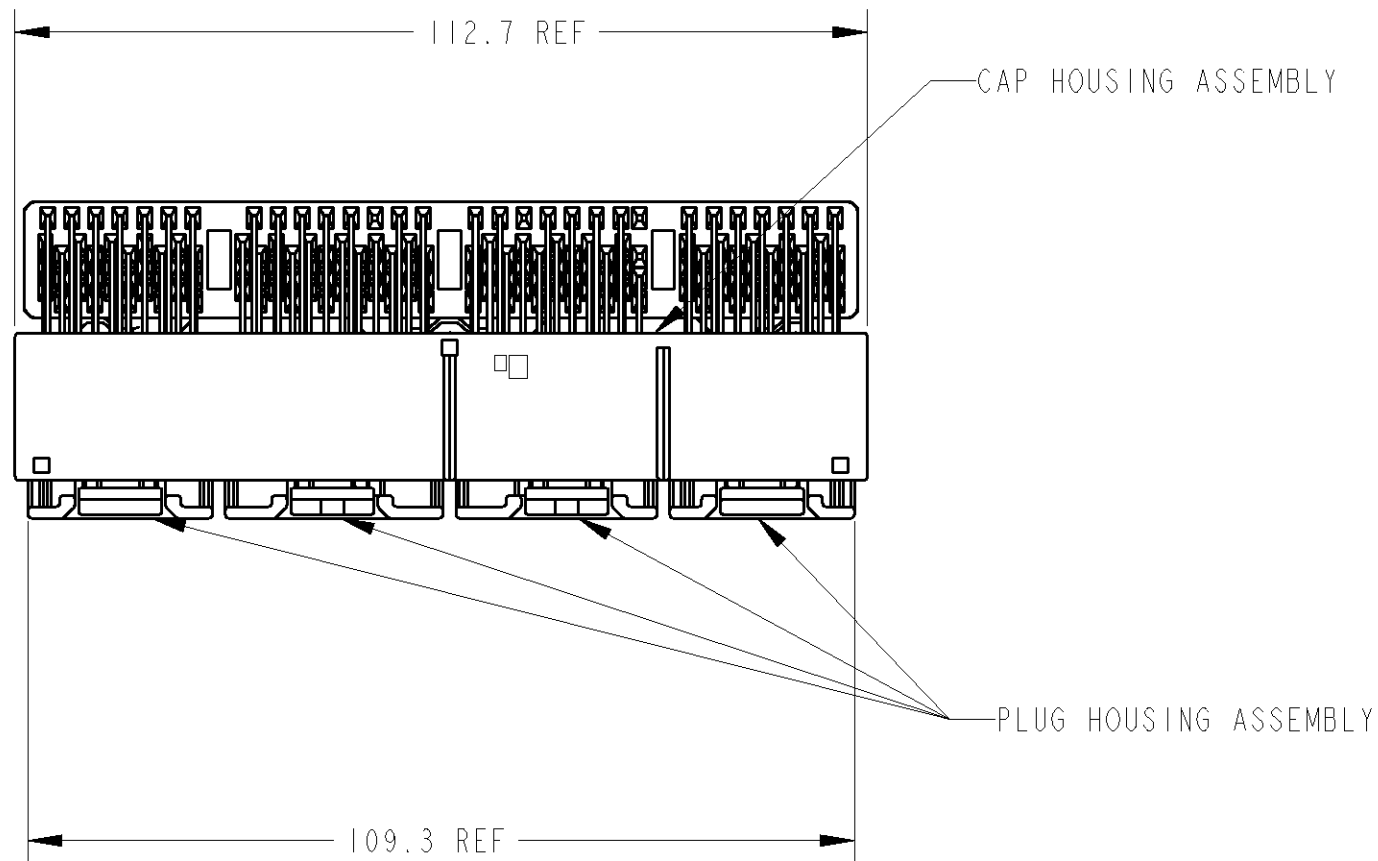
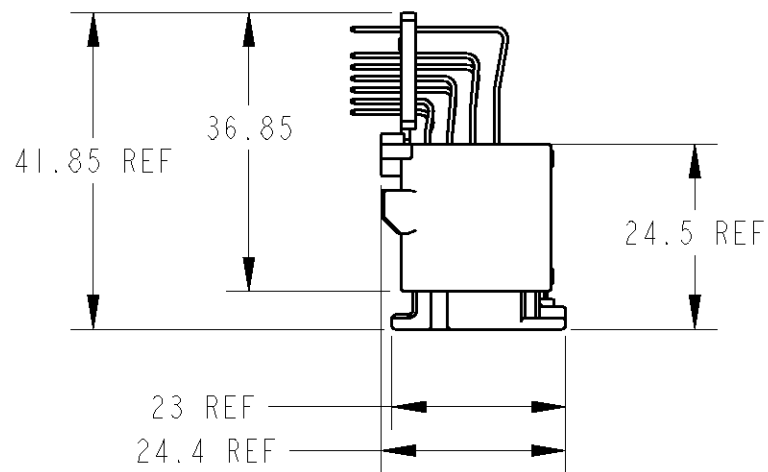


THIS DRAWING IS UNPUBLISHED. RELEASED FOR PUBLICATION
 © COPYRIGHT 2000 BY TYCO ELECTRONICS CORPORATION. ALL RIGHTS RESERVED.

LOC	DIST	REVISIONS		
J	X	P	LTR	DATE
		DESCRIPTION		DWN
		SEE SHEET 1 OF 2		APVD



CAP HOUSING ASSEMBLY & PLUG HOUSING ASSEMBLY ENGAGEMENT VIEW
 CAP HOUSING ASSEMBLY & PLUG HOUSING ASSEMBLY 嵌合図

THIS DRAWING IS A CONTROLLED DOCUMENT FOR TYCO ELECTRONICS CORPORATION IT IS SUBJECT TO CHANGE AND THE CONTROLLING ENGINEERING ORGANIZATION SHOULD BE CONTACTED FOR THE LATEST REVISION.		DWN	Tyco Electronics AMP K.K. Kawasaki, Japan	
DIMENSIONS: 単位: 概 mm	TOLERANCES UNLESS OTHERWISE SPECIFIED: 一般公差 = ±0.3	CHR	NAME 名称 0.64/1.0 CONNECTOR 135 POSITION CAP HOUSING ASSEMBLY	
	0-PLC ±	APVD	PRODUCT SPEC 製品規格 SEE 1 OF 2	SIZE A3
	1-PLC ±0.1		APPLICATION SPEC 取付適用規格 SEE 1 OF 2	
MATERIAL 材料 SEE 1 OF 2	FINISH 仕上 SEE 1 OF 2	WEIGHT SEE 1 OF 2	DRAWING NO 番号 C-1-1376430-7	RESTRICTED TO -
CUSTOMER DRAWING			SCALE 尺度 1:1	SHEET 2 OF 2