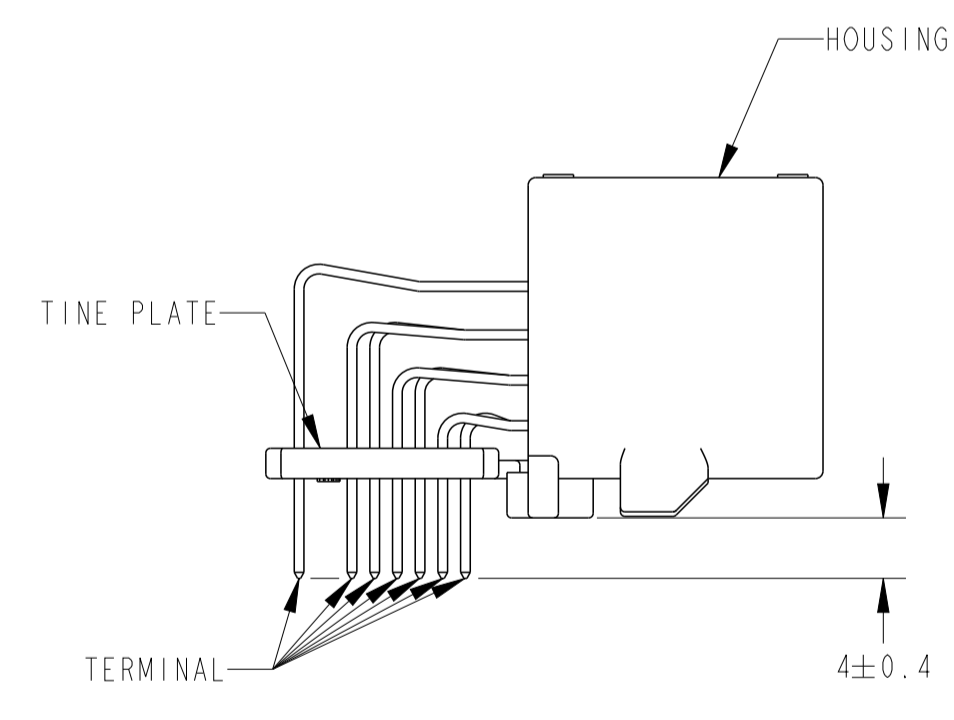
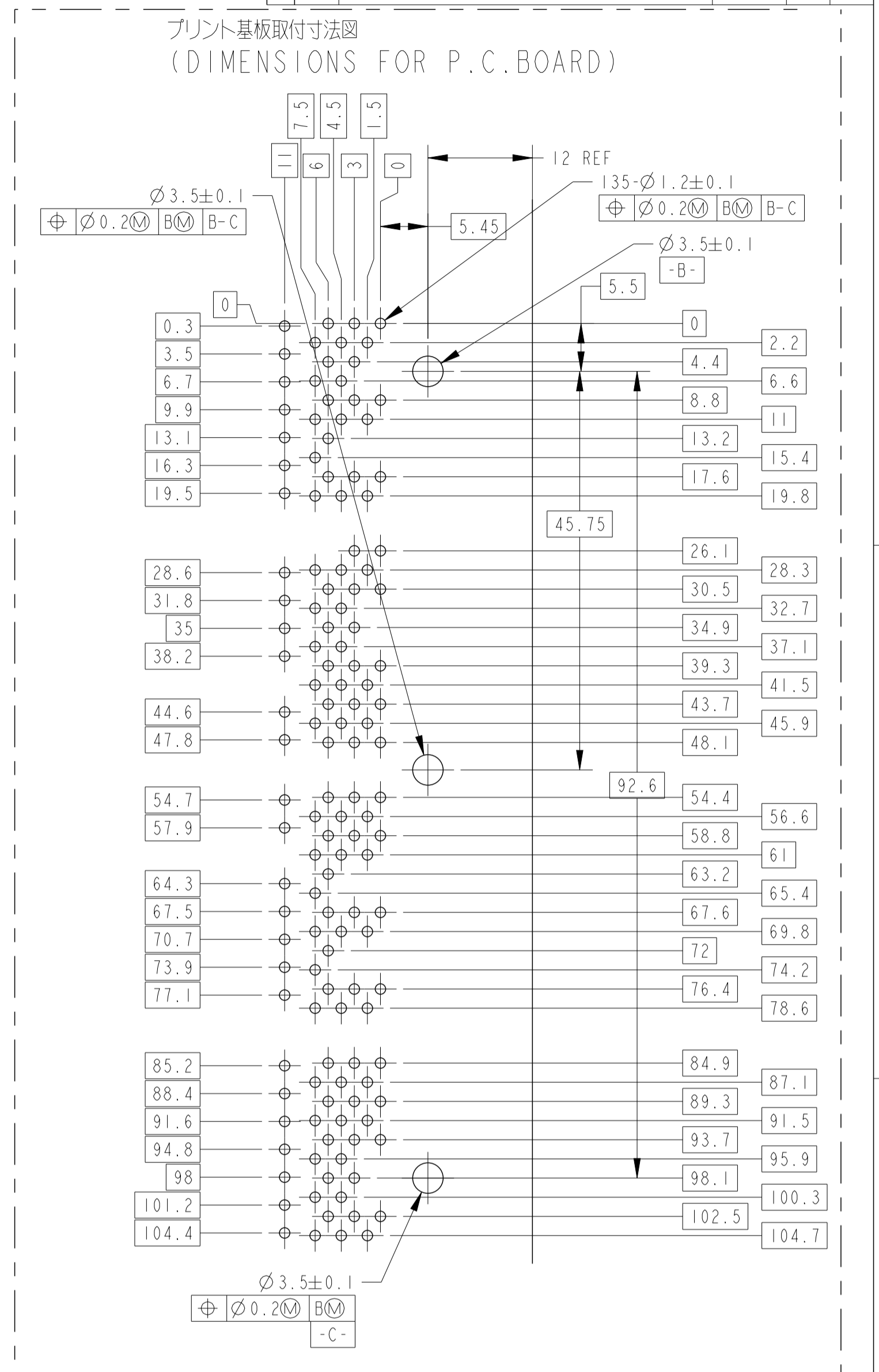
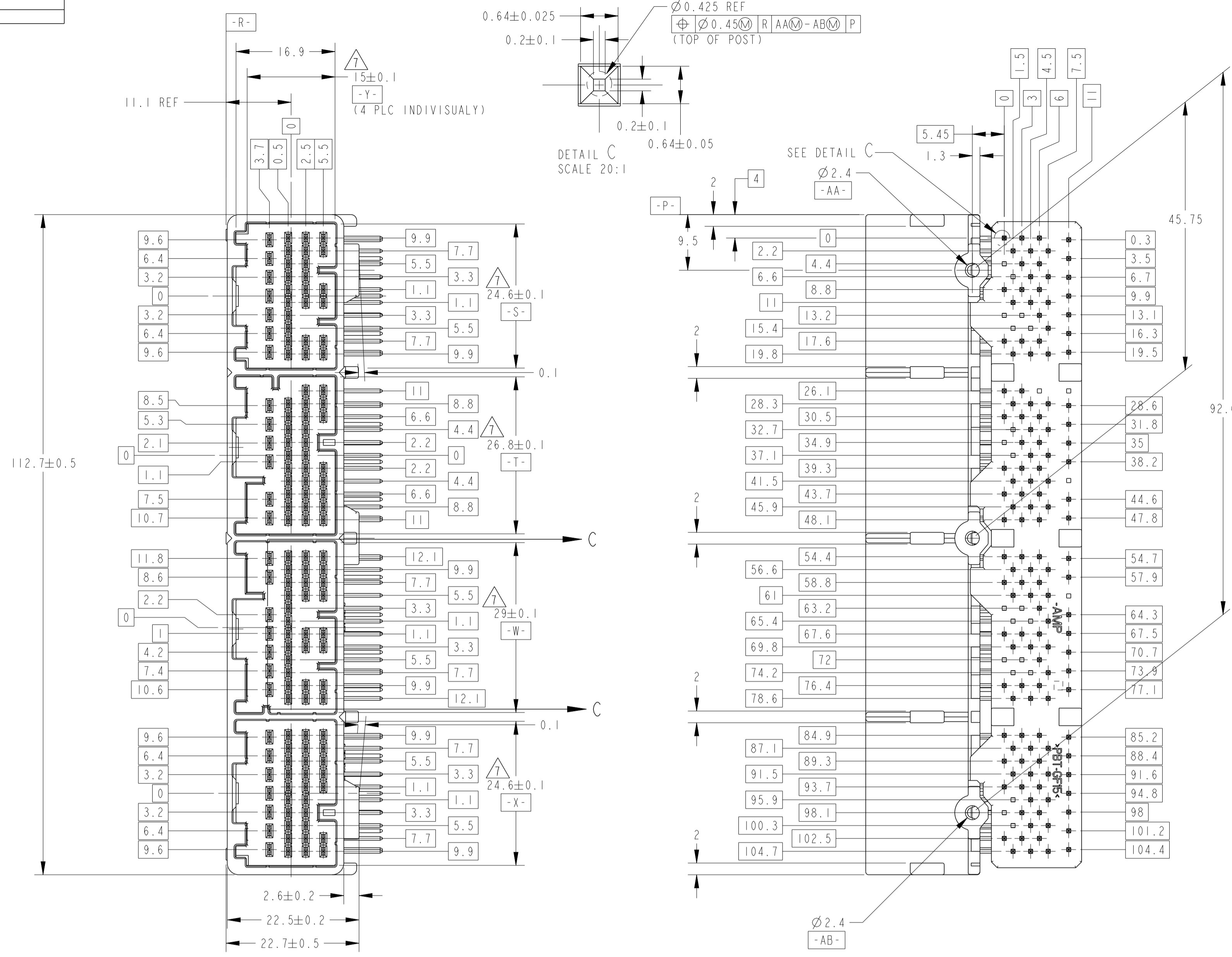
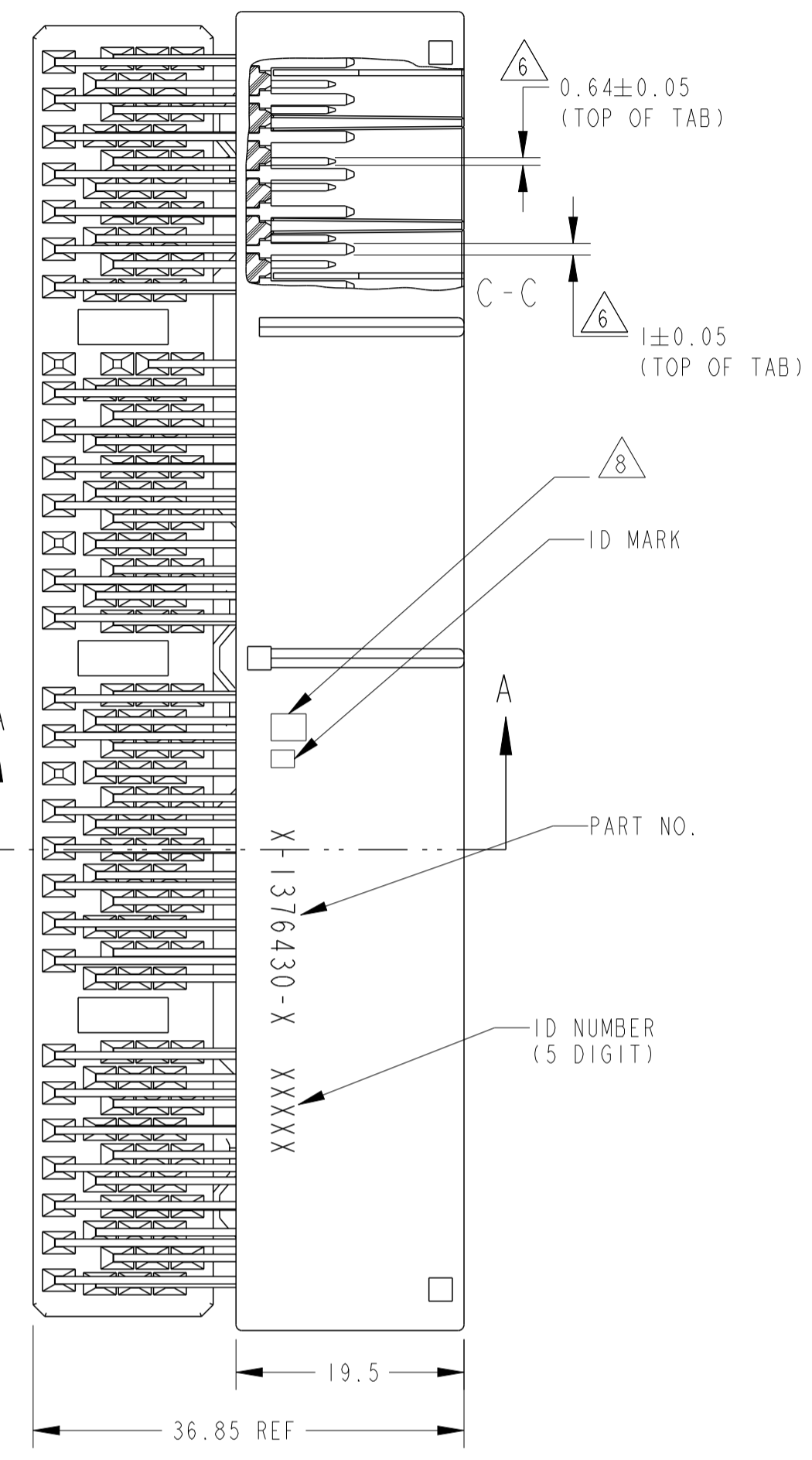


REVISIONS				
REV	DATE	DESCRIPTION	BY	CHK
A	04NOV08	RELEASED	KF	HY
A1	08SEP2016	ADD 3-137430-5 ECR-16-011997	HH	TK



1. 嵌合相手ハウジング型番 : TABLE -1参照
 2. 回路番号: FIG 1 参照
 3. パワー回路: 囲み数字27箇所 FIG 1 参照
 4. 推奨取り付け: JIS B1115, B1122タッピングねじ, 長さ: TABLE-2参照
 5. ねじ締めトルク管理値(参考値): 0.392N・m REF
但し, TE詳細仕様表 ねじの締め合わせの場合, よって, 管理値は別途規定すること。
 6. $\begin{matrix} \oplus \\ \ominus \end{matrix} \begin{matrix} 0.3 \\ 0.2 \end{matrix} \begin{matrix} Z \\ Y \\ DTM \end{matrix} \begin{matrix} \oplus \\ \ominus \end{matrix}$ 粗し。
3次D.T.M.については, [-S-], [-T-], [-W-], [-X-] を各々のブロック毎に適用すること
 7. [-Z-] は0.7, 5mmの位置で測定
 8. コンタクト上端の位置: 表参照
 9. 取扱説明書 NO. : 411-5932
1. PART NO OF PLUG HOUSINGS TO BE MATED : SEE TABLE -1
 2. CIRCUIT NUMBERS ; SEE FIG 1
 3. POWER CIRCUITS ; CIRCLED NUMBER 27 POSITIONS, SEE FIG 1
 4. RECOMMENDED SCREW: PAN-HEADED, TYPE 2 TAPPING SCREW, NOMINAL DIAMETER 3mm LENGTH; SEE TABLE-2(JIS B1115, B1122). FASTENING TORQUE(FOR REFERENCE): 0.392N・m REF. THIS IS A FASTENING TORQUE WHEN USING A SCREW AND P.C.B. OF TE MAKE TORQUE FOR OPERATION SHOULD BE PROVIDED RESPECTIVELY
 5. TERTIARY DATUM: [-S-], [-T-], [-W-], [-X-] OF EACH BLOCK.
 6. MEASURED AT 7.5mm FROM [-Z-]
 7. IDENTIFICATION MARK FOR THE CONTACT FINISH; SEE TABLE INSTRUCTION SHEET NO. : 411-5932

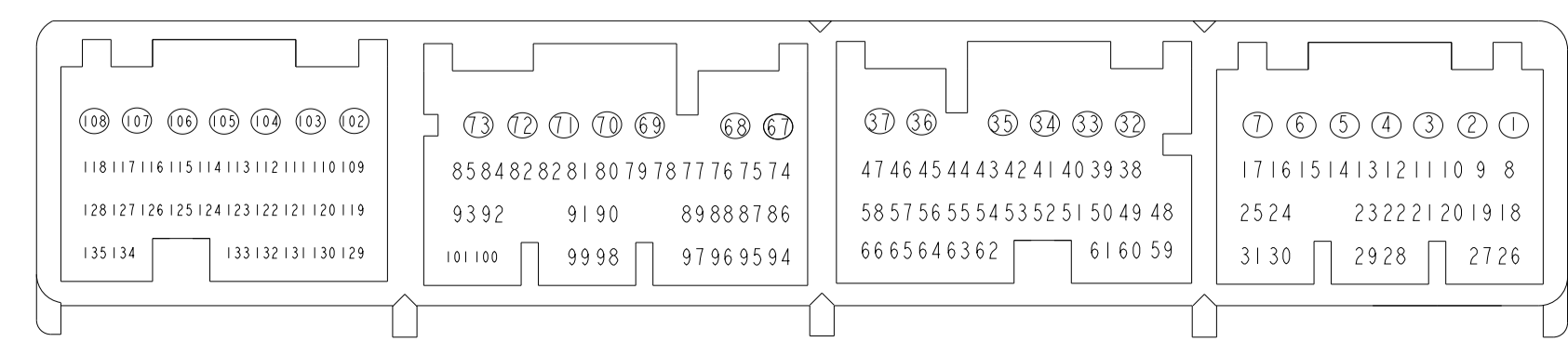
TABLE -1

POS	PLUG HOUSING PART NUMBER
34	1123337, 1674925
35	1123338, 1674558
35	1123340, 1674928
31	1123341, 1674919

TABLE -2

プリント基板板厚 (mm)	1.2	1.6
推奨用ねじ下長 (mm)	5	6
NOMINAL LENGTH OF SCREW(mm)	5	6

FIG. 1 端子構成



PAPER BOX	PLASTIC TUBE	SELECTIVE TIN(MATTE)	SELECTIVE GOLD(部分金めっき) × 66	—	18 TO 31, 48 TO 66	BLACK/PBT	BLACK/SPS	3-1376430-5
ダンボール箱	プラスチックチューブ	部分金めっき	SELECTIVE-TIN(すずめっき) × 69	—	86 TO 101, 119 TO 135	BLACK/PBT	BLACK/SPS	1-1376430-6
PLASTIC BOX 通い箱	PLASTIC TUBE 通い箱	SELECTIVE TIN(MATTE) 部分金めっき	SELECTIVE-TIN(すずめっき) × 66	—	18 TO 31, 48 TO 66	BLACK/PBT	BLACK/SPS	1-1376430-6
分装	内装	SOLDERING SIDE 半田付け面	CONTACT SIDE 接点側	1.0 TAB	0.64 TAB	TINE PLATE	HOUSING	PART NUMBER 製品型番
PACKING STYLE 梱包形態		CONTACT FINISH コンタクト仕上げ		GOLD PLATED CIRCUIT NO 金めっき回路番号		COLOR/MATERIAL 色/材料		

THIS DRAWING IS A CONTROLLED DOCUMENT. DIMENSIONS: 単位: mm. TOLERANCES UNLESS OTHERWISE SPECIFIED: 一般公差 ± 0.3. MATERIAL: SPS GF17 PBT GF15 BRASS. FINISH: 粗し. WEIGHT: 34g. CUSTOMER DRAWING. DATE: 04NOV08. CHK: H. YAMAGAMI. APVD: H. YAMAGAMI. PRODUCT SPEC: 108-5674. APPLICATION SPEC: 114-5217, 5250. SIZE: A1. CAGE CODE: 00779. DRAWING NO: 1-1376430-6. SHEET: 1 OF 2. REV: A1.

4

3

2

1

THIS DRAWING IS UNPUBLISHED.

RELEASED FOR PUBLICATION

© COPYRIGHT 2000

ALL RIGHTS RESERVED.

REVISIONS

変更

P	LTR	DESCRIPTION	DATE	DWN	APVD
		SEE SHEET 1 OF 2			

41.85 REF
36.85
24.5 REF
23 REF
24.4 REF

112.7 REF
109.3 REF
CAP HOUSING ASSEMBLY
PLUG HOUSING ASSEMBLY

CAP HOUSING ASSEMBLY & PLUG HOUSING ASSEMBLY ENGAGEMENT VIEW
CAP HOUSING ASSEMBLY & PLUG HOUSING ASSEMBLY 嵌合図

THIS DRAWING IS A CONTROLLED DOCUMENT.		DWN	-		 TE Connectivity
DIMENSIONS: 単位: 毫 mm		CHK	-		
		APVD	-		
TOLERANCES UNLESS OTHERWISE SPECIFIED: 一般公差 = ±0.3		PRODUCT SPEC		NAME	025/040 EFI ECU CONNECTOR 135 POSITION CAP HOUSING ASSEMBLY
0 PLC ± 1 PLC ±0.5 2 PLC ±0.13 3 PLC ±0.013 4 PLC ±0.000J ANGLES ±3		SEE 1 OF 2		取付適用規格	
MATERIAL 材料 SEE 1 OF 2		FINISH 仕上 SEE 1 OF 2		APPLICATION SPEC	RESTRICTED TO
		WEIGHT		SEE 1 OF 2	SIZE
		CUSTOMER DRAWING		SCALE	1:1
				SHEET	2 OF 2
				REV	A1
				DRAWING NO	G-1-1376430-6
				CAGE CODE	00779

1470-19 (3/13)