

4

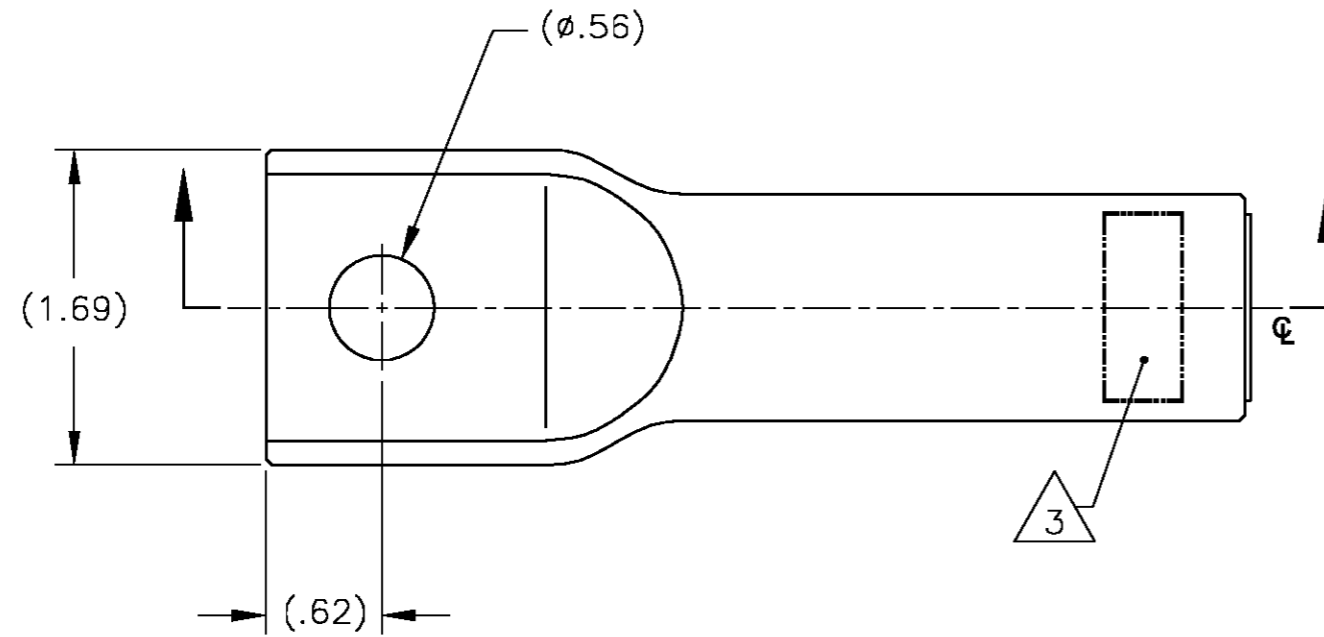
3

2

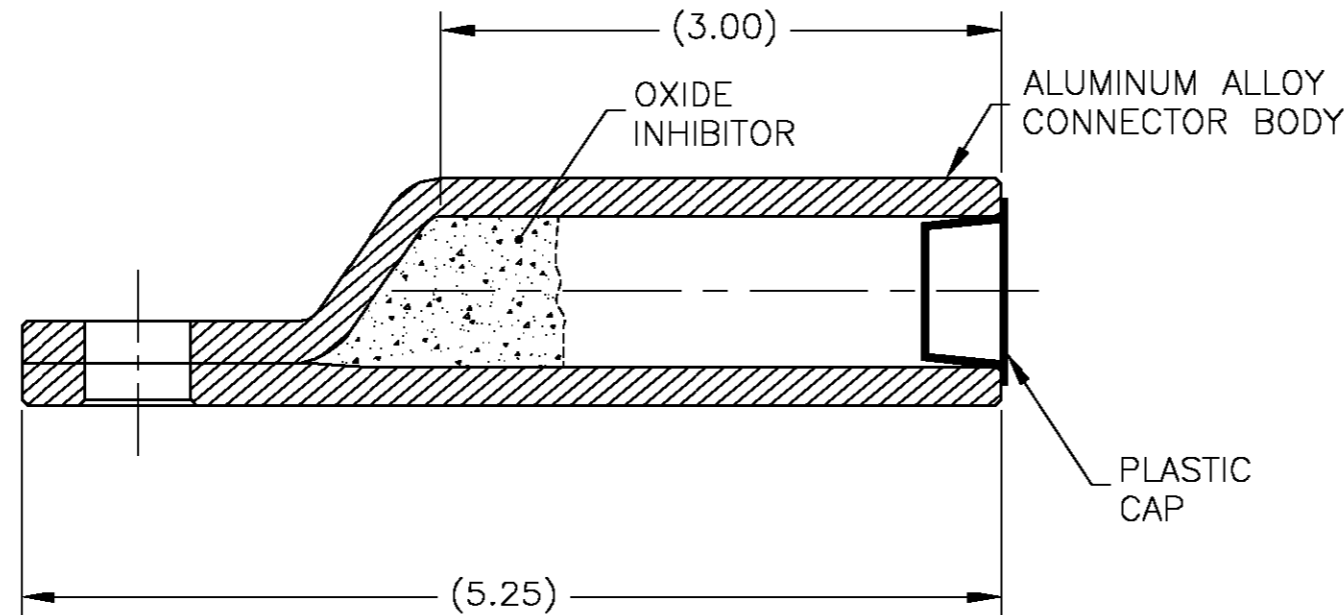
1

THIS DRAWING IS UNPUBLISHED. RELEASED FOR PUBLICATION  
© COPYRIGHT BY TYCO ELECTRONICS CORPORATION. ALL RIGHTS RESERVED.

LOC	DIST	REVISIONS			
P	LTR	DESCRIPTION	DATE	DWN	APVD
GA	1	0	INITIAL REL. PER LC20-0011-07	27DEC06	DM BJ



- 1 MATERIAL:  
ALUMINUM ALLOY.
- 2 ACCOMMODATES:  
450 KCMIL STD STR (.772 DIA.)  
ALUMINUM OR COPPER CONDUCTOR.
- 3 MARKING:  
  
TYCO 1-1199649-0  
KL045TN  
450 KCM  
CSA 28  
[D/C]
- 4 FINISH:  
ELECTRO-TIN PLATED.
- 5 ALL DIMENSIONS ARE FOR REFERENCE ONLY.



L877	KL045TN	1-1199649-0
O.H. SPEC.	CAT. P/N	TYCO P/N

THIS DRAWING IS A CONTROLLED DOCUMENT.		DWN D. MURUGIAH 27DEC2006	Tyco Electronics Corporation Markham, ON L3R-1E1	
DIMENSIONS: INCHES		CHK A. BULZA 06JAN2007	NAME B. JOHNSON 08JAN2007	
		APVD B. JOHNSON 08JAN2007	PRODUCT SPEC ALUMINUM COMPRESSION LUG TERMINAL, 1 HOLE PAD, TIN PLATED, 450 KCMIL STD STR ALUMINUM OR COPPER CONDUCTORS	
TOLERANCES UNLESS OTHERWISE SPECIFIED:		APPLICATION SPEC	RESTRICTED TO	
0 PLC ± 1 PLC ± 2 PLC ± 3 PLC ± 4 PLC ± ANGLES ±		WEIGHT	SIZE A3	CAGE CODE 00779
MATERIAL 1		FINISH 4	DRAWING NO C-1-1199649-0	
CUSTOMER DRAWING			SCALE NTS	SHEET 1 OF 1
			REV 0	