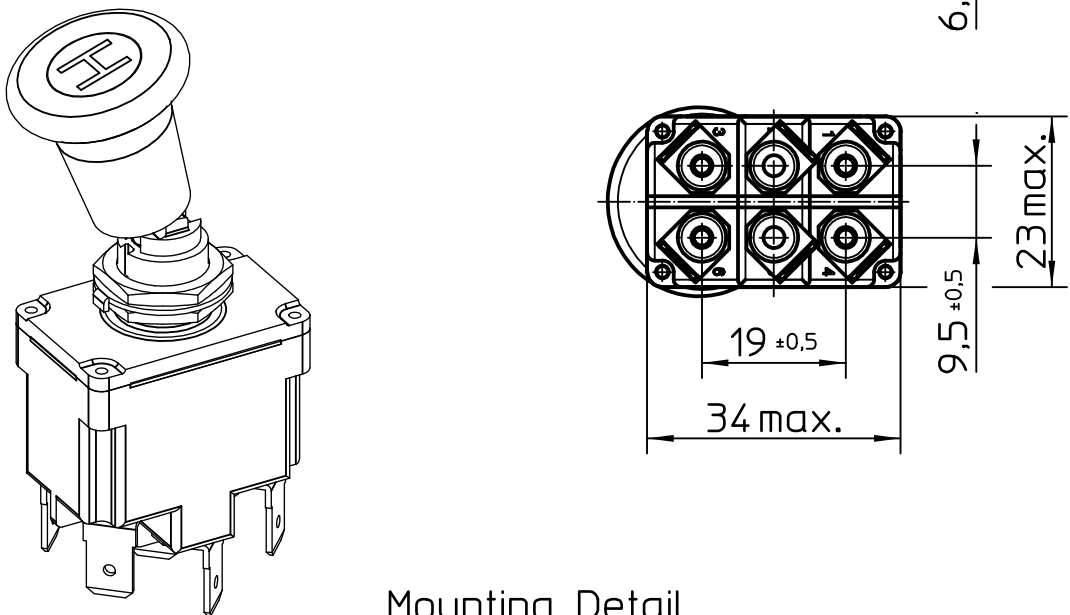
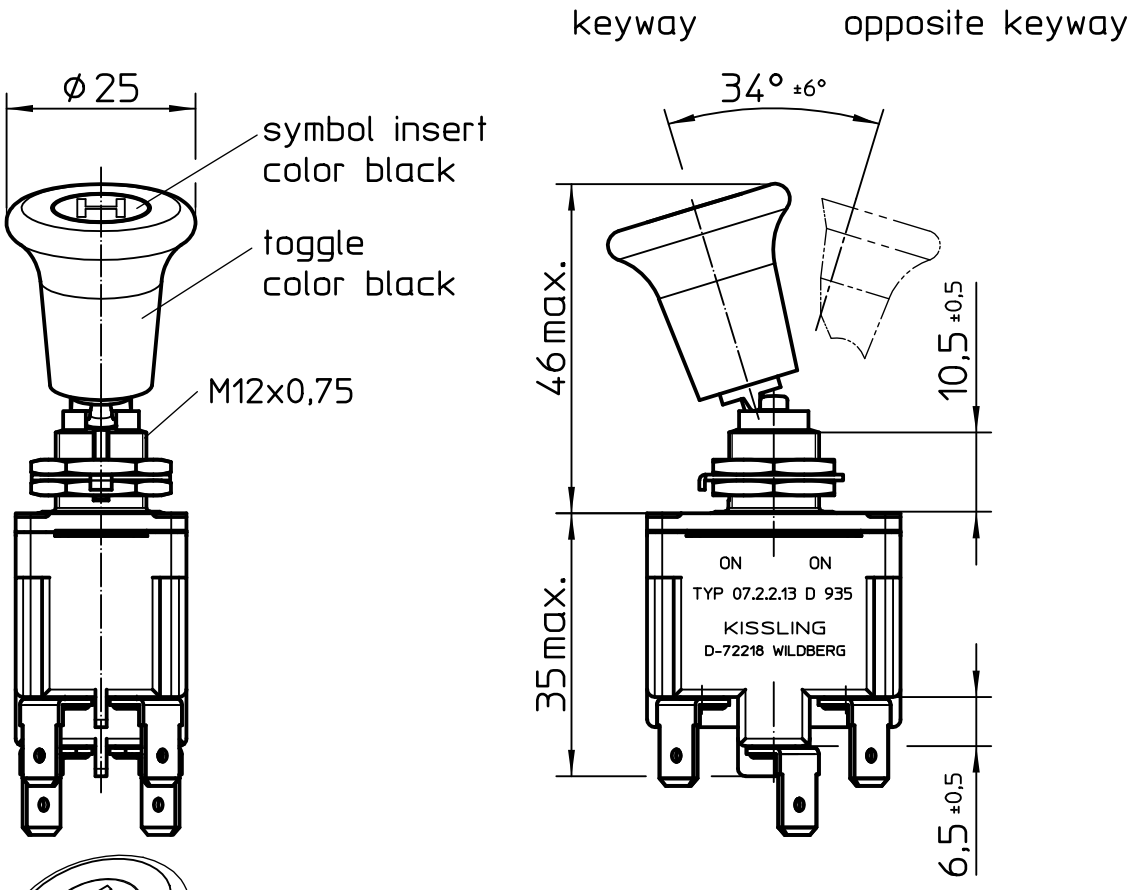
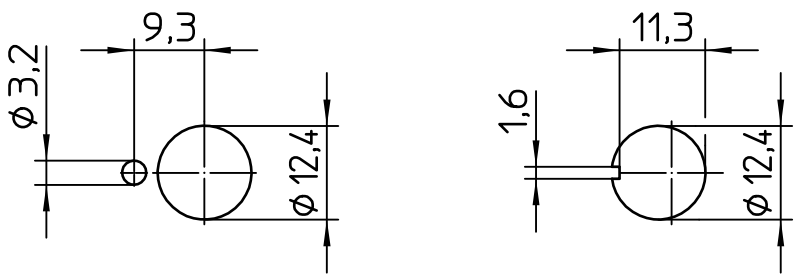


Toggle Switch

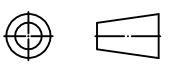


Mounting Detail


with locking ring without locking ring



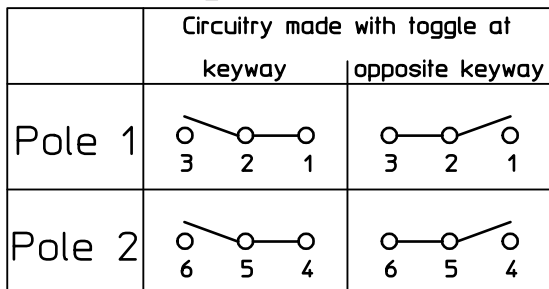
Third Angle Projection



Für diese Zeichnung behalten wir uns das Urheberrecht gemäß DIN 34 vor

	Datum	Name	Freimaßtoleranz	Maßstab		Zeichnungs-Nr.:
Bearb.	02.04.2015	Stock	DIN ISO 2768 cL	1:1		07-2-2-13 D 935
Gepr.	07.04.2015	Stock				Vers.Nr.:

Circuit Diagram



Actuation

locking keyway side
locking opposite keyway side

Locking Configuration

locked keyway side
locked opposite keyway side

Construction

Material, Casing Thermoplast GF
 Material, Cover Steel
 Connections Faston DIN 46 244-A6,3-0,8
 Protection Interior IP 6K5 DIN 40 050 Part 9
 Connections IP 00 DIN 40 050 Part 9

Mechanical Data


Current carrying parts CuZn-Alloy
 Contacts Ag gal. Au
 Ambient Temperature Range -35°C to +60°C
 Storage Temperature Range -35°C to +80°C
 Life Cycle (nominal load) 100.000 operations

Electrical data

Max. Rating 60 V DC 50 mA
 24 V DC 100 mA
 12 V DC 250 mA
 6 V DC 250 mA

Min. Rating 5 V DC, 2 mA

Larger Loads will damage gold plating

	Date	Name	mm	Scale		Drawing No:
Drawn	07.04.2015	Stock	General Tolerances	1:1		07-2-2-13 D 935
Check	07.04.2015	Stock				NSN.: