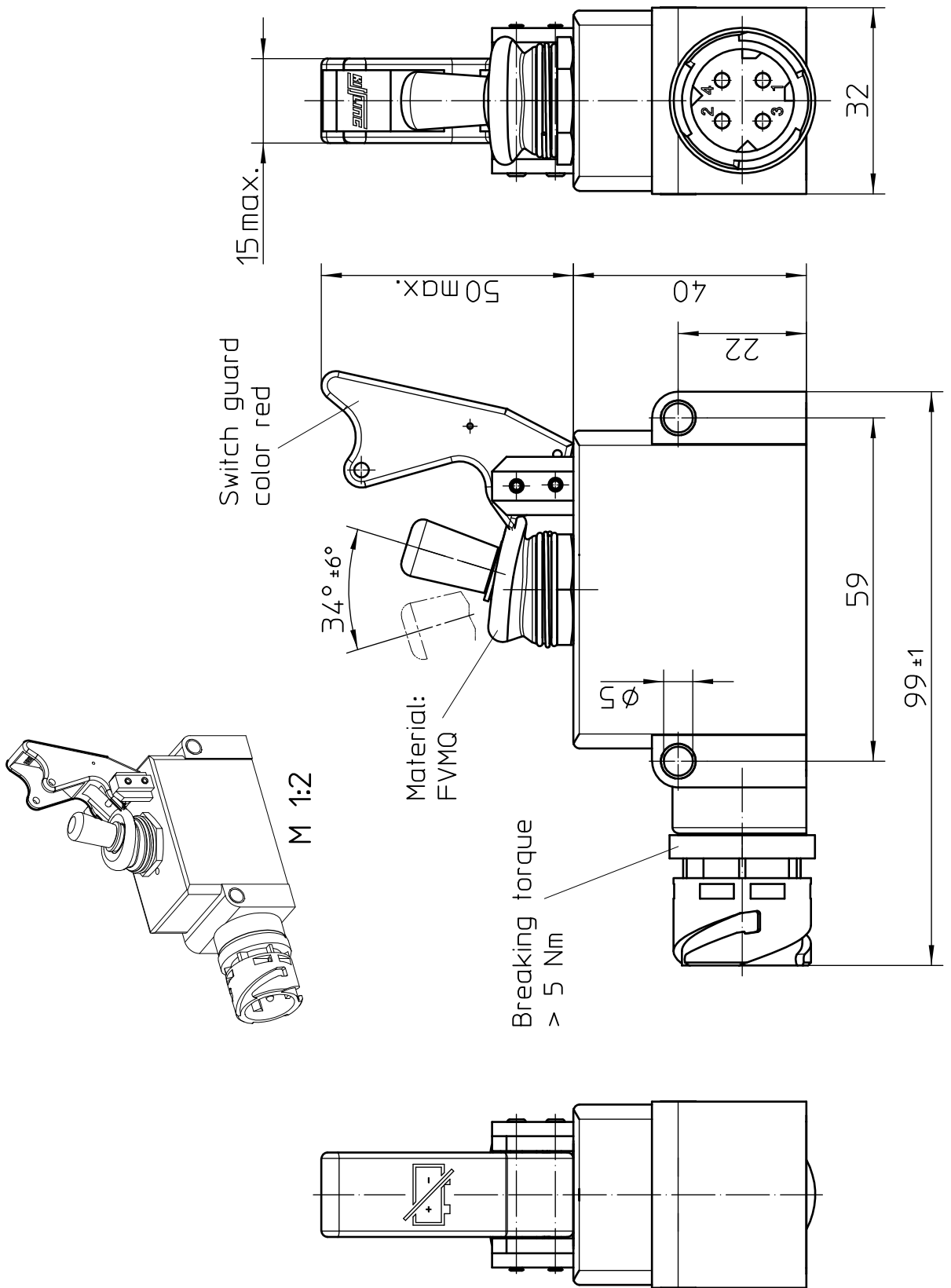


# Toggle Switch



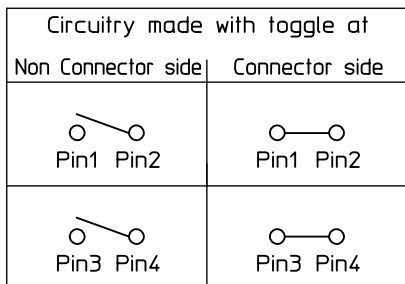
	Date	Name
Drawn	26.04.2011	Stock
Check	07.05.2018	WalzA

mm ↔	Scale <b>1:1</b>
General Tolerances DIN ISO 2768 cL	



Drawing No:	<b>07-2-2-10 919</b>
NSN:	

## Circuit Diagramm



## Actuation

locking Connector side  
locking non Connector side

## Construction

Material, Casing ..... Thermoplast GF  
 Material, Cover ..... Thermoplast GF  
 Connection ..... Connector iaw DIN 72 585  
 Protection ..... IP 6K7 DIN 40 050 Part 9  
 Recommende screw ..... M4 iaw DIN EN ISO 1580 or 7045 with washer

## Mechanical Data

Current carrying parts ..... CuZn-Alloy  
 Contacts ..... AgSnO  
 Ambient Temperature Range ..... -35°C to +100°C  
 Life Cycle ..... 100.000 operations

## Electrical Data

Voltage 12 V DC ohmic Load ..... 20A  
 28 V DC ohmic Load ..... 20A  
 28 V DC inductive Load ..... at L/R = 5 ms 15A  
 28 V DC lamp Load ..... 7A  
 115 V AC ohmic Load ..... 15A  
 115 V AC inductive Load ..... cos.  $\Phi$  = 0,75,15A  
 115 V AC lamp Load ..... 4A  
 Motor Load ..... utilisation category AC3 (see DIN VDE 0660 Part 107) 5A

Min. Rating ..... 12 V DC, 20 mA

It is recommended to use gold-plated contacts for lower currents or voltages.

	Date	Name	mm	Scale		Drawing No:
Drawn	26.04.2011	Stock	←	1:1		07-2-2-10 919
Check	07.05.2018	WalzA	General Tolerances DIN ISO 2768 cL			NSN.: