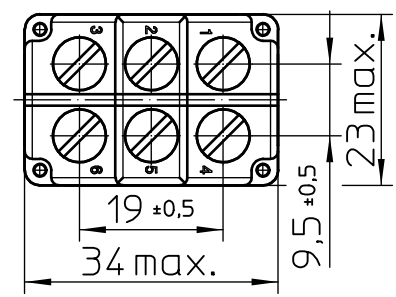
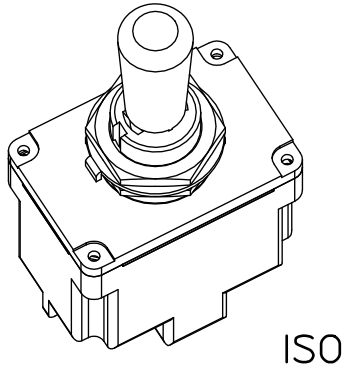
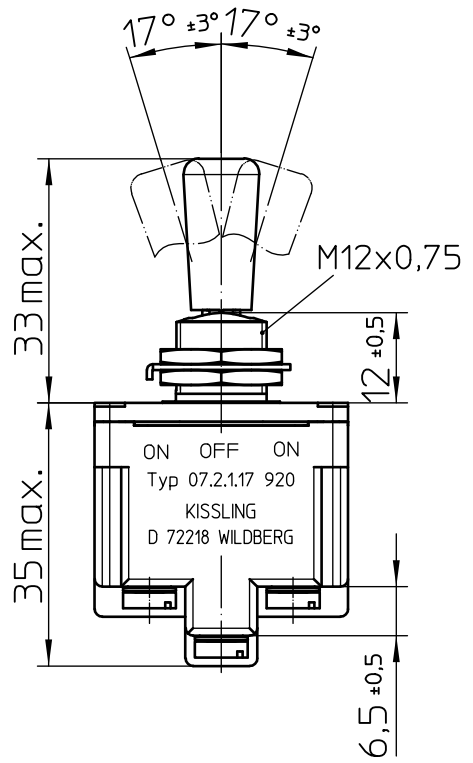
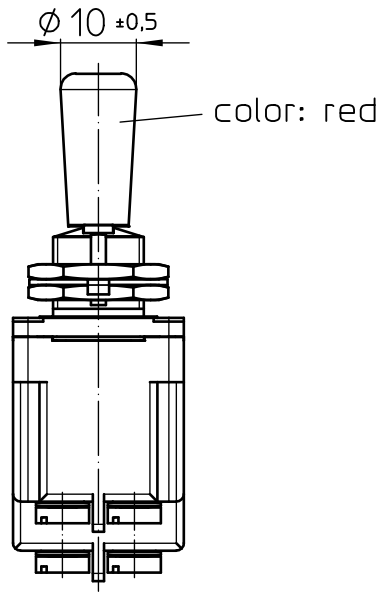


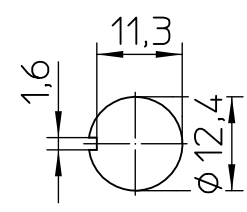
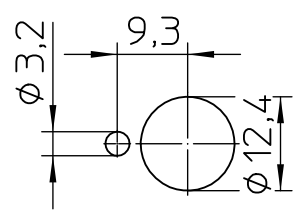
keyway                      opposite keyway



## Mounting Detail

with locking ring

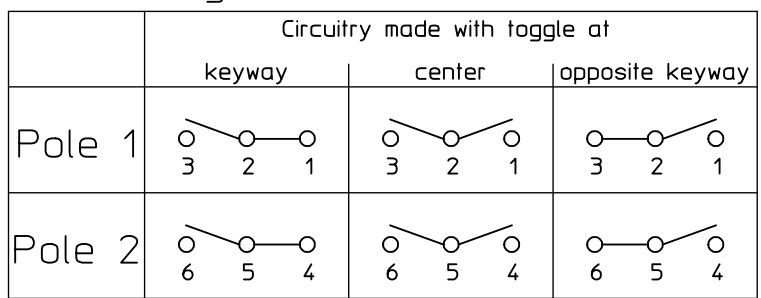
without locking ring



Third Angle Projection

	Date	Name	mm	Scale	 Elektrotechnik - GmbH & Co KG D - 72218 Wildberg	Drawing No:
Drawn	04.02.2004	Braun	←	1:1		07-2-1-17 920
Check	02.12.2005	Braun	General Tolerances DIN ISO 2768 mK			NSN.:

## Circuit Diagram



## Actuation

- momentary keyway side
- locking center position
- momentary opposite keyway side

## Construction

Material, Casing ..... Thermoplast GF  
 Material, Cover ..... GD-ZnAl4Cu1  
 Connections ..... Screws M3,5x6 ISO 1580  
 Protection Interior ..... IP 6K5 DIN 40 050 Part 9  
 Connections ..... IP 00 DIN 40 050 Part 9

## Mechanical Data

Current carrying parts ..... CuZn-Alloy  
 Contacts ..... Ag  
 Ambient Temperature Range ..... -35°C to +60°C  
 Storage Temperature Range ..... -35°C to +80°C  
 Life Cycle iaw VG 95 210 Part 21, grade H ..... 100.000 operations

## Electrical Data

Voltage 12 V DC ohmic Load ..... 20A  
 28 V DC ohmic Load ..... 18A  
 28 V DC inductive Load ..... at L/R = 5 ms 10A  
 28 V DC lamp Load ..... 5A  
 115 V AC ohmic Load ..... 11A  
 115 V AC inductive Load ..... cos.  $\Phi$  = 0,75, 8A  
 115 V AC lamp Load ..... 2A  
 Motor Load ..... utilisation category AC3 (see DIN VDE 0660 Part 107) 5A

Min. Rating ..... 12 V DC, 20 mA

It is recommended to use gold-plated contacts  
 for lower currents or voltages.

	Date	Name		Scale <b>1:1</b>		Drawing No:
Drawn	04.02.2004	Braun				General Tolerances
Check	04.02.2004	Stock			NSN.:	