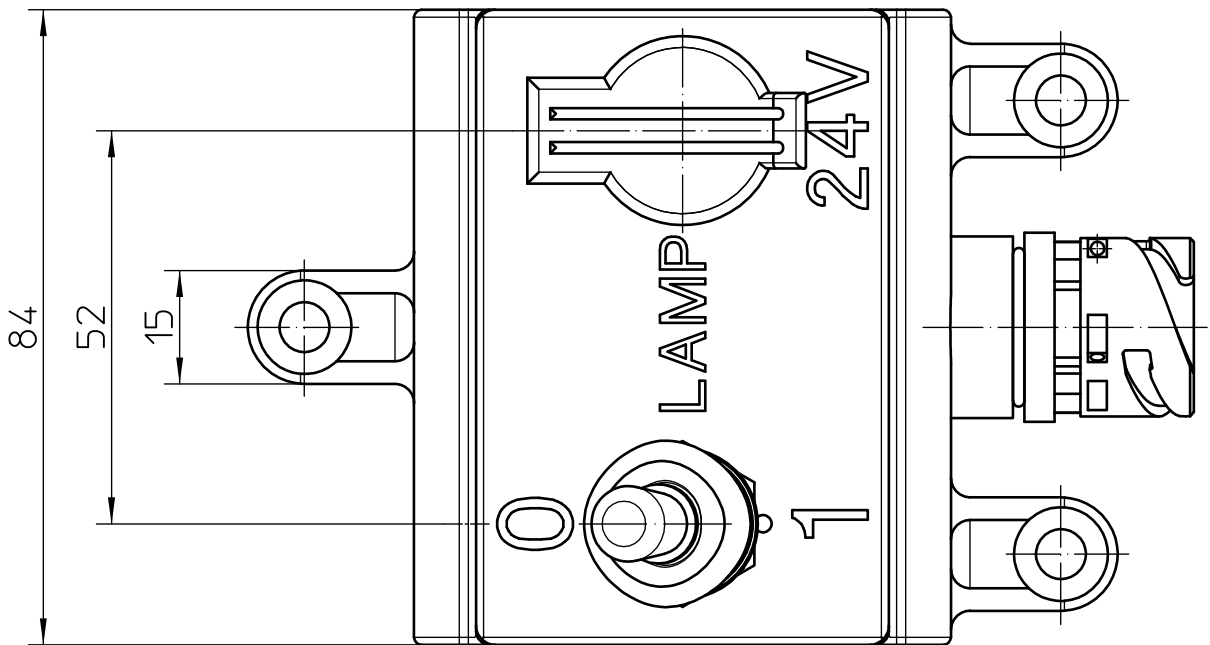
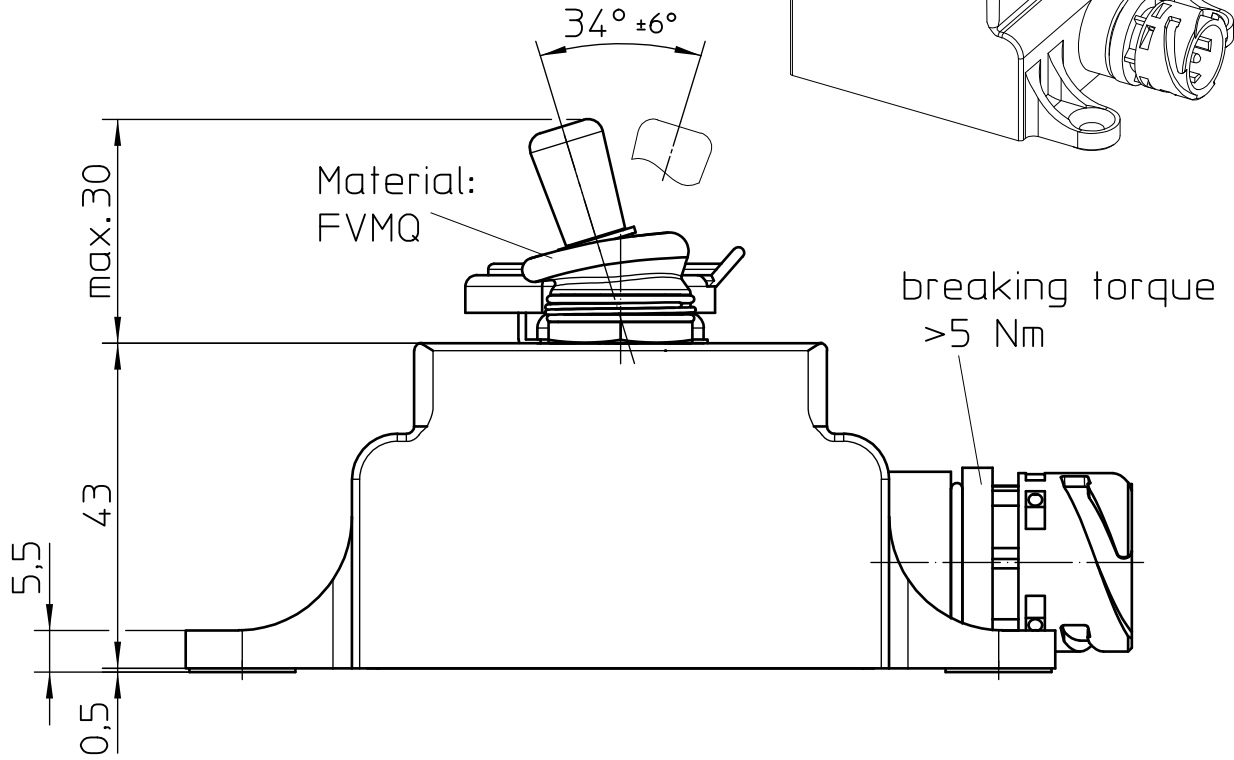
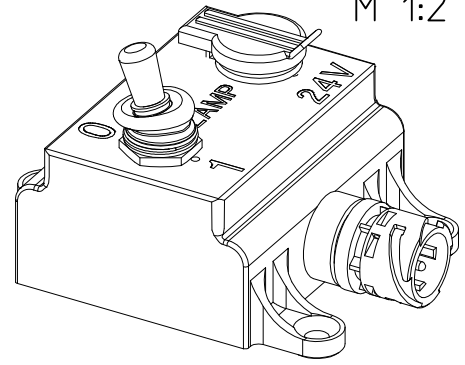
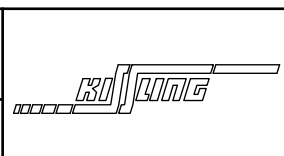


M 1:2



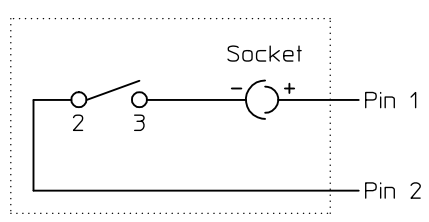
	Date	Name
Drawn	29.04.2010	Stock
Check	18.05.2010	Stock

mm ←	Scale 1:1
General Tolerances DIN ISO 2768 mK	



Drawing No:	07-1-3-99 917
NSN.:	

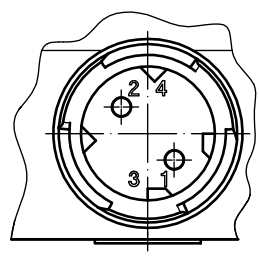
Circuit



Actuation

locking in 0 = OFF
locking in 1 = ON

Connector Style



Construction

Material, Casing Thermoplast GF
 Material, Cover Thermoplast GF
 Connection Connector iaw DIN 72 585
 Protection IP 6K4 DIN 40 050 Part 9
 Recommende screw Flat head screw M6

Mechanical Data

Current carrying parts CuZn-Alloy
 Contacts Ag
 Ambient Temperature Range -35°C to +85°C
 Storage Temperature Range -35°C to +85°C
 Life Cycle (nominal Load) 100.000 operations


Electrical Data

Voltage 12 V DC ohmic Load 10A
 28 V DC ohmic Load 10A
 28 V DC inductive Load at L/R = 5 ms 10A
 28 V DC lamp Load 4A
 115 V AC ohmic Load 10A
 115 V AC inductive Load $\cos. \Phi = 0,75, 7A$
 115 V AC lamp Load 2A
 Motor Load utilisation category AC3 (see DIN VDE 0660 Part 107) 5A

Min. Rating 12 V DC, 20 mA

It is recommended to use gold-plated contacts for lower currents or voltages.

Für diese Zeichnung behalten wir uns das Urheberrecht gemäß DIN 34 vor

	Datum	Name	Freimaßtoleranz	Maßstab		Zeichnungs-Nr.:
Bearb.	29.04.2010	Stock		1:1		07-1-3-99 917
Gepr.	18.05.2010	Stock				Vers.Nr.: