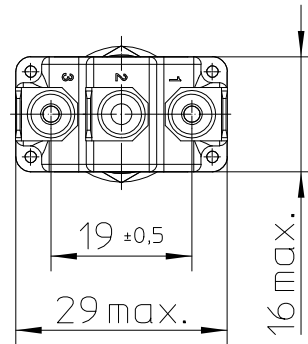
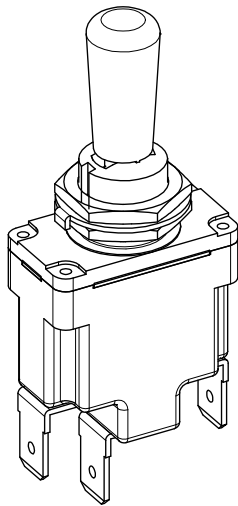
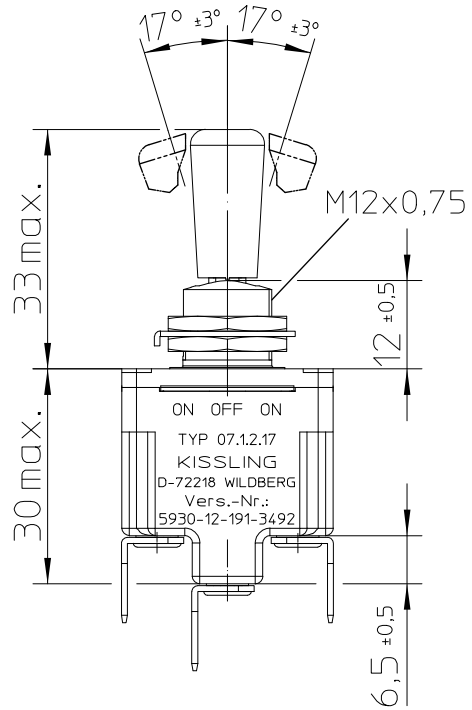
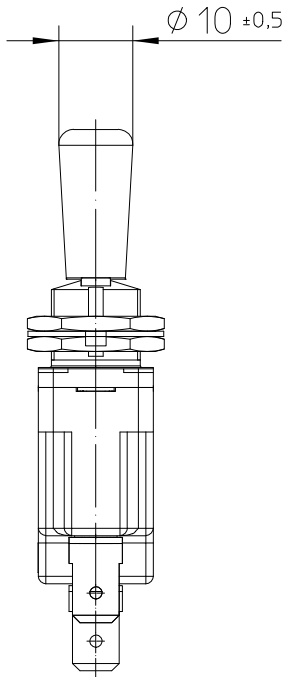


keyway

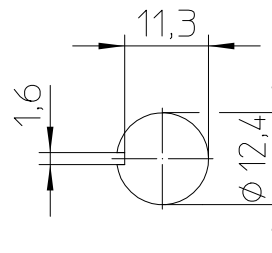
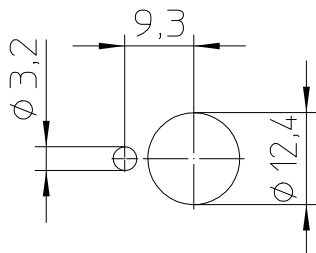
opposite keyway



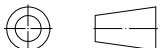
Mounting Detail

with locking ring

without locking ring



Third Angle Projection



For this drawing we reserve the copyright in accordance with DIN ISO 16016

	Date	Name
Create	10.11.2015	Stock
Edited	20.09.2019	Mielk
Check	23.09.2019	Stock

mm	Scale
	1:1
General Tolerances	
DIN ISO 2768 cL	



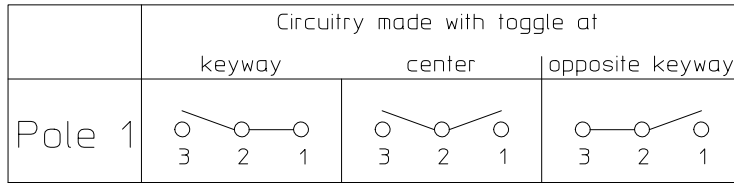
Drawing No:

07-1-2-17

NSN:

5930-12-191-3492

## Circuit Diagram



## Actuation

momentary keyway side  
locking center position  
momentary keyway side

## Construction

Material, Casing ..... Thermoplast GF  
 Material, Cover ..... GD-ZnAl4Cu1  
 Connections ..... Faston DIN 46 244-A6,3-0,8  
 Protection Interior ..... IP 6K5 DIN 40 050 Part 9  
 Connections ..... IP 00 DIN 40 050 Part 9

## Mechanical Data

Current carrying parts ..... CuZn-Alloy  
 Contacts ..... Ag  
 Ambient Temperature Range ..... -35°C to +60°C  
 Storage Temperature Range ..... -35°C to +80°C  
 Life Cycle (nominal Load) ..... 100.000 operations

## Electrical Data

Voltage 12 V DC ohmic Load ..... 20A  
 28 V DC ohmic Load ..... 15A  
 28 V DC inductive Load ..... at L/R = 5 ms 10A  
 28 V DC lamp Load ..... 4A  
 115 V AC ohmic Load ..... 15A  
 115 V AC inductive Load ..... cos.  $\varphi$  = 0,75, 7A  
 115 V AC lamp Load ..... 2A  
 Motor Load ..... utilisation category AC3 (see DIN VDE 0660 Part 107) 5A  
 Min. Rating ..... 12 V DC, 20 mA

It is recommended to use gold-plated contacts  
for lower currents or voltages.

For this drawing we reserve the copyright in accordance with DIN ISO 16016

	Date	Name	mm ↔	Scale 1:1		Drawing No:
Create	10.11.2015	Stock				
Edited	20.09.2019	Mielk	General Tolerances DIN ISO 2768 cL			
Check	23.09.2019	Stock				NSN: 5930-12-191-3492