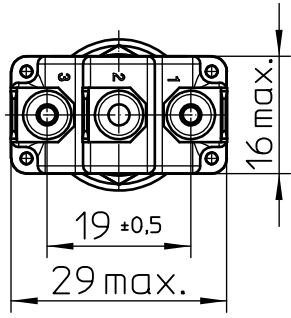
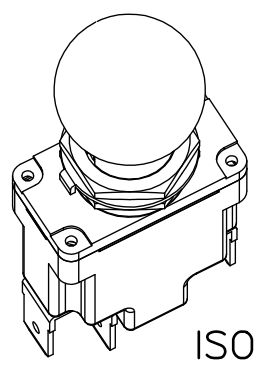
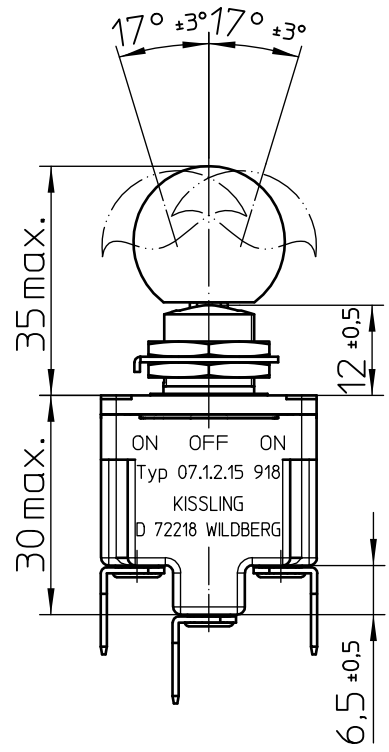
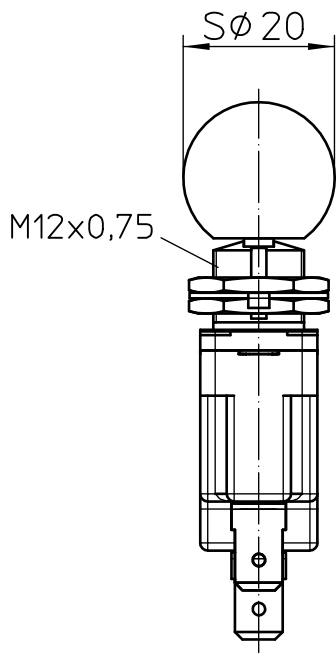


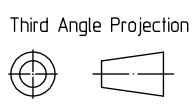
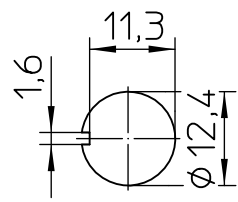
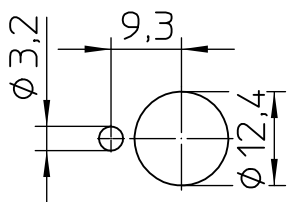
keyway                      opposite keyway



### Mounting Detail

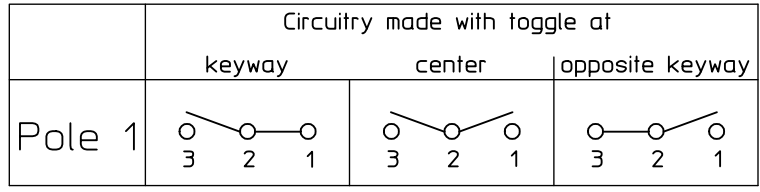
with locking ring

without locking ring



	Date	Name	mm	Scale	 Elektrotechnik - GmbH & Co KG D - 72218 Wildberg	Drawing No:
Drawn	21.08.2001	Kulli	←	1:1		07-1-2-15 918
Check	21.11.2005	Braun	General Tolerances DIN ISO 2768 mK			NSN.:

## Circuit Diagram



## Actuation

- locking keyway side
- locking center position
- locking opposite keyway side

## Construction

Material, Casing ..... Thermoplast GF  
 Material, Cover ..... GD-ZnAl4Cu1  
 Connections ..... Faston DIN 46 244-A6,3-0,8  
 Protection Interior ..... IP 6K5 DIN 40 050 Part 9  
 Connections ..... IP 00 DIN 40 050 Part 9

## Mechanical Data

Current carrying parts ..... CuZn-Alloy  
 Contacts ..... Ag  
 Ambient Temperature Range ..... -35°C to +60°C  
 Storage Temperature Range ..... -35°C to +80°C  
 Life Cycle (nominal Load) ..... 100.000 operations

## Electrical Data

Voltage 12 V DC ohmic Load ..... 20A  
 28 V DC ohmic Load ..... 20A  
 28 V DC inductive Load ..... at L/R = 5 ms 15A  
 28 V DC lamp Load ..... 5A  
 115 V AC ohmic Load ..... 15A  
 115 V AC inductive Load ..... cos. φ = 0,75, 10A  
 115 V AC lamp Load ..... 3A  
 Motor Load ..... utilisation category AC3 (see DIN VDE 0660 Part 107) 5A

Min. Rating ..... 12 V DC, 20 mA

It is recommended to use gold-plated contacts  
 for lower currents or voltages.

	Date	Name	mm ←	Scale 1:1		Drawing No: 07-1-2-15 918
Drawn	05.11.2003	Braun	General Tolerances			
Check	25.10.2004	Braun				NSN.: