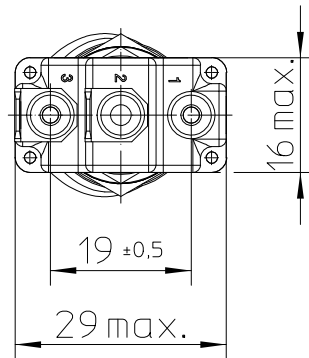
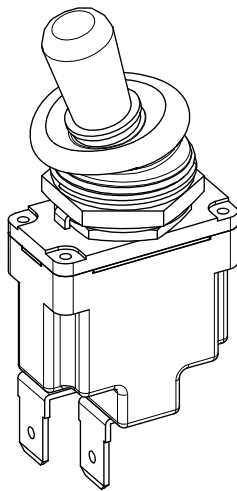
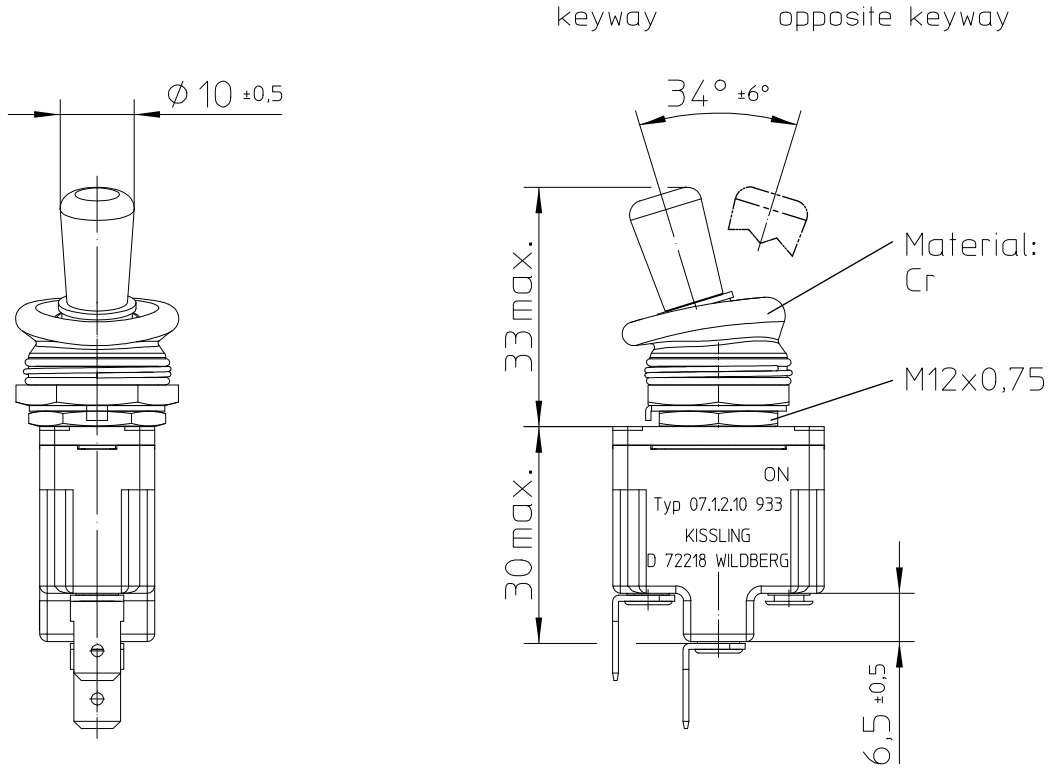


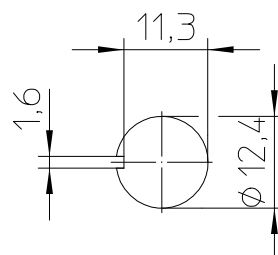
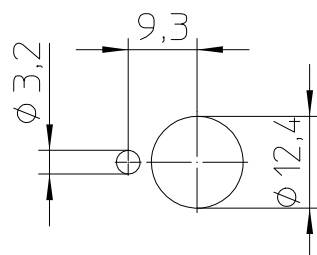
For this drawing we reserve the copyright in accordance with DIN ISO 16016



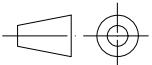
Mounting Detail

with locking ring

without locking ring



Third Angle Projection



	Date	Name
Create	18.02.2019	Stock
Edited	19.02.2019	WalzA
Check	19.02.2019	Stock

mm	Scale 1:1
General Tolerances DIN ISO 2768 cL	

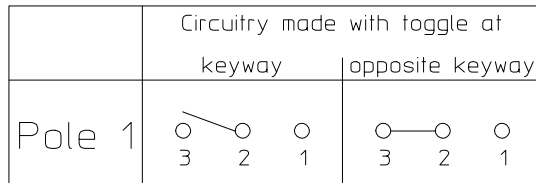


Drawing No:

07-1-2-10 933

NSN:

Circuit Diagram



Actuation

locking keyway side
locking opposite keyway side

Construction

Material, Casing Thermoplast GF
 Material, Cover GD-ZnAl4Cu1
 Connections Faston DIN 46 244-A6,3-0,8
 Protection Interior IP 6K5 DIN 40 050 Part 9
 Connections IP 00 DIN 40 050 Part 9

Mechanical Data

Current carrying parts CuZn-Alloy
 Contacts Ag
 Ambient Temperature Range -35°C to +60°C
 Storage Temperature Range -35°C to +60°C
 Life Cycle (nominal Load) 100.000 operations

Electrical Data

Voltage 12 V DC ohmic Load 20A
 28 V DC ohmic Load 20A
 28 V DC inductive Load at L/R = 5 ms 15A
 28 V DC lamp Load 5A
 115 V AC ohmic Load 15A
 115 V AC inductive Load $\cos. \Phi = 0,75, 10A$
 115 V AC lamp Load 3A
 Motor Load utilisation category AC3 (see DIN VDE 0660 Part 107) 5A
 Min. Rating 12 V DC, 20 mA

It is recommended to use gold-plated contacts
for lower currents or voltages.

For this drawing we reserve the copyright in accordance with DIN ISO 16016

	Date	Name		Scale 1:1		Drawing No:
Create	19.02.2019	Stock				General Tolerances DIN ISO 2768 cL
Edited	19.02.2019	Walza				
Check	19.02.2019	Stock	NSN:			