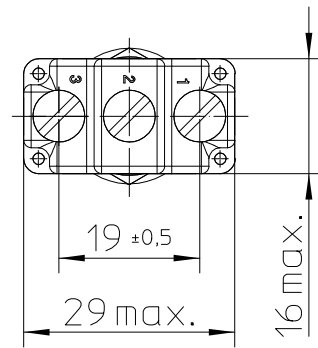
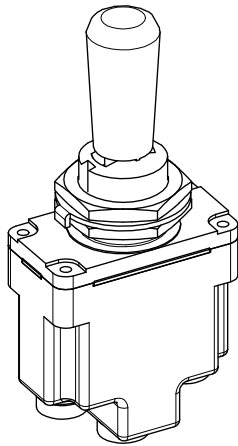
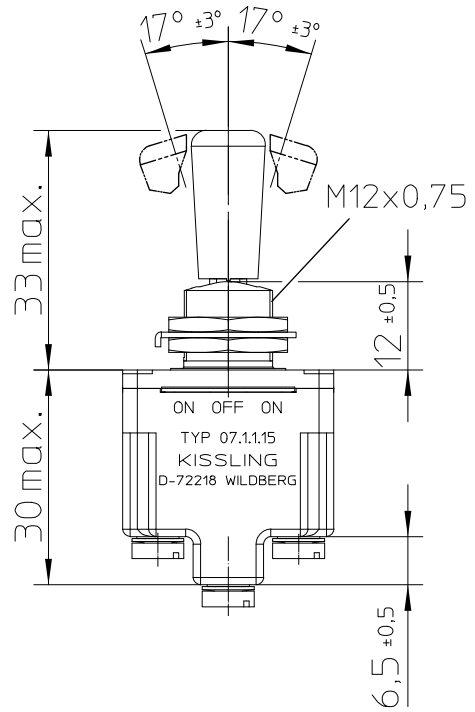
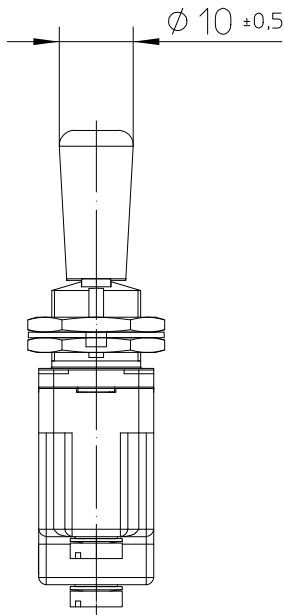


keyway

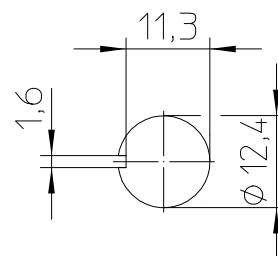
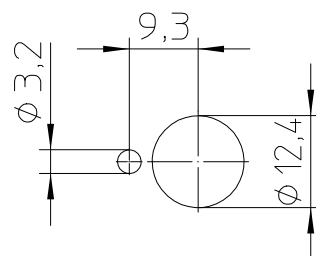
opposite keyway



## Mounting Detail

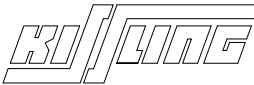
with locking ring

without locking ring

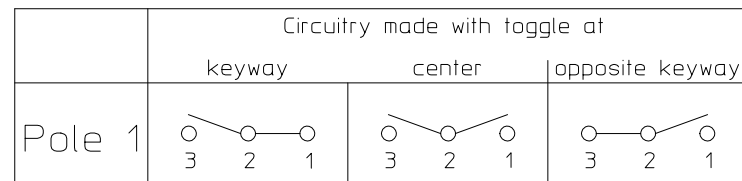


Third Angle Projection



	Date	Name	mm	Scale		Drawing No:
Drawn	30.09.2016	Stock		1:1		07-1-1-15
Check	30.09.2016	Stock	General Tolerances DIN ISO 2768 cL		NSN.:	

### Circuit Diagram



### Actuation

locking keyway side  
locking center position  
locking keyway side

### Construction

Material, Casing ..... Thermoplast GF  
Material, Cover ..... GD-ZnAl4Cu1  
Connections ..... Screws M3,5x6 ISO 1580  
Protection Interior ..... IP 6K5 DIN 40 050 Part 9  
Connections ..... IP 00 DIN 40 050 Part 9

### Mechanical Data

Current carrying parts ..... CuZn-Alloy  
Contacts ..... Ag  
Ambient Temperature Range ..... -35°C to +60°C  
Storage Temperature Range ..... -35°C to +80°C  
Life Cycle (nominal Load) ..... 100.000 operations

### Electrical Data

Voltage 12 V DC ohmic Load ..... 20A  
28 V DC ohmic Load ..... 20A  
28 V DC inductive Load ..... at L/R = 5 ms 15A  
28 V DC lamp Load ..... 5A  
115 V AC ohmic Load ..... 15A  
115 V AC inductive Load ..... cos. φ = 0,75, 10A  
115 V AC lamp Load ..... 3A  
Motor Load ..... utilisation category AC3 (see DIN VDE 0660 Part 107) 5A

Min. Rating ..... 12 V DC, 20 mA

It is recommended to use gold-plated contacts  
for lower currents or voltages.

Date	Name	mm	Scale		Drawing No:
30.09.2016	Stock	1:1	07-1-1-15		
General Tolerances					NSN:
30.09.2016	Stock	DIN ISO 2768 cL			

Date	Name	mm	Scale		Drawing No:
30.09.2016	Stock	1:1	07-071115-15		
General Tolerances					NSN:
30.09.2016	Stock	DIN ISO 2768 cL			