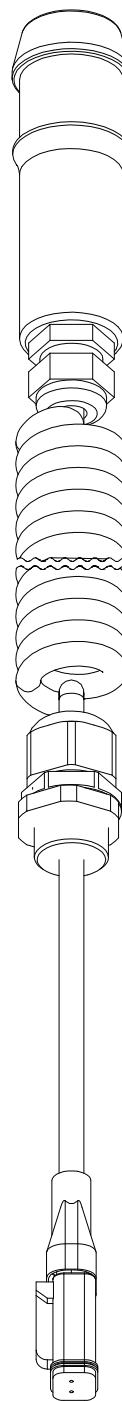
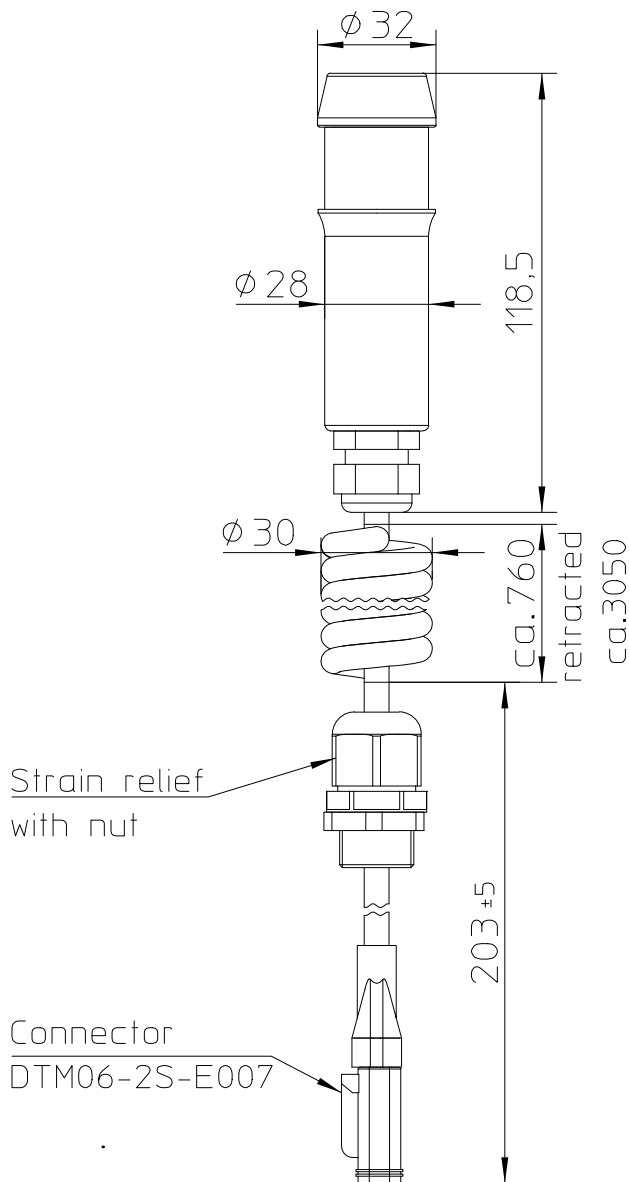


21029

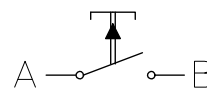
For this drawing we reserve the copyright in accordance with DIN ISO 16016



Characteristics

Housing material	Polyamid
Switch-insert.....	MZX; NO
Pre-travel	ca. 2,0mm
Movement differential	ca. 0,3mm
Total travel	ca. 2,5mm
Operating force	ca. 20N
Temperature range	-25°C to +70°C
Sealing DIN 40050	IP 69 K
Voltage	250 VAC/ 24 VDC
Current	15A (ohmic load)
Mechanical life	100 000 cycles
Electrical life	25 000 cycles

Circuit



	Date	Name
Create	23.10.2006	Stegm
Edited	26.01.2010	Drech
Check	02.11.2020	Stack

mm ↔	Scale 1:2
General Tolerances DIN ISO 2768 cL	



Drawing No:	06-66-102
NSN:	