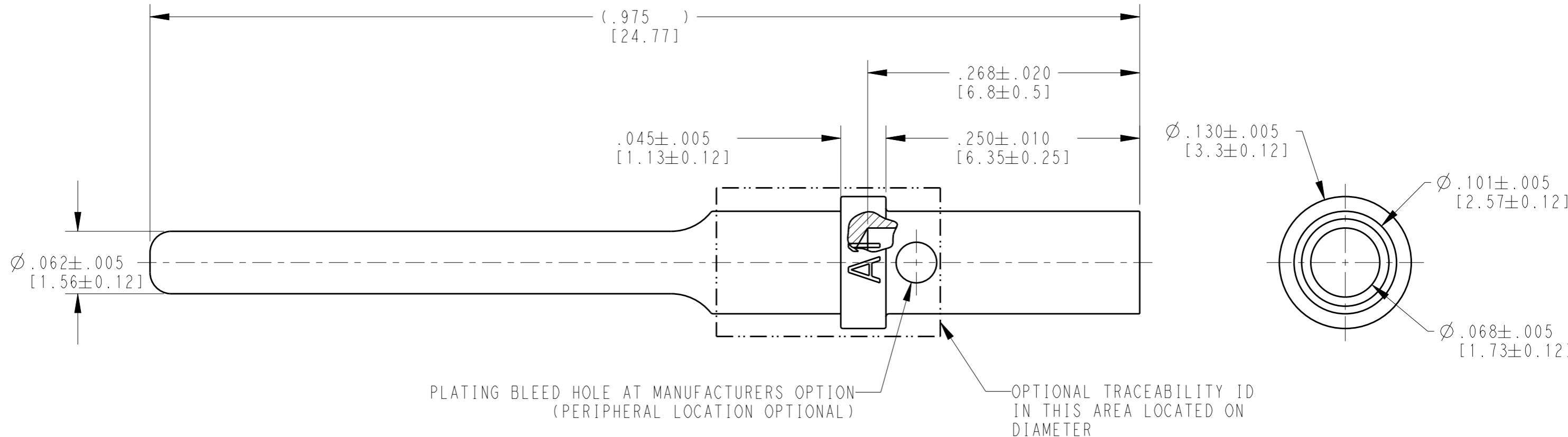


REVISIONS

P	LTR	DESCRIPTION	DATE	DWN	APVD
	NC	NEW RELEASE PER E.O. P15436	23SEP1997	JN	RDR
	A	REVISED PER PCN E-18-012207	31JUL2018	JA	DM
	A1	REVISED PER PCN E-19-018080	19NOV2019	MK	DM



TE INTERNAL PN	DEUTSCH PN	PLATING
0460-264-16141	0460-264-16141	NICKEL

THIS DRAWING IS A CONTROLLED DOCUMENT.		DWN J. NORRIS 23SEP1997	<b>TE</b> TE Connectivity		
DIMENSIONS: INCHES [mm]		CHK S. BEARD 23SEP1997			
TOLERANCES UNLESS OTHERWISE SPECIFIED:		APVD R. REED 23SEP1997	NAME CONTACT PIN, EXTENDED SIZE 16, 16-18 AWG WIRE HD SERIES		
0 PLC ± 1 PLC ± 2 PLC ± 3 PLC ± 4 PLC ± ANGLES ±		PRODUCT SPEC 108-151004	SIZE A3	CAGE CODE 4AFU8	DRAWING NO 0460-264-16XX
MATERIAL		APPLICATION SPEC 114-151004	RESTRICTED TO -		
FINISH		WEIGHT 0.63g	SCALE 10:1		
		CUSTOMER DRAWING	SHEET 1 OF 1		
			REV A1		

A1 2. SEE APPLICATION SPECIFICATION 114-151004 FOR CRIMP TOOLS AND WIRE RANGE

A1 1. DELETED.

NOTES: UNLESS OTHERWISE SPECIFIED