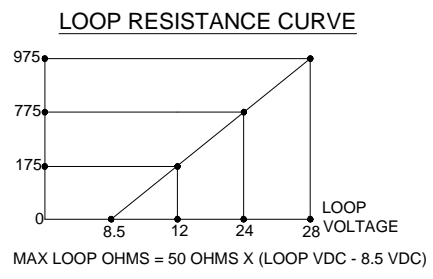
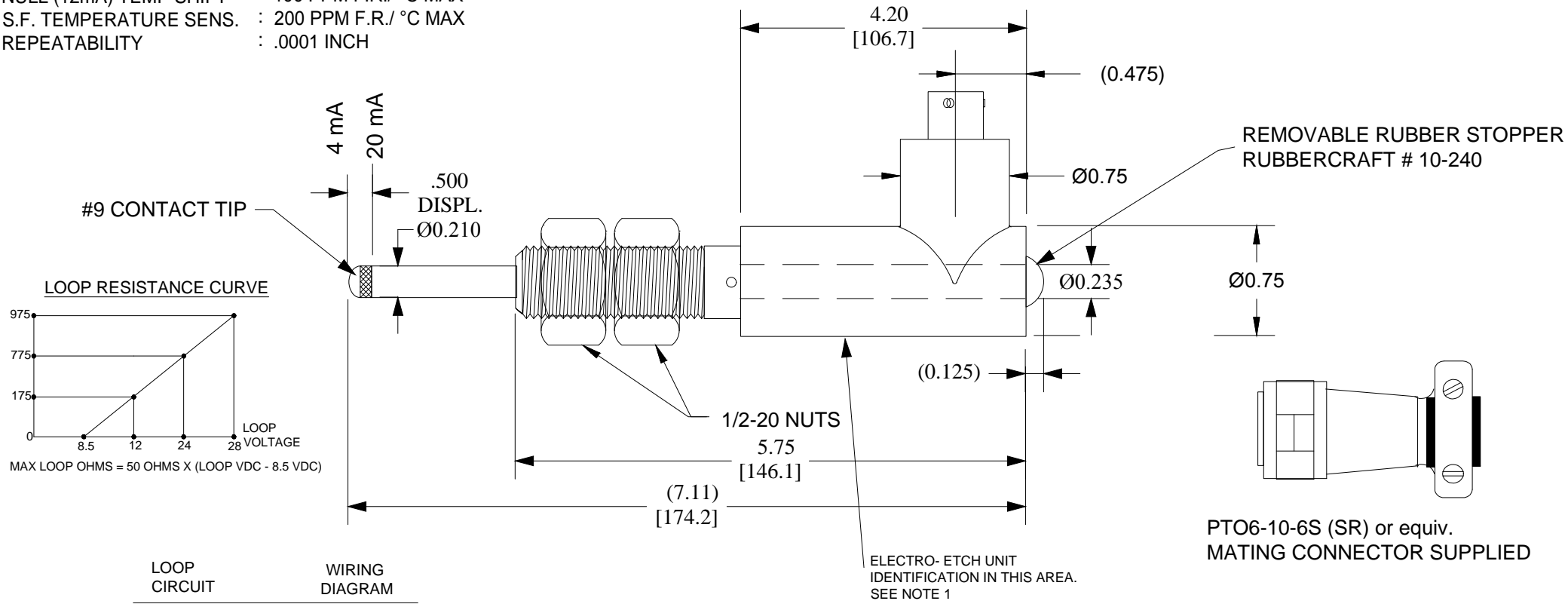


# SPECIFICATIONS

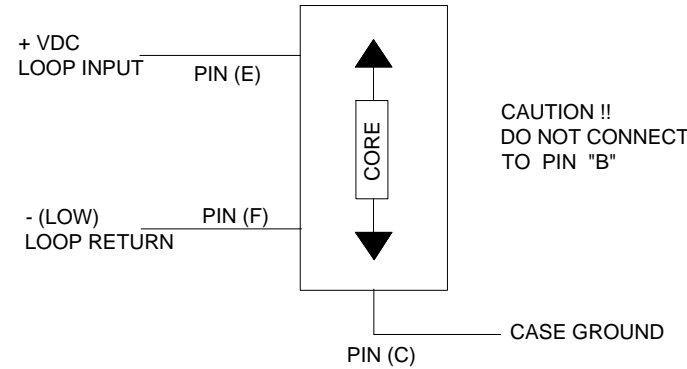
OUTPUT (NOM) : 4 - 20 mA  
 TEST INPUT VOLTAGE : 24 VDC  
 INPUT VOLTAGE RANGE : 9 - 28 VDC  
 ELECTRICAL STROKE : 0 - .500 INCH  
 OUTPUT at .250 INCH : 12 mA ±0.5% F.R. (SEE NOTE 2)  
 SCALE FACTOR : 32 mA / INCH ±1.0% (SEE NOTE 2)  
 LINEARITY ERROR : ±0.1 OF F.R. (SEE NOTE 2)  
 NOISE RIPPLE : < 5 uAMPS  
 OPERATING TEMPERATURE : -20° C TO 70° C (0° - 70°F)  
 NULL (12mA) TEMP SHIFT : 100 PPM F.R./ °C MAX  
 S.F. TEMPERATURE SENS. : 200 PPM F.R./ °C MAX  
 REPEATABILITY : .0001 INCH


**NOTES:**  
 1. ELECTRO-ETCH THE FOLLOWING:  
 TE CONNECTIVITY  
 HERMOSILLO, MEXICO  
 GHSIR 750 500  
 SERIAL NO. xxxxxx  
 CAUTION! DO NOT CONNECT TO PIN B  
 2. LEAST SQUARES BEST FIT STRAIGHT  
 LINE (BSFL) REFERENCED

REVISIONS			
REV.	DESCRIPTION	DATE:	APPR.
----	INITIAL RELEASE	----	----
A	REDRAWN WITH NO CHANGES	11/02/2020	



LOOP CIRCUIT      WIRING DIAGRAM



UNLESS OTHERWISE SPECIFIED ALL DIMENSIONS ARE IN INCHES TOLERANCES ARE: ANGLES: FRACTIONS: +/- 0.5 DEG.    +/- 1/64 .  DECIMAL: XX= +/- .01 .XXX= +/- .005	DRAFTSMAN: A.L.J.	DATE: 06 MAR 07	 TITLE <b>GHSIR 750 500          OUTLINE</b>			
	CHECKER:	DATE:				
	APPROVED:	DATE:	APPROVED:	DATE:	C.A.G.E. No. <b>A 06WW0</b>	DRAWING No. <b>032901030000</b>
	FINISH:	APPROVED:	DATE:	SCALE: NONE	SHEET No. 1 of 1	

MATERIAL: