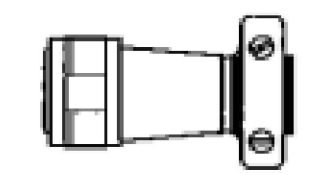
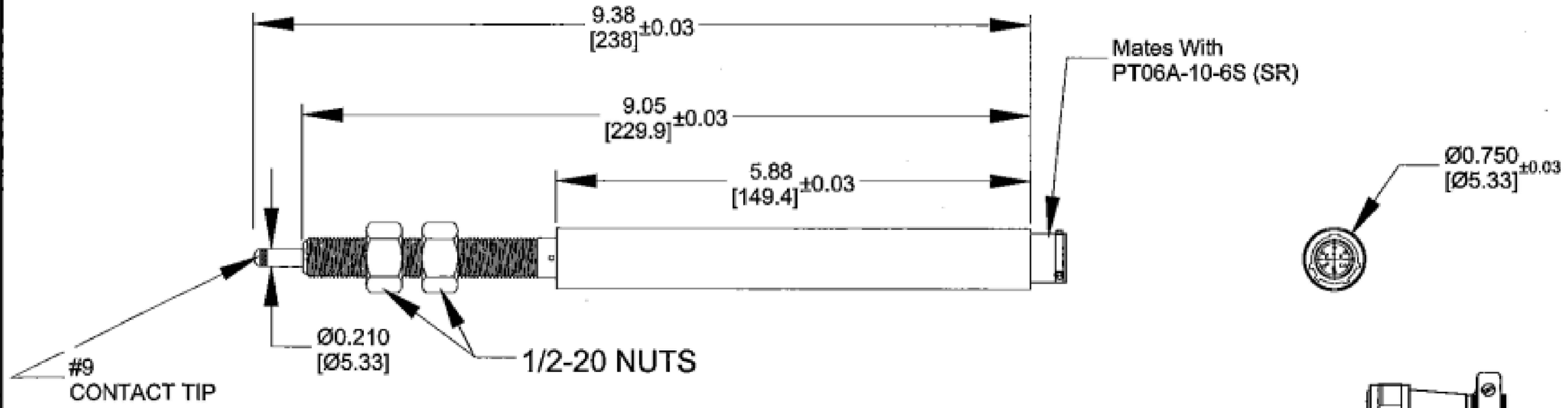


P	LTR	DESCRIPTION	DATE	DWN	APVD
	D	-	-	-	-

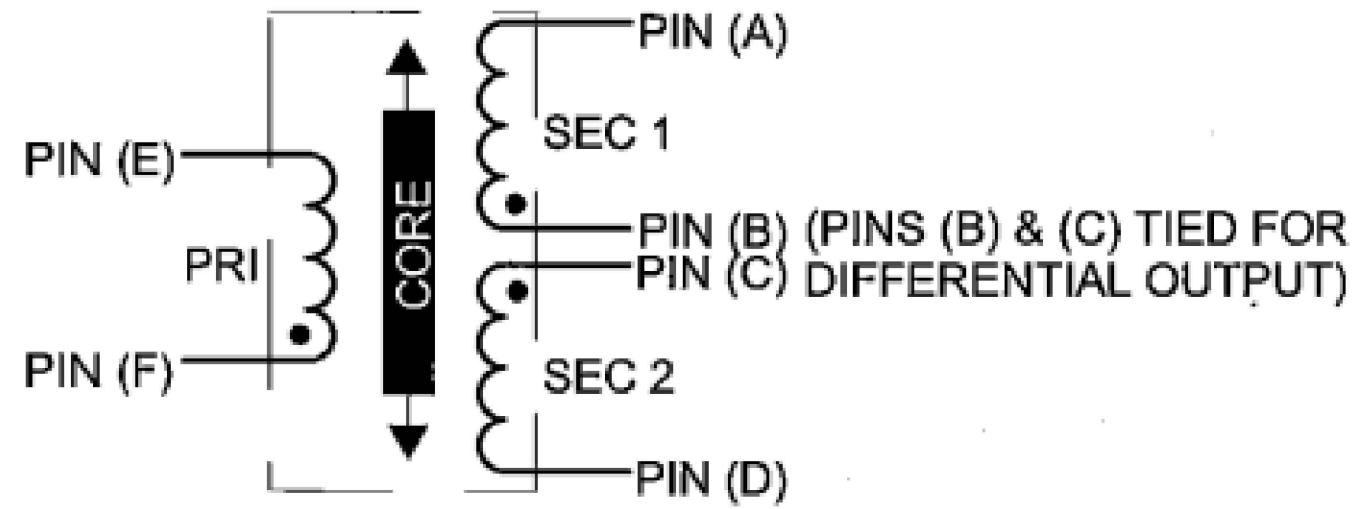
**SPECIFICATIONS**

INPUT VOLTAGE: 3.0 V rms (NOM)  
 INPUT FREQUENCY: 2.5 kHz (NOM)  
 ELECTRICAL STROKE: ± 0.500"  
 SENSITIVITY: 0.65 mV/VOLT/0.001"  
 LINEARITY: 0.25% OF FULL RANGE (MAX)  
 PHASE SHIFT: -1°  
 IMPEDANCE:  
 PRIMARY: 1200 OHMS (NOM)  
 SECONDARY: 650 OHMS (NOM)  
 OPERATING TEMPERATURE: 0 TO 221° F  
 REPEATABILITY: 0.00002"  
 SHOCK SURVIVAL: 1000 g's, 11ms  
 VIBRATION (DC TO 2000 Hz): 30 g's rms  
 PRE TRAVEL: 0.10" (NOM)  
 OVER TRAVEL: 0.08" (NOM)

REV.	DESCRIPTION	DATE	APPR.
A	REDRAWN & CORRECTED DWG NO. WAS 030910040000	2/9/96	R.E.A.
B	SHORTENED ALL LENGTHS .040" ECR/ECN # 222	6/28/00	R.E.A.
C	REVISED OVER STROKE PER ECR/ECN #615.	10/23/03	R.E.A.
D	ECR/ECN # 671 9.38 [238] WAS 9.54 [242.3]	1/20/05	R.E.A.



PT06-10-6S (SR) OR EQUIV.  
 MATING CONNECTOR SUPPLIED



WIRING DIAGRAM

MATERIAL:

[ ] DENOTES MILLIMETER

UNLESS OTHERWISE SPECIFIED ALL DIMENSIONS ARE IN INCHES TOLERANCES ARE: ANGLES: ±0.5 DEG. DECIMAL: ±0.001 <small>TE Connectivity and the Macro Sensors logo are the property of Macro Sensors, Inc. or Howard A. Schaeffler Technologies, Inc. NO NOT COPY without the written approval of Macro Sensors.</small>	DRAFTSMAN: R.E.A.	DATE: 7 APR 96	<b>Macro Sensors</b> Div. of Howard A. Schaeffler Technologies, Inc.	
	CHECKER: .	DATE:		
	APPROVED:	DATE:	TITLE GHSA 750 500 OUTLINE	
	APPROVED:	DATE:	C.A.G.E. No. <b>A 06WW0</b>	DRAWING No. 030900040000
FINISH:	APPROVED:	DATE:	SCALE: NONE	SHEET No. 1 of 1

THIS DRAWING IS A CONTROLLED DOCUMENT.		DWN	-		TE Connectivity		
DIMENSIONS: INCHES		CHK	-		NAME		
TOLERANCES UNLESS OTHERWISE SPECIFIED:		APVD	-		GHSA 750 500 OUTLINE		
0 PLC ± - 1 PLC ± - 2 PLC ± - 3 PLC ± - 4 PLC ± - ANGLES ± -		PRODUCT SPEC	-		SIZE	CAGE CODE	DRAWING NO
MATERIAL	FINISH	APPLICATION SPEC	-	A2	00779	C=030900040000	
		WEIGHT	-	CUSTOMER DRAWING		RESTRICTED TO	
		SCALE	NTS	SHEET 1 of 1		REV D	

030900040000