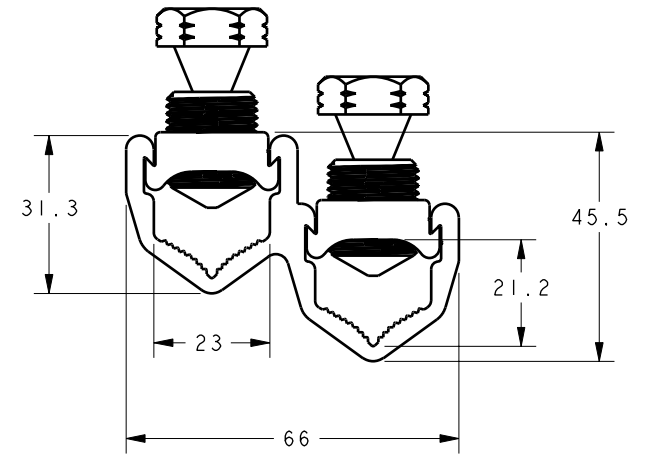
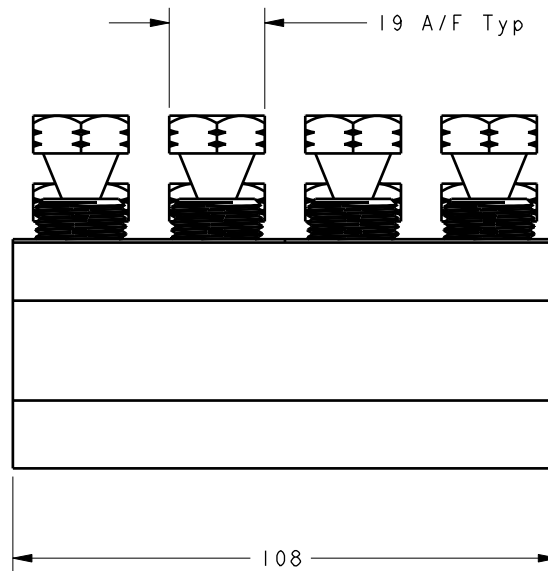
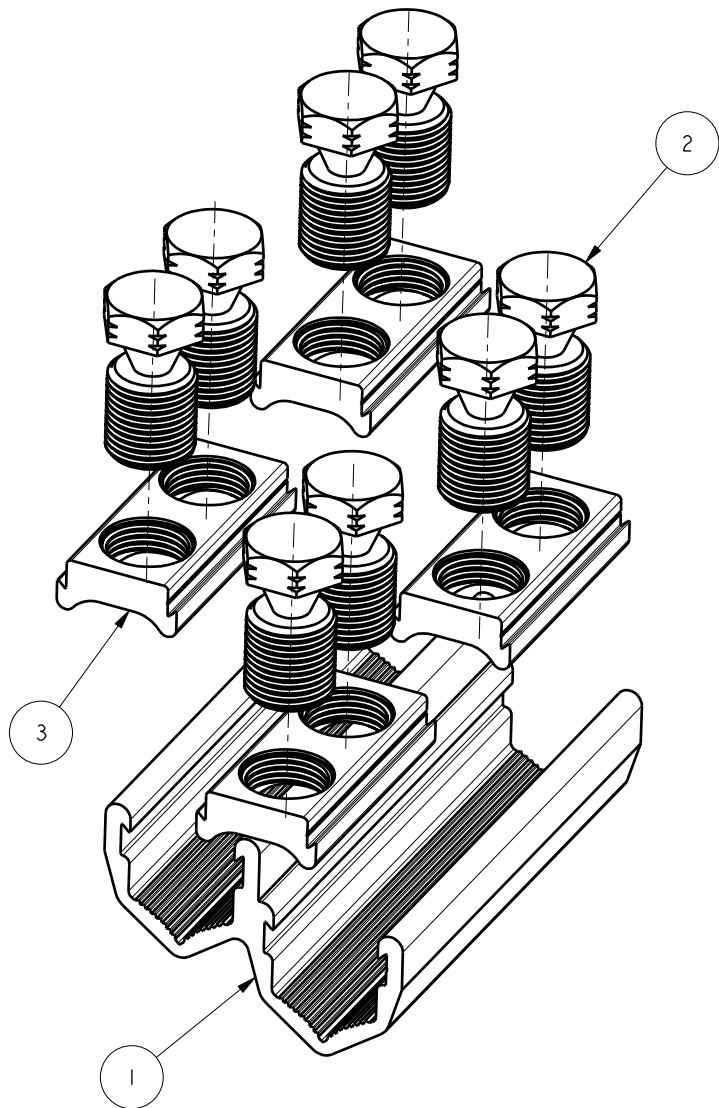


ITEM	PART/DRG NO	QTY	DESCRIPTION
1	01-300-0013	1	UNIVERSAL 185mm ² BRANCH BOTTOM INSERT (8 BOLT)
2	01-700-0057	8	M18x1.5 19 A/F 39.5 LONG ALUMINIUM SINGLE-SHEAR BOLT
3	01-710-0021	4	UNIVERSAL 185mm ² TOP INSERT (2 BOLT)



D	PART No WAS UBR185-4, DRG No WAS B02-A00-A28	S.P.W	30.8.01
C	EXTRUSION REVISED - ITEM 1 & 3	S.P.W	1.3.01
B	PART No REVISED	S.P.W	26.6.00
A	FIRST ISSUE	S.P.W	5.5.00
Revision	Description	Name/ECN	Date
Design/Drawn	S.P.WEST	Date	05-May-00
Checked by	Approved by	Scale (UOS)	2:3
Drawing/Part No.	02-300-0043	Drawing Type	ASSEMBLY/CUSTOMER
			Revision D

Issued to: Commercial Quality Stores Production

tyco Electronics
 Tyco Electronics UK Ltd
 Aldridge Site
 Middlemore Lane West
 Aldridge
 West Midlands WS9 8EA
 Phone: +44(0)1922 743993
 Fax: +44(0)1922 744150

Material **VARIES**
 Finish **VARIES**
 Tolerances (UOS) ±-
 B&H Short Desc. **UBR185-4**

IF IN DOUBT ASK - DO NOT SCALE
 Part Description
UNIVERSAL 185mm² BRANCH CONNECTOR (8 BOLT)

A4
 THIRD ANGLE PROJECTION